

## PMA KS 45

### Universal industrial controller

#### Overview

The universal KS 45 controllers are designed to provide precise and cost-effective temperature control in practically all branches of industry. The controller output is configurable as signaller, 2-point or continuous PID control, 3-point control with optional split range, and 3-point stepping control.

A universal input is provided for the process value signal. A second analogue input is available for heating current measurement or for an external set-point signal. Every KS 45 has at least one universal input and two switching outputs. Depending on the version, the controller has a universal output or opto coupler outputs. The universal output is configurable as a voltage or current signal, for controlling solid-state relays, or as a transmitter supply signal. Galvanic isolation is provided between inputs and outputs as well as from the supply voltage and the communication interfaces.



#### Key Features

- Compact design, only 22.5 mm (0.87") wide
- Clips onto top-hat DIN rail
- Plug-in screw terminals or spring-clamp connectors
- Dual-line LC display with additional display elements
- Convenient 3-key operation
- Direct communication between mounted controllers, fieldbus connections via bus coupler -simple integration into PLC / PC
- Universal input
- Second analog input -external setpoint or heating current
- Universal high-resolution output as combined voltage/current output
- Two output relays or optocoupler outputs
- Fast 100 ms response rate
- 2-point, 3-point, 3-point stepping, continuous output
- Self-tuning

#### Description

##### **Mounting**

The compact KS 45 is clipped onto a top-hat DIN rail, and can also be unmounted very simply. All connections are of the plug-in type, so that a controller can be replaced very quickly without detaching the wiring.

##### **Display and operation**

The dual-line LC display allows simultaneous indication of the measured value and all of the unit's operating functions. Moreover, a LED and 4 other display elements give a reliable indication of operating status, operating mode, and error messages. By means of the extended Operating Level, it is possible to show any signal or parameter in the 2nd display line.

##### **Interfaces and Engineering Tools**

The controller settings are also configurable by means of an Engineering Tool. Via the BlueControl® software (which includes a controller simulation), and especially the convenient connection via the BluePort® front interface, the user can solve the task in hand without having to work through operating instructions. Of course, practically all settings can also be made from the controller front.

Moreover, the KS 45 can exchange data with superordinate systems and PCs via an optional RS 485 interface with Modbus RTU protocol that is fitted into the top-hat DIN rail. Devices with option system interface can be connected via bus coupler to fieldbusses.

##### **Password protection**

If required, unauthorized access to the various Operating Levels can be prevented with a password, or an entire level can be blocked.

## TECHNICAL DATA

### INPUTS

#### Survey of inputs

Abstract	Purpose
INP1	As INP2 default; X1 (process value 1), universal input
INP2 (mA DC)	External setpoint, heating current; Process value X1; Input for additional limit monitoring and display
INP2 (mA AC) (option)	External setpoint, heating current; Process value X1; Input for additional limit monitoring and display
INP2 (uni-versal) (option)	X2 (process value 2), universal input, external setpoint, Process value X1; Input for additional limit monitoring and display
di1	Operation disabled; Reset of stored alarms; Switch-over to 2nd setpoint SP.2, external setpoint, fixed output value Y.2, manual operation, controller 'off', 2nd process value.

#### UNIVERSAL INPUT INP1

Resolution:	>14 bits
Decimal point:	0 to 3 decimals
Digital input filter:	adjustable 0.0..999.9 s
Scanning cycle:	100 ms
Linearization:	15 segments, adaptable with BlueControl®
Measurement value correction:	2-point or offset
Type:	single-ended (except for thermocouples)

#### Thermocouples (Table 1)

Input resistance:	≥1 MΩ
Influence of source resistance:	1 μV/Ω
Input circuit monitor:	sensor break, polarity

#### Cold-junction compensation

- Internal
  - additional error: typical ≤± 0.5 K
  - max. ≤+1.2 K
- External: 0 ...100 °C

#### Break monitoring

Sensor current:	≤1 μA
Operating sense configurable	

#### Resistance thermometer (Table 2)

Connection	3-wire or 4-wire (not available if using INP2)
Lead resistance:	max. 30 Ω (for max. end of span)
Input circuit monitoring:	break and short circuit

#### Measurement span

Separated into ranges	
Physical measurement range:	0...4,500 Ω
The BlueControl® software enables the internal characteristic curve for the KTY 11-6 temperature sensor to be adapted.	

#### Current and voltage measurement (Table 3)

Span start and span:	anywhere within the measurement range
Scaling:	freely selectable, -1,999...9,999
Input circuit monitoring (current):	12.5% below span start (2 mA)

Table 1: Thermocouple input

Thermocouple type		Measurement range		Error	Typical resol.(Ø)
L	Fe-CuNi (DIN)	-100...900°C	-148...1,652°F	≤ 2K	0.1 K
J	Fe-CuNi	-100...1,200°C	-148...2,192°F	≤ 2K	0.1 K
K	NiCr-Ni	-100...1,350°C	-148...2,462°F	≤ 2K	0.2 K
N	Nicrosil/Nisil	-100...1,300°C	-148...2,372°F	≤ 2K	0.2 K
S	PtRh-Pt 10%	0...1,760°C	32...3,200°F	≤ 2K	0.2 K
R	PtRh-Pt 13%	0...1,760°C	32...3,200°F	≤ 2K	0.2 K
T**	Cu-CuNi	-200...400°C	-328...752°F	≤ 2K	0.05 K
C	W5%Re-W26%Re	0...2,315°C	32...4,199°F	≤ 3K	0.4 K
D	W3%Re-W25%Re	0...2,315°C	32...4,199°F	≤ 3K	0.4 K
E	NiCr-CuNi	-100...1,000°C	-148...1,832°F	≤ 2K	0.1 K
B*	PtRh-Pt6%	0(400)...1,820°C	32(752)...3,308°F	≤ 3K	0.3 K
Special		-25 ... 75 mV		≤ 0.1%	0.01%

\* Values apply from 400°C upwards.

\*\*Values apply from -80°C upwards.

Table 2: Resistive inputs

Type	Sensor current	Measurement range		Error	Typical resol. (Ø)
Pt100***	≤ 0,25 mA	-200..100(150)°C	-328...212(302)°F	≤ 1 K	0.1 K
Pt100		-200...850°C	-328...1,562°F	≤ 1 K	0.1 K
Pt1000		-200...850°C	-328...1,562°F	≤ 2 K	0.1 K
KTY 11-6*		-50...150°C	-58...302°F	≤ 2 K	0.1 K
Special*		0...4,500 Ω**		≤ 0.1%	0.01%
Special*		0...450 Ω**		≤ 0.1%	0.01%
Poti		0...160 Ω**		≤ 0.1%	0.01%
Poti		0...450 Ω**		≤ 0.1%	0.01%
Poti		0...1,600 Ω**		≤ 0.1%	0.01%
Poti		0...4,500 Ω**		≤ 0.1%	0.01%

\* Default setting is the characteristic for KTY 11-6 (-50...150°C)

\*\* Including lead resistance

\*\*\* up to 150°C at reduced lead resistance (max. 160 Ω)

Table 3: Current and voltage input

Measurement range	Input resistance	Error	Typical resol.(Ø)
0...10 Volt	≈ 110 kΩ	β 0.1 %	0.6 mV
-10...10 Volt	≈ 110 kΩ	β 0.1 %	1.2 mV
-5...5 Volt	≈ 110 kΩ	β 0.1 %	0.6 mV
-2.5...115mV*	>1 MΩ	β 0.1 %	6 μV
-25...1150mV*	>1 MΩ	β 0.1 %	60 μV
-25...90mV*	>1 MΩ	β 0.1 %	8 μV
-500...500mV*	>1 MΩ	β 0.1 %	80μV
-200...200mV*	>1 MΩ	β 0.1 %	40μV
0-20 mA	20 Ω	β 0.1 %	1.5 μA

\*For INP1: high-impedance, without break monitoring

for INP2: high impedance, break monitoring always active

## O2- measuring (option)

EMI-measuring by means of INP1

(high-impedance mV-inputs) suitable for probes with

- constant sensor temperature (heated probes), setting by means of parameter
- measured sensor temperature (non-heated probes), measuring by means of INP2

### ADDITIONAL INPUT INP2 (CURRENT)

Resolution: >14 bits  
 Digital input filter: adjustable, 0.0..999.9 s  
 Scanning cycle: 100 ms  
 Linearization: as for INP1  
 Measurement value correction: 2-point or offset  
 Type: single-ended

### Current measurement

Input resistance: approx. 49Ω  
 Span start and span: anywhere between 0 and 20  
 Scaling: freely selectable, -1,999...9,999  
 Input circuit monitoring: 12,5% below span start (2 mA)

### Heating current measurement

(via current transformer)

Input resistance: approx. 49Ω  
 Measurement span: 0...50 mA AC  
 Scaling: freely selectable, -1,999..999.9 A

### ADDITIONAL INPUT INP2 (UNIVERSAL, OPTION)

Resolution: >14 bits  
 Digital input filter: adjustable, 0.0..9,999 s  
 Scanning cycle: 100 ms  
 Linearization: as for INP1  
 Measurement value correction: 2-point or offset  
 Type: single-ended except thermocouples

### Thermocouples (Table 1)

#### Cold-junction compensation

- Internal
  - additional error:
    - typical:  $\leq \pm 0.5$  K
    - max.:  $\leq 2.5$  K
- External 0...100 °C

### Resistive sensors (Table 2)

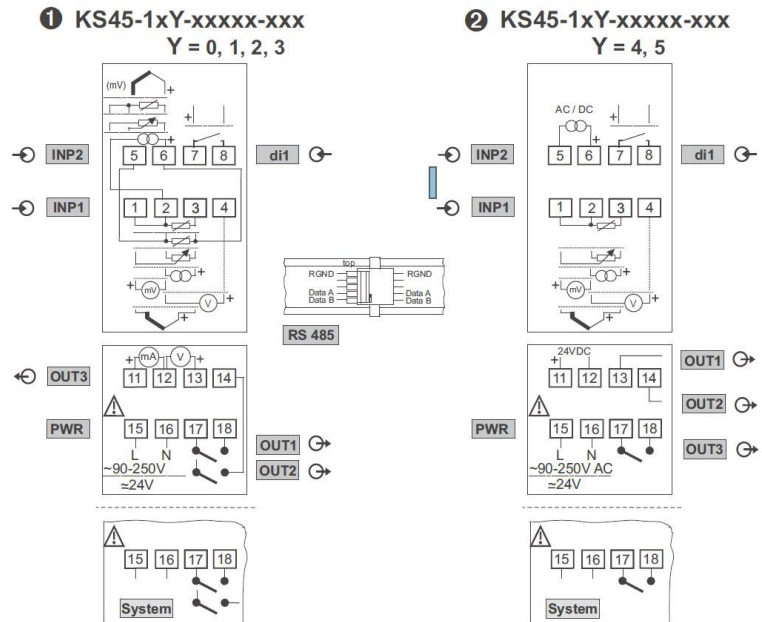
Connection technique: 3-wire  
 Measurement span  
 Remaining technical data as for INP1.

### Current and voltage measurement (Table 3)

Remaining technical data as for INP1 except:

- Voltage input ranges -10 / 0...+10V and -5...+5V not possible.
- Millivolt input ranges: break monitoring always active.

Fig. 1: Connecting diagram (1 = Version 1, 2 = Version 2)



### CONTROL INPUT DI1

Configurable as direct or inverse switch or **push button!**

#### Contact input

Connection of potential-free contact that is suitable for switching 'dry' circuits.

Switched voltage: 5 V  
 Switched current: 1 mA

#### Optocoupler input

For active control signals.  
 Nominal voltage: 24 V DC, external supply  
 Logic '0': -3...5 V  
 Logic '1': 15...30 V  
 Current demand: max. 6 mA

### Current and voltage measurement (Table 3)

Remaining technical data as for INP1 except:

- Voltage input ranges -10 / 0...+10V and -5...+5V not possible.
- Millivolt input ranges: break monitoring always active.

### CONTROL INPUT DI1

Configurable as direct or inverse switch or **push button!**

#### Contact input

Connection of potential-free contact that is suitable for switching 'dry' circuits.

Switched voltage: 5 V  
 Switched current: 1 mA

#### Optocoupler input

For active control signals.  
 Nominal voltage: 24 V DC, external supply  
 Logic '0': -3...5 V  
 Logic '1': 15...30 V  
 Current demand: max. 6 mA

### OUTPUTS

#### SURVEY OF OUTPUTS

Output	Purpose
OUT1, OUT2 (relay, optional optocoupler)	Control output 'heating' or 'cooling' (relay or optional optocoupler) Program-mer 'End' *
OUT3 (logic or optional relay)	Same as OUT1 and OUT2
OUT3 (continuous)	Control output; Process value; Set- point; Control deviation; Measurement values of INP1/ INP2; Transmitter supply

\*All logic signals can be "OR-linked".

Output values can also be forced via interface.

### RELAY OUTPUTS OUT1, OUT2, OUT3

Contact type: normally open \*  
 Max. contact rating: 500 VA, 250 V, 2A resistive load, 48...62 Hz,  
 Min. contact rating: 6V, 1 mA DC  
 Switching for I=1A/2A: ? 800,000/500,000 cycles (at 250V AC, resistive load) (electrical):

\* Versions with two relays OUT1 & OUT2 have a common terminal.

#### Note:

If the relays OUT1, 2 and 3 are used to operate external contactors, these must be fitted with RC snubber circuits to manufacturer specifications to prevent excessive voltage peaks at switch-off.

**OPTOCOUPLER OUTPUTS OUT1, OUT2 (OPTIONAL)**

Grounded load: common 'plus' control voltage  
 Switch rating: 18...32 V DC; max. 70 mA  
 Internal voltage drop: ≤1V at I<sub>max</sub>  
 Protective circuits: fitted as standard for short circuit, reversed polarity.

**Note:**

A free-wheel diode has to be fitted for inductive loads externally.

**OUT3 AS UNIVERSAL OUTPUT**

Parallel current/voltage output with common 'minus' terminal (combined use only in galvanically isolated circuits).

Freely scalable

Resolution: 14 bits  
 Tracking error I/U: ≤ 2%  
 Cut-off frequency: > 2 Hz  
 (continuous controller)  
 Residual ripple: ≤ ±1%  
 (rel. to range end) 0...130kHz

**Current output**

0/4...20 mA, configurable, short-circuit proof.

Control range: -0.5...23 mA  
 Load: ≤ 700 Ω  
 Load effect: ≤ 0.02%  
 Resolution: ≤ 1.5 μA  
 Error: ≤ 0.1%

**Voltage output**

0/2...10V, configurable, not permanently short-circuit proof

Control range: -0.15...V  
 Load: ≥ 2 kΩ  
 Load effect: ≤ 0.06%  
 Resolution: ≤ 0.75 mV  
 Error: ≤ 0.1%

Additional error when using simultaneously the current output ≤ +0.09%

**OUT3 as transmitter supply**

Output: 22 mA / ≥13V DC

**OUT3 as logic signal**

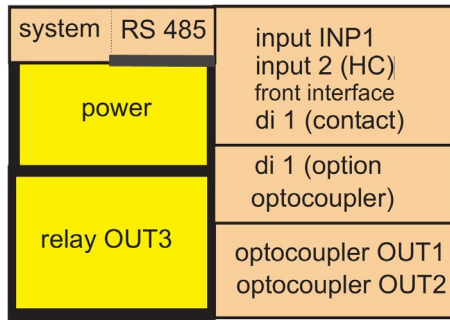
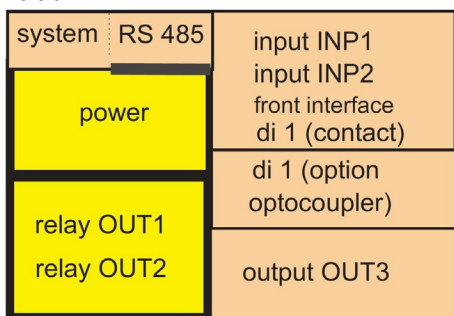
Load ≤ 700 Ω 0/≤ 23 mA  
 Load > 500 Ω 0/> 13 V

**GALVANIC ISOLATION**

Galvanic isolation is provided between inputs and outputs as well as from the supply voltage (3-port-isolation).

Fig. 2: Galvanic isolation

Version 1



— Safety isolation  
 — functional isolation

**Test voltage:**

Between power supply and in-/outputs: 2.3 kV AC, 1 min

Between input and output: 500 V AC; 1min

Isolation between in-/output against earth: ≤ 33V AC

**FUNCTIONS**

**Control behaviour**

- Signaller with adjustable switching differential (On/Off control)
- PID controller (two-point and continuous)
- Delta / Star / Off, or two-point controller with full/partial load switchover
- 2 x PID control (Heating / Cooling, three-point, and continuous)
- Three-point stepping controller Control parameters are adjusted automatically (self-tuning) or manually via the front panel or using the BlueControl® software package.

The KS 45 has been prepared for connecting PMATune, in order to determine the optimum control parameters, also with difficult control loops.

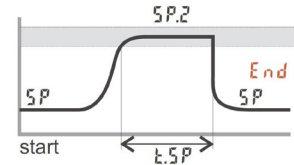
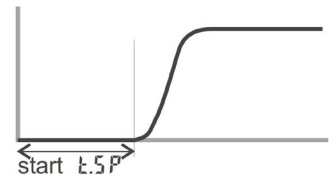
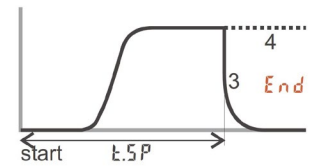
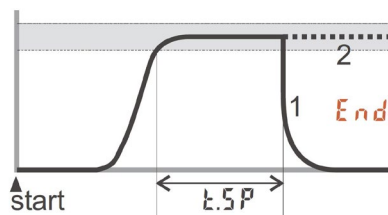
**Setpoint functions**

- Adjustable setpoint gradient 0.01...9,999 per minute
- Setpoint control
- Master/Slave control
- Program control with 4 segments (setpoint/segment times)Timer
- Setpoint/Program control with external shift

**Timer**

Time t.SP is adjustable from 0.1 to 9,999 minutes. Timer start

- On power up
- Via control input
- Selection in extended Operating Level
- Direct selection of timer setting



**Programmer**

- 4 segments, can be disabled
- Programmed time up to 9,999 minutes/segment
- Start at process value
- Program start via digital input or front panel

**Process value functions**

- Standard (process value X1)  
Optionally:
- Ratio control ((X1 + offset)/X2)
- Difference control (X1 - X2)
- Max. value selection from X1, X2
- Min. value selection from X1, X2
- Mean value selection from X1, X2
- Switchover between X1 and X2
- Oxygen measurement\* with measured or constant sensor temperature

\* Precise determination of O<sub>2</sub> content by means of Nernst equation.

### Signal manipulation

Depending on the selected sensor type, the following options are provided for manipulating the input signal:

Measurement value correction (offset and 2-point)

- Scaling
- 1st-order filter
- Linearization with 15 segments
- Substitute value in case of an error

### Behaviour on sensor break/short circuit

- Controller outputs disabled (off)
- Output of a fixed safety value
- Output of a calculated mean value (PID controllers)
- Preset substitute input value, can be disabled

### Display of engineering units

The engineering unit for the measured value can either be selected from a predefined list of standard units, or it can be defined by the user (BlueControl®). The unit appears in the second line of the display.

### LIMIT VALUE FUNCTIONS

Max, Min or Max/Min monitoring with adjustable hysteresis.

#### Monitored signals

- Process value
- Control deviation (with suppression during start-up or setpoint changes)
- Input 1, Input 2
- Setpoint
- Output value

#### Function

- Input value monitoring
- Input value monitoring with storage, and reset via front panel or digital input  
Several limit values and alarm messages can be logically "OR-linked"
- Applications: Releasing a brake on motor actuators, generating a common alarm, etc.
- Limit signals can be used as control input.

### ALARMS

#### Heating current alarm

- Overload & short circuit
- Open circuit & short circuit

Limit: adjustable, 0 ... 9,999A

#### Open control loop

Automatic detection, if there is no response from the process after a change in output value.

Sensor break / short circuit

Depending on the selected input type, the input circuit is monitored for break, short circuit, and

reversed polarity.

### MAINTENANCE MANAGER

Display of error messages, warnings, and stored limit value messages in the error list. Messages are stored, and can be reset manually.

Possible elements in the error list:

Sensor break, short circuit, incorrect polarity
Stored limit values
Heating current alarm
Control loop alarm
Fault during self-tuning
E.g. Re-calibration warning (message is generated when a predefined operating time is reached)
E.g. Maintenance interval for a switching device (message is generated when a predefined number of switching cycles is reached)
Internal fault (RAM, EEPROM, ...)

### DISPLAY AND OPERATION

#### Display

##### LCD

dual-line plus additional display elements

##### Upper line

4 digits, 7-segment LCD for process value

##### Lower line

5 digits, 14-segment LCD; configurable contents (via BlueControl®)

- Setpoint
- Output value
- Engineering unit
- Parameters
- Extended Operating Level

#### Additional display elements

4 display elements (bars in the lower line of the LCD)

- Marked 1 & 2: OUT1 / OUT2
- Marked M: Manual operating mode
- Marked E: Entry has been made in the error list

#### LED

Dual-colour indicator Green: OK  
Green, blinking: no data exchange with bus coupler (only for devices with system option)  
Red: limit value Lim1 exceeded  
Red, blinking: internal fault, configuration mismatch

#### Operating functions

Only three keys at the front of the KS 45 are used to operate process values, parameters, and configuration data. Different Operating Levels and selected parameters can be disabled by means of BlueControl®.

#### Switchover functions

- Display and operation of switchovers (adjustable via BlueControl®)
- Permanent display in lower LCD line
- In the extended Operating Level

**A-M** Operating function for simple auto/manual switchover

**Func** Operating function for simple switchover of signals, e.g. 2nd setpoint, controller off, etc.

**ProG** Operating function for simple starting/ stopping of the programmer

### POWER SUPPLY

Depending on ordered version:

#### AC supply

Voltage: 90...250 V AC  
Frequency: 48...62 Hz  
Consumption: approx. 9 VA max.

#### Universal supply 24 V UC\*

AC supply: 18...30 V AC  
Frequency: 48...62 Hz  
DC supply: 18...31 V DC  
Consumption: approx. 4 VA / 3W max.  
Supply only with protective low voltage (SELV)

\*Devices with system option:

They are supplied via the bus connector from bus coupler or power supply module.

#### Behaviour with power failure

Configuration and parameter settings: Permanent storage in EEPROM

## BLUEPORT® FRONT INTERFACE

Connection to the controller front via a PC adapter (see 'Additional Accessories'). The BlueControl® software enables the KS 45 to be configured, parameters set, and operated.

## BUS INTERFACE (OPTIONAL)

### RS 485

Connection via bus connector fitted in the top-hat rail. Screened cables should be used.

Galvanically isolated

Type: RS 485  
 Transmission speed: 2,400, 4,800, 9,600, 19,200, 38,400 bits/sec  
 Parity: even, odd, none  
 Address range: 1...247  
 Number of controllers per bus segment: 32

Protocol:

- MODBUS RTU

## SYSTEM INTERFACE

For connection to fieldbus couplers (see system components) Connection via bus connector fitted in the top-hat rail. Technical data see data sheet 9498-737-50911.

## ENVIRONMENTAL CONDITIONS

### Protection mode

Front panel: IP 20  
 Housing: IP 20  
 Terminals: IP 20

### Permissible temperatures

For specified accuracy: -10...55°C  
 Warm-up time: < 20 minutes

Temperature effect:  $\beta$  0.05%/10K  
 add. influence to cold

junction compensation:  $\leq$  0.05% / 10 K  
 Operating limits: -20...60°C  
 Storage: -30...70°C

### Altitude

To 2000 m above sea level

### Humidity

Max. 95%, 75% yearly average, no condensation

### Shock and vibration

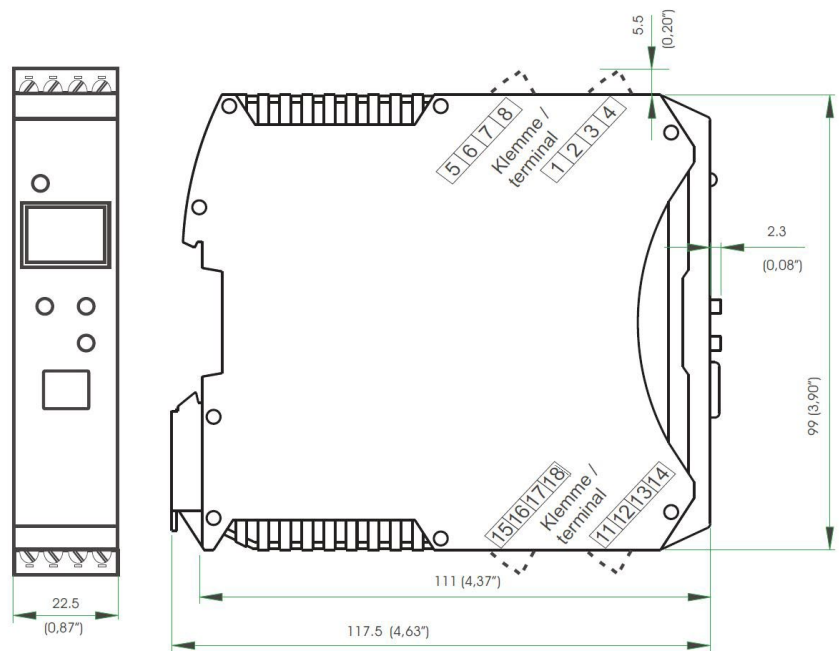
Vibration test Fc (DIN EN 60 068-2-6)

Frequency: 10...150 Hz  
 Unit in operation: 1g or 0.075 mm  
 Unit not in operation: 2g or 0.15 mm

Shock test Ea (DIN EN 60 068-2-27)

Shock: 15 g  
 Duration: 11 ms

Fig. 4: Overall dimensions (in mm)



### Electromagnetic compatibility

Complies with EN 61 326-1 for continuous, unattended operation.

Interference radiation:

- Within the limits for Class B devices.

Immunity to interference:

Meets the test requirements for devices in industrial areas.

Evaluation criteria:

- Surge interference partly has marked effects, which decay after the interference stops.
- With high levels of surge interference on 24 V AC mains leads, it is possible that the device is reset.
- With HF interference, effects up to 50  $\mu$ V can occur.

## GENERAL

Housing front

Material: Polyamide  
 PA 6.6 Flammability class: V0 (UL 94)

Connecting terminals

Material: Polyamide PA  
 Flammability class: V2 (UL 94) for screw terminals  
 V0 (UL 94) for spring-clamp terminals and bus connector

### Electrical safety

CE conform  
 Complies with EN 61 010-1  
 Over-voltage category II  
 Contamination degree 2  
 Protection class II

### Electrical connections

Plug-in connector strips with choice of terminal type:

- Screw terminals or spring-clamp terminals, both for lead cross-sections from 0.2 to 2.5 mm<sup>2</sup>. (AWG24-12)

### Mounting method

Clip-on rail mounting (35 mm top-hat rail to EN 50 022).

Locked by means of metal catch in housing base.

Close-packed mounting possible.

Mounting position: vertical

**Weight:**

0.18kg

### Standard accessories

- Operating instructions
- With 'Interface' option: busconnector for fitting into top-hat rail

### CERTIFICATION

- CE certified
- cULus-certification (Type 1, indoor use)  
 File: E 208286

**ACCESSORIES**

**BlueControl® (Engineering Tool)**

PC software package for configuring, parameter setting, and operating (commissioning) the KS 45 controller. Moreover, all settings are saved and can be printed, if required.

Depending on version, a powerful data acquisition module with trend graphics is available.

*Show/hide function*

The BlueControl® software enables any number of parameters and configuration setting to be shown/hidden. This ensures that only permitted parameters & settings can be changed in the controller. Safety-relevant parameters are not displayed.

Fig. 5: Hiding of interface parameters: only the address is visible

Name	Description	Visible
othr	Other	<input checked="" type="checkbox"/>
bAud	baudrate	<input type="checkbox"/>
Addr	address	<input checked="" type="checkbox"/>
PrfY	parity	<input type="checkbox"/>
dELV	answer delay [ms]	<input type="checkbox"/>
D.Uni	display unit	<input checked="" type="checkbox"/>
O2	parameter unit for O2	<input checked="" type="checkbox"/>
Unit	unit	<input checked="" type="checkbox"/>
dP	decimal points	<input checked="" type="checkbox"/>
SEGM	display segment assignment	<input checked="" type="checkbox"/>
C.dEL	modem delay [ms]	<input checked="" type="checkbox"/>

*Simulation function*

The built-in simulation serves to test the settings.

**Configuration settings made only via the BlueControl® software**

(not via the controller's front keys)

- Customer-specific linearization
- Enable forcing for inputs and outputs
- Setting the limits for operating hours and switching cycles
- Switch-over to 60 Hz mains frequency
- Blocking operator functions, Operating Levels, and password definition
- Text setting
- Definition of the display contents

*Hardware requirements*

A special PC adapter (see 'Additional Accessories') is required for connecting to the controller

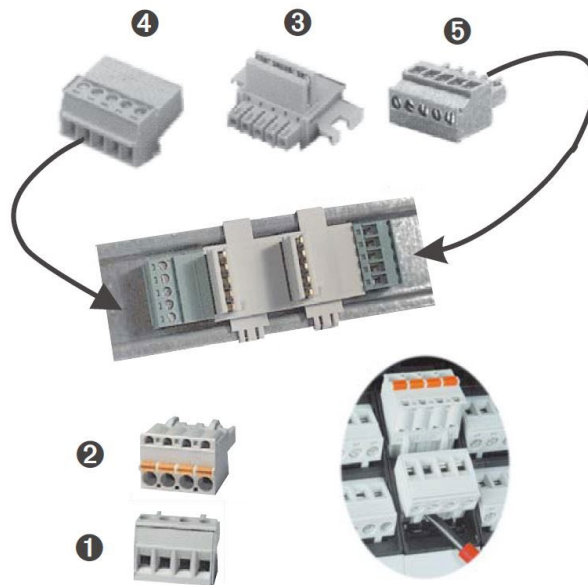
Updates and demo software from:

www.west-cs.co.uk

Table 4: BlueControl®: Versions and functions

FUNCTIONALITY	MINI	BASIC	EXPERT
Parameter and configuration setting	Yes	Yes	Yes
Controller and loop simulation	Yes	Yes	Yes
Download: transfer of an engineering to the controller	Yes	Yes	Yes
Online mode/ visualisation	SIM only	Yes	Yes
Defining and application specific linearisation	Yes	Yes	Yes
Configuration in the extended operating level	Yes	Yes	Yes
Upload: reading an engineering from the controller	SIM only	Yes	Yes
Basic diagnostic functions	No	No	Yes
Saving data file and engineering	No	Yes	Yes
Printer function	No	Yes	Yes
Online documentation, help	Yes	Yes	Yes
Implementation of measurement value correction	Yes	Yes	Yes
Data acquisition and trend display	SIM only	Yes	Yes
Wizard function	Yes	Yes	Yes
Extended simulation	No	No	Yes

Fig. 6: Accessories



**ACCESSORIES**

Description	Quantity	Order no.
1 Connector set with screw terminals	4 pcs.	9407-998-07101
2 Connector set with spring-clamp terminals	4 pcs.	9407-998-07111
3 Bus connector for fitting in top-hat rail	1 piece	9407-998-07121
4 Plug for bus connection, inverted, connections at left, horizontal cable entry	1 piece	9407-998-07131
5 Plug for bus connection, connections at right, vertical cable entry	1 piece	9407-998-07141

**ADDITIONAL ACCESSORIES**

Description	Language	Order no.
PC adapter for the BluePort ® front interface		9407-998-00001
BlueControl ® Mini	German/English	www.west.de
BlueControl ® with Basic license rail line	German/English	9407-999-12001
BlueControl ® with Expert license rail line	German/English	9407-999-12011

## ORDERING DATA

Universal controller KS 45	K	S	4	5	-	1	-	0	0	-	00	
1 universal input, 1 digital input with display and BluePort interface												
without plug-in connector terminals						0						
with screw terminal connector						1						
90...250V AC, 2 output relays, INP2 as current input (0...20mA)							0					
18...30VAC/18...31VDC, 2 , output relay INP2 as current input (0...20mA)							1					
90...250V AC, mA/V/logic + 2 relays, INP2 as current input (0...20mA)								2				
18...30VAC/18...31VDC, mA/V/ , logic + 2 relays INP2 as current input (0...20mA)								3				
90...250V AC, 2 optocoupler outputs, 1 relay, INP2 as current input (0...20mA DC and 0...50 mA AC)								4				
18...30VAC/18...31VDC, 2 optocoupler outputs, 1 relay, INP2 as current input (0...20mA DC and 0...50 mA AC)								5				
without options									0			
RS 485 / MODBUS - protocol									1			
System interface (only for 24V versions)									2			
di1 as contact input										0		
di1 as optocoupler input										1		
INP2 as universal input, 0 -measurement, di1 as contact input										2*		
INP2 , di1 as optocoupler input as universal input, 02-measureme										3*		
Standard configuration											0	
Customer-specific configuration											9	
Standard (CE-certification)												0
EN 14597 certified cULus certified												D
* not on versions with optocoupler outputs (KS45-1x4... and KS45-1x5...)												U

### Standard accessories:

- Operating notes
- Devices with 'Interface' option: bus connector for fitting into top-hat rail

### Additional system components for units with system interface

Fieldbus couplers

CANopen	RL40-111-00000-U00
PROFIBUS DP/DPV1	RL40-112-00000-U00
MODBUS RTU	RL40-113-00000-U00
Ethernet MODBUS/TCP	RL40-114-00000-U00
Profinet IO	RL40-115-00000-U00

Power supply module RL40-119-00000-U00

\* see Rail Line system datasheet

### Documentation

<https://www.west-cs.co.uk/resources-uk/>



## Contact

### UK

**Email:** [enquiries@west-cs.com](mailto:enquiries@west-cs.com)

**Website:** [www.west-cs.co.uk](http://www.west-cs.co.uk)

**Telephone:** +44 (0)1273 606271

**Address:** The Hyde Business Park  
Brighton, East Sussex  
BN2 4JU  
United Kingdom

### Brazil

**Email:** [atendimento@ftvindtech.com](mailto:atendimento@ftvindtech.com)

**Website:** [www.west-cs.com.br](http://www.west-cs.com.br)

**Telephone:** 55 11 3616-0195 / 55 11 3616-0159

### China

**Email:** [china@west-cs.cn](mailto:china@west-cs.cn)

**Website:** [www.west-cs.cn](http://www.west-cs.cn)

**Telephone:** +86 400 666 1802

### France

**Email:** [fr@west-cs.com](mailto:fr@west-cs.com)

**Website:** [www.west-cs.fr](http://www.west-cs.fr)

**Telephone:** +33 171 84 1732

### Germany

**Email:** [de@west-cs.com](mailto:de@west-cs.com)

**Website:** [www.west-cs.de](http://www.west-cs.de)

**Telephone:** +49 561 505 1307

### USA

**Email:** [inquiries@west-cs.com](mailto:inquiries@west-cs.com)

**Website:** [www.west-cs.com](http://www.west-cs.com)

**Telephone:** +1 800 866 6659

West Control Solutions is part of the Fortive Corporation.  
Specifications are subject to change without notice, as a result  
of our continual development and improvement, E&OE.

**WEST**  
*Control Solutions*

DS-KS45-2-UK-1906