



**Universal process-controller and
programmer
KS 90-1 & KS 92-1**

KS 90-1
KS 92-1
MODBUS

Interfacedescription

MODBUS-protocol

9499 040 63711

Valid from: 02/2005

Explanation of symbols:



General information



General warning



Caution: ESD-sensitive components

MODBUS[®]

is a registered trademark of the MODBUS-IDA Organization

BluePort[®] and BlueControl[®]

are registered trademarks of PMA Prozeß- und Maschinen-Automation GmbH

© 2004-2005 PMA Prozeß- und Maschinen-Automation GmbH • Printed in Germany • All rights reserved • Without prior written consent, reprinting or photocopying of this document, entirely or in part, is prohibited.

This is a publication of
PMA Prozeß- und Maschinen Automation
P.O. Box 310229
D-34058 Kassel
Germany

Content

1. General	5
1.1 References	5
2. Commissioning the interface	6
2.1 Mounting hints	6
2.2 Electrical connections	6
2.2.1 RS 485 version (two-wire)	7
2.2.2 RS 422 version (four-wire - RS 485)	9
2.2.3 Cable installation	11
2.2.4 Screening	11
2.2.5 Terminating resistors	11
2.2.6 Installation notes	13
2.3 Bus settings	13
2.3.1 Bus address	13
2.3.2 Transmission parameters	13
2.4 Master operation (MASt)	14
2.5 System layout	15
2.5.1 Minimum configuration of a MODBUS installation	15
2.5.2 Maximum configuration of a MODBUS installation	15
2.5.3 Wiring inside buildings	16
3. Bus protocol	17
3.1 Composition of a transmission byte	17
3.2 General message frame	
3.2.1 CRC	18
3.2.2 End of frame detection	18
3.3 Transmission principles	18
3.4 Response delay (dELY)	18
3.5 Modem operation (C.dEL)	18
3.6 Function codes	19
3.6.1 Reading several values	19
3.6.2 Writing a single value	20
3.7 Writing several values	21
3.8 Error record	22
3.8.1 Error codes	22
3.9 Diagnosis	23
3.9.1 Return transmission of the received message (0x00)	24
3.9.2 Restart of communication (terminates the Listen Only mode) (0x01)	24
3.9.3 Return transmission of the diagnosis register (0x02)	24
3.9.4 Change to the Listen Only mode (0x04)	24
3.9.5 Delete the counter and reset the diagnosis register (0x0A)	24
3.9.6 Return transmission of the message counter (0x0B)	25

3.9.7	Return transmission of the counter for faulty message transmissions . . .	25
3.9.8	Return transmission of the counter for messages answered with error code 25 . . .	25
3.9.9	Return transmission of the message counter for this slave	25
3.9.10	Return transmission of the counter for unanswered messages	25
3.9.11	Return transmission of the counter for messages answered with NAK . . .	26
3.9.12	Return transmission of the counter for messages answered with Busy . . .	26
3.9.13	Return transmission of the parity error counter	26
3.9.14	Return transmission of the framing error counter	26
3.9.15	Return transmission of the counter for too long messages	26
4.	MODBUS addresses, address areas, and address formats	27
4.1	27
4.2	Special values	27
4.3	Composition of the address tables	28
4.4	Internal data types	28
5.	Index	29
6.	Address tables	31
6.1	Notes to program addresses	31

1 General

We thank you for purchasing a device from the *BluePort®* product range. This document describes the implementation and operation of the MODBUS interface used with the universal process-controller and programmer KS 90-1 which will be called 'device' in the rest of this document. This document is also valid for the KS 92-1 and the KS 92-1 programmer.

Devices with a MODBUS interface permit the transmission of process data, parameters, and configuration data. Electrical connections are made at the base of the device in the channel of the top-hat DIN rail. The serial communication interface provides a simple link to superordinate PLCs, visualization tools, etc.

An additional interface that is always fitted in the device's front panel is the BluePort® (PC) interface. This interface is not bussable, and serves for a direct connection with the BlueControl® software package that runs on a PC or laptop. Communication is done according to the master/slave principle. The device is always operated as a slave.

The most important characteristics and physical/electrical properties of the bus connection are:

- **Network topology**
linear bus, possible with bus termination at both ends (see below).
- **Transmission media**
screened and twisted 2-wire copper leads
- **Lead lengths (without repeater)**
A maximum lead length of 1000 m should not be exceeded.
- **Transmission speeds**
The following transmission speeds are supported:
2400 ... 38400 bits/s
- **Physical interface**
RS 485 with bus connections in the top-hat rail; connections made on site.
- **Address range**
1 ... 247
(32 devices in one segment. Expandable to 247 with repeaters.)

1.1 References

Further information on the MODBUS-Protokoll:

- [1] **MODBUS Specifications**
- MODBUS application Protocol Specification V1,1
 - MODBUS over serial line specification and implementation guide V1.1
 - <http://www.modbus.org>

Further information on RS 485:

- [2] **ANSI/TIA/EIA-485-A**

Additional documentation for KS 90-1 / KS 92-1 devices:

- [3] **Universal process-controller and programmer KS 90-1 / KS 92-1**
- Data sheet KS 90-1 / 92-1 9498 737 40633
 - Data sheet KS 90-1P / 92-1P 9498 737 40733
 - Operating instructions KS 90-1 / 92-1 9499 040 62918
 - Operating instructions KS 90-1P / 92-1P 9499 040 66118

2 Commissioning the interface

Instrument field bus connection is via the pins of connector B on the rear, via flat-pin connectors or via screw terminals dependent on version.

Construction of suitable cables must be done by the user.

2.1 Mounting hints

If possible, the place of installation should be exempt of vibration, aggressive media (e.g. acid, lye), liquid, dust or aerosol.



The unit may be operated only in environments for which it is suitable due to its protection type.



The housing ventilation slots must not be covered.



In plants where transient voltage peaks are susceptible to occur, the instruments must be equipped with additional protective filters or voltage limiters!



Caution! The instrument contains electrostatically sensitive components.



Please, follow the instructions given in the safety hints.

2.2 Electrical connections

The electrical connection of the interface can be done as two-wire RS 485, as well as four-wire RS 485 (often called RS 422).

2.2.1 RS 485 version (two-wire)

The bus is build as RS 485 - two-wire cable with common ground main.

All the participants of an RS 485 bus are connected in parallel to the signals 'Data A' and 'Data B'.

The meaning of the data line terms are defined in the unit as follows:

- for signal 1 (off) Data A is positive to Data B
- for signal 0 (on) Data A is negative to Data B



The terms Data A and Data B are reverse to A und B defined in [2] .

For the purpose of limiting ground current loops, signal ground (GND) can be grounded at one point via a resistor 'RGND' (100 ohms, ¼ watt).

Association of terms for the two-wire-MODBUS definition according to [1]:

Definition MODBUS	according to unit
D1	Data A
D0	Data B
Common	RGND



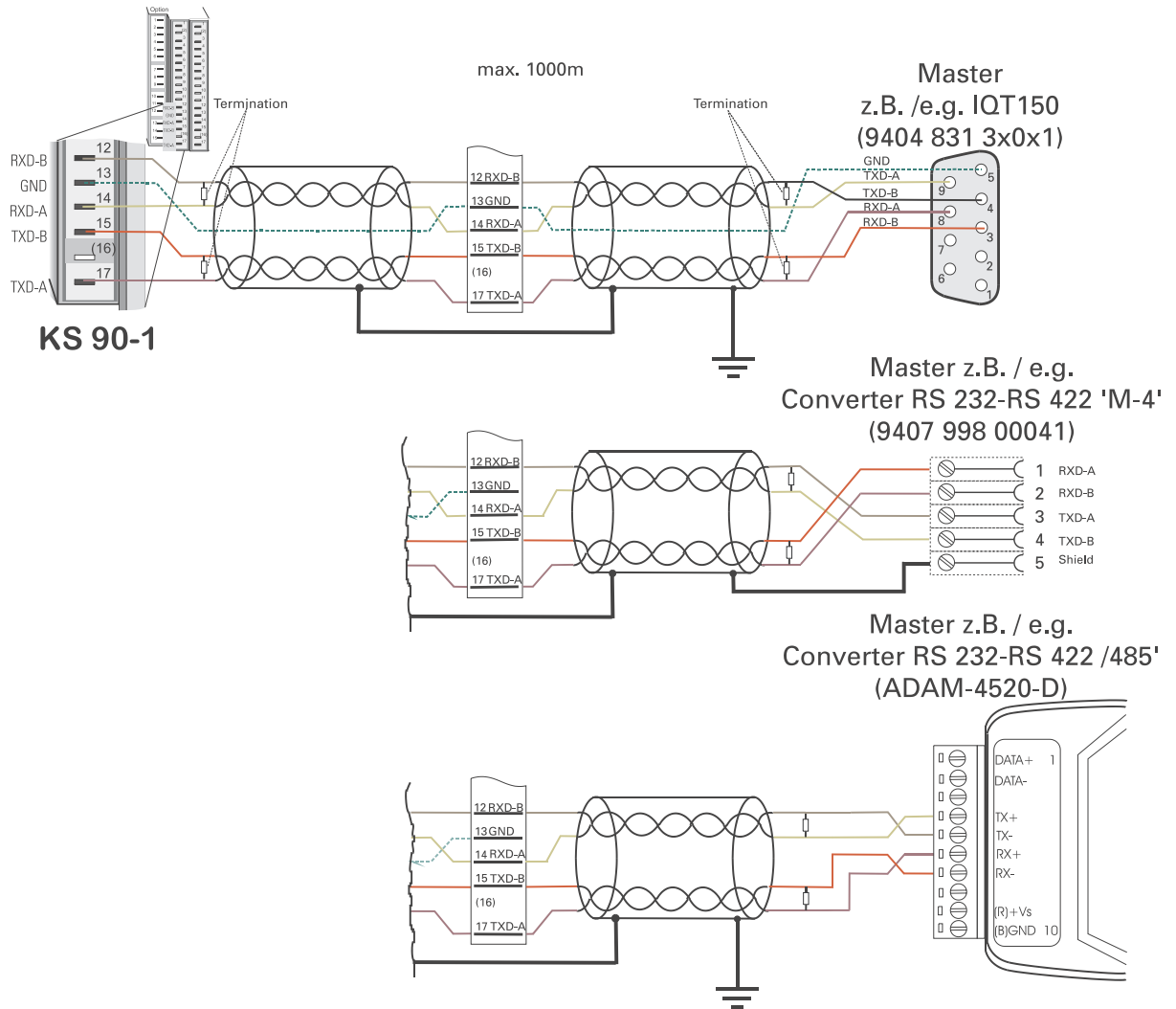
Notes:

- ① Terminating resistors between Data A and B at the cable ends (see 2.2.3 below)
- ② Screening (see 2.2.2 below)
- ③ GND lead (see Fig. 6)

KS90-1		IQT 150		M-4		ADAM-4520-D	
Signal	Terminal	Signal	Terminal	Signal	Terminal	Signal	Terminal
TXD-B	15	DATA-B	3	TXD-A	3	DATA -	
TXD-A	17	DATA-A	8	TXD-B	4	DATA+	
GND	13	RGND	5	Shield	5		

There are various possibilities for cable entry of the RS 485.

Fig. 1 : connection example four-wire RS 485 (RS 422)



2.2.2 RS 422 version (four-wire - RS 485)

The RS 422 bus is of the RS 485 four-wire type with two pairs of conductors and a common ground. The data on the master wire pair (RXD) are received only by the slaves. The data on the slave wire pair (TXD) are received only by the master.

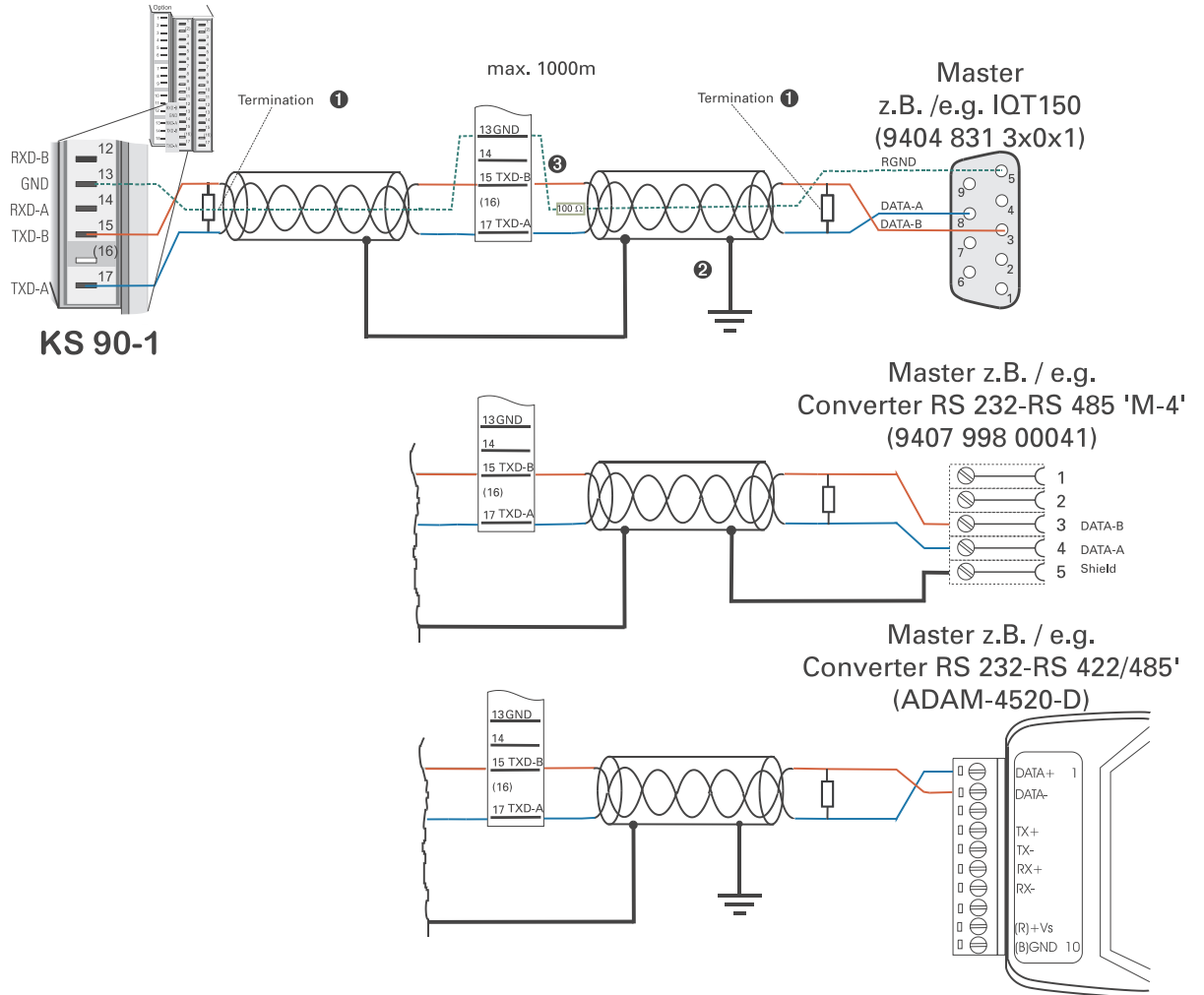
Allocation of descriptions for the four-wire MODBUS definition according to [1]:

Description MODBUS	correspondence in the instrument
TXD1	RXD-A
TXD0	RXD-B
RXD1	TXD-A
RXD0	TXD-B
Common	GND

KS90-1		IQT 150		M-4		ADAM-4520-A	
Signal	Terminal	Signal	Terminal	Signal	Terminal	Signal	Terminal
TXD-B	15	RXD-B	3	RXD-A	1	RX-	
TXD-A	17	RXD-A	8	RXD-B	2	RX+	
RXD-B	12	TXD-B	4	TXD-A	3	TX-	
RXD-A	14	TXD-A	9	TXD-B	4	TX+	
GND	13	GND	5	Shield	5		

The following cable connection methods are possible.

Fig. 2 connection example RS 485



2.2.3 Cable installation

Depending on each application, suitable cables are to be used for the bus. When installing the cables, all relevant regulations and safety codes (e.g. VDE 0100) must be observed:

- Cable runs inside buildings (inside and outside of control cabinets)
- Cable runs outside buildings
- Potential balancing conductors
- Screening of cables
- Measures against electrical interference
- Length of spur lines

In particular, the following points must be considered:

- The RS 485 bus technology used here permits up to 32 devices in a segment to be connected to one bus cable. Several segments can be coupled by means of repeaters.
- The bus topology is to be designed as a line with up to 1000 m length per segment. Extensions by means of repeaters are permitted.
- The bus cable is to be taken from device to device (daisy chaining), i.e. not star connected.
- If possible, spur lines should be avoided, in order to prevent reflections and the associated disturbances in communication.
- The general notes on interference-free wiring of signal and bus leads are to be observed (see Operating notes "EMC – General information" (9407 047 09118)).
- To increase signal transmission reliability, we recommend using screened, twisted pairs for the bus leads.

2.2.4 Screening

The type of screening is determined primarily by the nature of the expected interference.

- For the suppression of electrical fields, one end of the screened cable must be grounded. This should always be done as the first measure.
- Interference due to alternating magnetic fields can only be suppressed, if the screened cable is grounded at both ends. However, this can lead to ground current earth loops: galvanic disturbance along the reference potential lead can interfere with the useful signal, and the screening effect is reduced.
- If several devices are linked to a single bus, the screen must be connected at each device, e.g. by means of screen clamps.
- The bus screen must be connected to a central PE point, using short, low-impedance connections with a large surface, e.g. by means of screen clamps.

2.2.5 Terminating resistors

The widespread US Standard EIA RS 485 recommends fitting terminating resistors at each end of the bus cable. Terminating resistors usually have a value of approx. 120 ohms, and are connected in parallel between the data lines A and B (depending on the cable impedance; for details, see the cable manufacturer's data sheet). Their purpose is to eliminate reflections at the end of the leads, thus obtaining a good transmission quality. Termination becomes more important, the higher the transmission speed is, and the longer the bus leads are.

However, if no signals are applied to the bus, it must be ensured that the signal levels are clearly defined. This done by means of pull-up and pull-down resistors between +5V or GND, and the drivers. Together with the bus terminating resistor, this forms a voltage divider. Moreover, it must be ensured that there is a voltage difference of at least $\pm 200\text{mV}$ between the data lines A and B, as seen by the receiver.


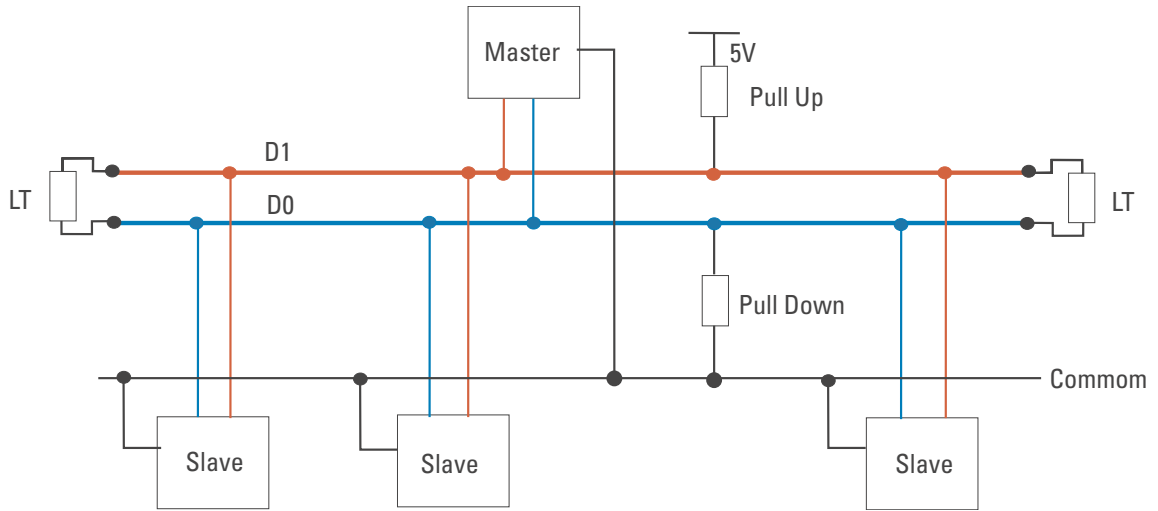
 Normally, an external voltage source is provided.

Fig. 6 shows the device connections as recommended by the MODBUS User Organization [1].

Fig. 3 Recommended connections



With four-wire connection (RS 422), each wire pair corresponds to the drawing above.



If no external voltage source is available, and if there are only a few participants on the bus (e.g. only a master and a slave device), and the transmission speed is low (e.g. 9600 bits/s), the lead lengths are short, and terminating resistors have been fitted, it is possible that the minimum signal level cannot be reached. This will cause disturbances in signal transmission.



Therefore, if only a few PMA devices are connected, we recommend the following procedure before fitting terminating resistors:

Baudrate	Lead length	No. of PMA devices	Terminating resistor
≤ 9600 Bist/s	≤ 1000 m	< 8	no
19200 Bit/s	≤ 500 m	< 8	no
38400 Bit/s	≤ 250 m	< 8	no
beliebig		≥ 8	useful
			other cases: try out



If less than 8 PMA devices are connected to a bus with the above maximum lead lengths, no terminating resistors should be fitted.



Note: If additional devices from other manufacturers are connected to the bus, no general recommendations are possible – this means: trial and error!

2.2.6 Installation notes

- Measurement and data leads should be kept separate from control leads and power cables.
- Twisted and screened cables should be used to connect sensor. The screen must be grounded.
- Connected contactors, relays, motors, etc. should be fitted with RC snubber circuits in accordance with manufacturer specifications.
- The device must not be installed near powerful electrical or electromagnetic fields.



- **The device is not certified for installation in explosion-hazarded areas.**
- **Incorrect electrical connections can result in severe damage to the device.**
- **Please observe all safety instructions.**

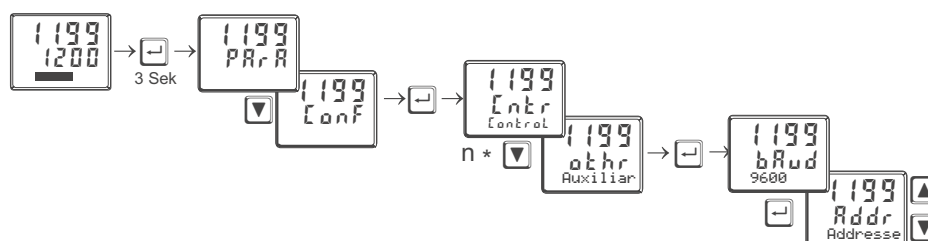
2.3 Bus settings

2.3.1 Bus address

The participant address of a device connected to a bus must be adjusted by one of the following means:

- the Engineering Tool BlueControl® using the menu item Othr/Addr
- or via the device's front panel (see below)

Fig. 4 Setting a bus address



Every device connected to a bus must have a different, unique address.



Please regard: When allocating the unit's addresses don't give the same address to two units. In this case a strange behaviour of the whole bus becomes possible and the busmaster will not be able to communicate with the connected slave-units.

2.3.2 Transmission parameters



The transmission parameters of all devices linked to a bus must have the same settings.

Baudrate (bAud)

The baudrate is the measure of data transmission speed. The devices support the following transmission speeds:

- 38000 bits/s
- 19200 bits/s
- 9600 bits/s
- 4800 bits/s
- 2400 bits/s

Parity / Stop bit (PrtY)

The parity bit is used to check whether an individual fault has occurred within a byte during transmission.

The device supports:

- **even parity**
- **odd parity**
- **no parity**

With even parity, the parity bit is adjusted so that the sum of the set bits in the 8 data bits and the parity bit result in an even number. Conversely, the same applies for uneven parity.



If a parity error is detected upon receipt of a message, the receiving device will not generate an answer.

Other parameters are:

- 8 data bits
 - 1 start bit
 - 1 stop bit
- 1 or 2 stop bits can be selected when adjusting 'no parity'.



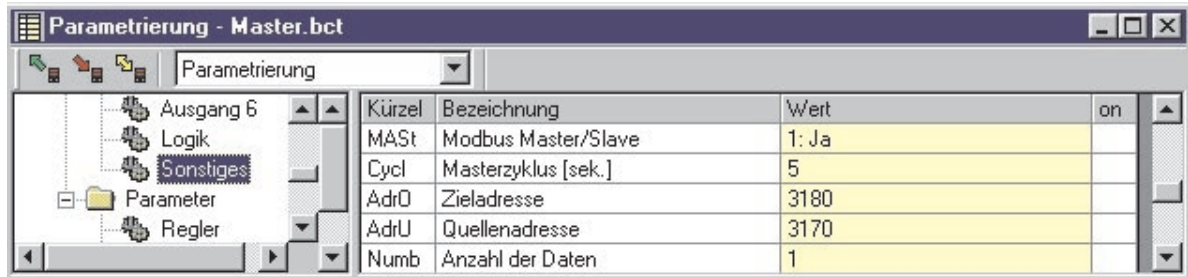
The max. length of a message may not exceed 256 bytes.

2.4

Master operation (MASt)

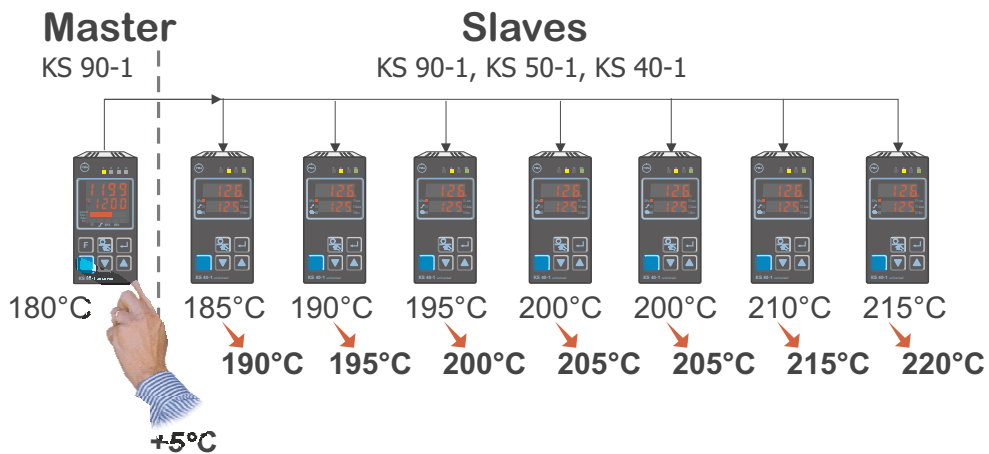
The KS 90-1 master function is limited to broadcast messages (data transmission to all connected slaves). For operation as a master, the instrument must be configured accordingly by means of BlueControl® (engineering software for KS 90-1).

Fig. 5 : Master function parameter setting



A possible MODBUS master configuration is given in the drawing shown above. In this example, the actual master set-point (source address 3170) is transmitted to the slaves (target address 3180) at intervals of 5 seconds.

Fig. 6 : Example



2.5

System layout



Please observe the guidelines and notes provided by the manufacturer of the master device regarding the layout of a communication system.

2.5.1 Minimum configuration of a MODBUS installation

A MODBUS installation consists of not less than the following components:

- a bus master, which controls the data traffic
- one or more slave participants, which provide data upon demand by the master
- the transmission media, consisting of the bus cable and bus connectors to link the individual participants, plus a bus segment (or several, which are connected by means of repeaters).

2.5.2 Maximum configuration of a MODBUS installation

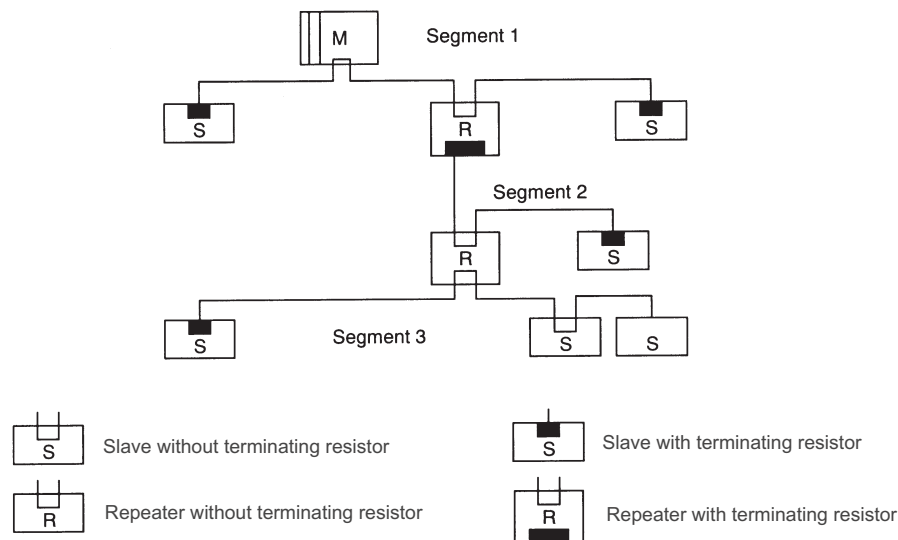
A bus segment consists of max. 32 field units (active and passive). The greatest number of slave participants that can be operated by one MODBUS master via several segments, is determined by the internal memory structure of the master. Therefore, you should know the specifications of the master when planning a MODBUS installation. The bus cable can be opened at any point in order to add another participant by means of a bus connector. At the end of a segment, the bus cable can be extended up to the total permissible length for a segment. The permissible length of a bus segment depends on the selected transmission speed, which in turn is determined mainly by plant layout (length of each segment, distributed inputs/outputs) and the required scan cycles for individual participants. All participants connected to the bus must be configured for the same transmission speed (bit rate).



MODBUS devices must be connected in a line structure.

If more than 32 participants are required, or larger distances than the permissible length of one segment are needed, the MODBUS installation can be extended by means of repeaters.

Fig. 7 structure



A fully configured MODBUS installation may contain max. 247 participants with the address range 1...247. Every installed repeater reduces the max. number of participants with a segment. Repeaters are passive participants and do not require a MODBUS address. However, its input circuit represents an additional load in the segment due to the current consumption of the bus driver. Nonetheless, a repeater has no influence on the total number of participants connected to the bus. The maximum number of series-connected repeaters can differ, depending on the manufacturer. Therefore, you should ask the manufacturer about possible limitations when planning a MODBUS installation.

2.5.3 Wiring inside buildings

The following wiring hints apply for twisted-pair cables with screen. The cable screen serves to improve overall electromagnetic compatibility.

Depending on requirements, the one or both ends of the cable screen must be connected to a central earth point (PE) by means of low-impedance connections with a large surface, e.g. screen clamps. When installing a repeater or field unit in a control cabinet, the cable screen should be connected to an earth rail mounted as close as possible to the cable entry into the cabinet.

The screen must be taken right up to the field unit, where it is to be connected to the conductive housing and/or the metal connector. Hereby, it must be ensured that the device housing (and possibly the control cabinet in which the device is installed), are held at equal ground potential by means of low-impedance connections with a large surface. Connecting a screen to a lacquered or painted surface is useless. By observing these measures, high-frequency interference will be grounded reliably via the cable screens. Should external interference voltages still reach the data lines, the voltage potential will be raised symmetrically on both lines, so that in general, no destructive voltage differences can arise. Normally, a shift of the ground potential by several volts will not have an effect on reliable data transmission. If higher voltages are to be expected, a potential balancing conductor with a minimum cross-section of 10 mm^2 should be installed parallel to the bus cable, with connections to the reference ground of every field unit. In case of extreme interference, the bus cable can be installed in a metal conduit or channel. The conduit tube or the channel must be earthed at regular distances.

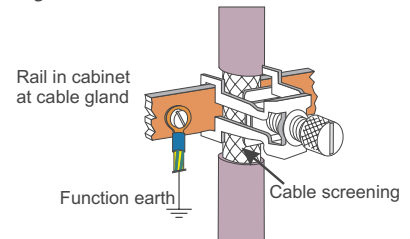
The bus cable must always be installed with a minimum separation of 20 cm from other cables carrying voltages above 60 V. Similarly, the bus cable must be run separately from telephone lines, as well as from cables leading into explosion-hazardous areas. In these cases, we recommend installing the bus cable in a separate cable tray or channel.

Cable trays or channels should always be made of conductive materials, and must be earthed at regular distances. Bus cables should not be subjected to any mechanical strains or obvious risks of damage. If this cannot be ensured, suitable measures must be undertaken, such as installation in conduit.

Floating installation:

If the installation must be floating (no earth connection) for certain reasons, the device reference ground must only have a high-impedance connection to earth (e.g. an RC combination). The system will then find its own earth potential. When connecting repeaters for the purpose of linking two bus segments, a floating installation is recommended, to prevent possible potential differences being transferred from one segment to the next.

Fig. 8 Screen connection



3 Bus protocol

3.1 Composition of a transmission byte

Originally, the MODBUS protocol was defined for the communication between a supervisory system and the Modicon® PLC. It used a master/slave structure, in which only one device (master) is able to initiate data transactions (queries). The query message from the master is answered (response) by other devices (slaves), which supply the requested data. Moreover, the master can address a specific slave via its MODBUS address, or address all connected slaves by means of a general message (broadcast).

The MODBUS protocol determines the transmission formats for the query and the response. Function codes define the actions to be executed by the slaves.

Within the device, the MODBUS protocol uses the RTU (remote terminal unit) mode, i.e. every transmitted byte of a message contains two hexadecimal characters (0...9, A...F).

The composition of a byte in the RTU-protocol is as follows:

Start bit	8 data bits	Parity/Stop bit	Stop bit
------------------	--------------------	------------------------	-----------------

3.2 General message frame

The message is read into a data buffer with a defined maximum length. Longer messages are not accepted, i.e. the device does not answer.

The message consist of the following elements:

Device address	Function code	Data field	CRC	End of frame detection
1 byte	1 byte	N * 1 bytes	2 bytes	

- **Device address (Addr)**
The device address is used for identification. Device addresses can be assigned in the range of 1...127. The device address '0' is reserved for 'Broadcast' messages to all slaves. A broadcast message can be transmitted e.g. with a write instruction that is then executed by all the slaves on the bus. Because all the slaves execute the instruction, no response messages are generated.
- **Function code**
The function code defines the transaction type in a message. The MODBUS specification defines more than 17 different function codes. Supported codes are described in Section 3.6. „Function codes“.
- **Data field**
The data field contains the detailed specifications of the transaction defined by the function code. The length of the data field depends on the function code.
- **CRC**
As a further means of fault detection (in addition to parity bit detection) a 16-bit cyclical redundancy check (CRC) is performed. The CRC code ensures that communication errors are detected. For additional information, see Section 3.2.1. "CRC".
- **End of frame detection**
The end of a message is defined by a period of 3,5 characters, during which no data transfer occurs. For additional information, see Section 3.2.2. „End of frame detection“

 Further information is given in the documents named in [1] or under <http://www.modbus.org>.

3.2.1 CRC

The CRC is a 16-bit value that is attached to the message. It serves to determine whether a transmitted message has been received without errors. Together with the parity check, this should detect all possible communication errors.

i If a parity fault is detected during reading, no response message will be generated.

The algorithm for generating a CRC is as follows:

- ① Load CRC register with FFFFhex.
- ② Exclusive OR the first transmit/receive byte with the low-order byte of the CRC register, putting the result into the CRC register, zero-filling the MSB.
- ③ Shift the CRC register one bit to the right.
- ④ If the expelled bit is a '0' repeat step 3.
If the expelled bit is a '1', exclusive OR the CRC register with value A001hex.
- ⑤ Repeat steps 3 and 4 for the other 7 data bits.
- ⑥ Repeat steps 2 to 5 for all further transmit/receive bytes.
- ⑦ Attach the result of the CRC register to the message (low-order byte first, then the high-order byte).
When checking a received message, the CRC register will return '0', when the message including the CRC is processed.

3.2.2 End of frame detection

The end of a message (frame) is defined as a silence period of 3.5 characters on the MODBUS. A slave may not start its response, and a master may not start a new transmission before this time has elapsed.

However, the evaluation of a message may begin, if a silence period of more than 1.5 characters occurs on the MODBUS. But the response may not start before 3,5 characters of silence.

3.3 Transmission principles

Two transmission modes are used with MODBUS:

- **Unicast mode**
- **Broadcast mode**

In the Unicast mode, the master addresses an individual device, which processes the received message and generates a response. The device address can be 1...247. Messages always consist of a query (request) and an answer (response). If no response is read within a defined time, a timeout error is generated.

In the Broadcast mode, the master sends a write instruction (request) to all participants on the bus, but no responses are generated. The address '0' is reserved for broadcast messages.

3.4 Response delay (dELY)

Some devices require a certain period to switch from transmit to receive. The adjusted delay is added to the silent period of 3,5 characters at the end of a message, before a response is generated. The delay is set in ms.

3.5 Modem operation (C.dEL)

The end of frame detection of a received MODBUS message can be increased by the period 'C.del'. This time is needed e.g. for transmission via a modem, if messages cannot be transmitted continuously (synchronous operation). The delay is set in ms.

3.6

Function codes

Function codes serve to execute instructions. The device supports the following function codes:

Function code		Description	Explanation
hex	dez		
0x03	3	Read Holding (Output) Register	Reading of process data, parameters, and configuration data
0x04	4	Read Input Register	Reading of process data, parameters, and configuration data
0x06	6	Preset Single Register (Output)	Wordwise writing of a value (process value, parameter, or configuration data)
0x08	8	Diagnostics	Reading the MODBUS diagnostic register
0x10	16	Preset Multiple Register (Output)	Wordwise writing of several values (process data, parameter or configuration data)

The behaviour of function codes 3 and 4 is identical.

The following sections show various examples of message composition.

3.6.1 Reading several values

Messages with function codes 3 or 4 are used for (wordwise) reading of process data, parameters or configuration data. For reading 'Float' type data, 2 values must be requested for each datum.

The composition of a read message is as follows:

Request:

Field name	Value (hex)	Explanation
Address	11	Address 17
Function	03 or 04	Reading process data, parameters or configuration data
Start address High	02	Starting address 650
Start address Low	8A	
No. of values	00 02	2 datums (2 words)
CRC	CRC-Byte1 CRC-Byte2	

Response:

Field name	Value (hex)	Explanation
Address	11	Address 17
Function	03 oder 04	Reading process data, parameters or configuration data
No. of bytes	04	4 data bytes are transmitted
Word 1	00 DE	Process data, parameters or configuration data. Address 650= 222
Word 2	01 4D	Process data, parameters or configuration data. Address 651= 333
CRC	CRC-byte1 CRC-byte2	



A broadcast message is not possible for function codes 3 and 4.



If the first addressed value is not defined, an error message "ILLEGAL DATA ADDRESS" is generated. If no further data are defined in the areas to be read following the first value, these areas will be entered with the value "NOT DEFINED VALUE". This enables areas with gaps to be read in a message.

3.6.2 Writing a single value

Messages with function code 6 are used for (wordwise) writing of process data, parameters or configuration data as integers. This function is not suitable for writing 'Float' type data.

The composition of a write message is as follows:

Request:

Field name	Value (hex)	Explanation
Address	11	Address 17
Function	06	Writing a single value (process data, parameter or configuration)
Write address High Write address Low	02 8A	Write address 650
Value	00 7B	Preset value = 123
CRC	CRC-byte1 CRC-byte2	

Response:

Field name	Value (hex)	Explanation
Address	11	Address 17
Function	06	Writing a single datum (process data, parameter or configuration)
Write address High Write address Low	02 8A	Write address 650
Value	00 7B	Preset value = 123
CRC	CRC-Byte1 CRC-Byte2	

If everything is correct, the response message corresponds exactly to the default.



The devices can also receive this message as a broadcast with the address '0'.



A default value in the 'Real' data format is not possible, as only 2 bytes can be transmitted as value.



If a value is outside the adjustable range, the error message "ILLEGAL DATA VALUE" is generated. The datum remains unchanged. Also if the datum cannot be written (e.g. configuration data, and the device is online), an error message "ILLEGAL DATA VALUE" is generated.

3.7

Writing several values

Messages with function code 16 are used for (wordwise) writing of process data, parameters or configuration data. For writing 'Float' type data, 2 values must be transmitted for each datum.

The composition of a write message is as follows:

Request:

Field name	Value (hex)	Explanation
Address	11	Address 17
Function	10	Writing several process values, parameters or configuration data
Start address High	02	Write address 650
Start address Low	8A	
No. of values	00 02	2 values
No. of bytes	04	4 data bytes are transmitted
Word 1	00 DE	Process value, parameters or configuration data. Address 650 = 222
Word 2	01 4D	Process value, parameters or configuration data. Address 651 = 333
CRC	CRC byte1 CRC byte2	

Response:

Field name	Value (hex)	Explanation
Address	11	Address 17
Function	10	Writing several process values, parameters or configuration data
Start address High	02	Write address 650
Start address Low	8A	
No. of values	00 02	2 process values, parameters or configuration data
CRC	CRC byte1 CRC byte2	



The devices can also receive this message as a broadcast with the address '0'.



**If the first value is not defined, an error message "ILLEGAL DATA ADDRESS" is generated.
If the first value cannot be written (e.g. configuration data, and the device is online), an error message "ILLEGAL DATA VALUE" is generated.**

If no further data are defined or cannot be written in the specified areas following the first value, these areas will be skipped. The data in these locations remains unchanged. This enables areas with gaps, or that are currently not writable, to be changed with a message. No error message is generated.

If a value is outside the adjustable range, the error message "ILLEGAL DATA VALUE" is generated. Subsequent data are not evaluated. Previously accepted correct data are active.

3.8

Error record

An error record is generated, if a message is received correctly, but message interpretation or the modification of a datum is not possible.



If a transmission error is detected, no response is generated. The master must retransmit the message.

Detected transmission errors are:

- Parity fault
- Framing error (no stop bit received)
- Overrun error (receiving buffer has overflowed or data could not be retrieved quickly enough from the UART)
- CRC error

The composition of the error record is as follows:

Field name	Value	Explanation
Address	11	Address 17
Function	90	Error record for the message 'Writing several parameters or configuration data'. Composition: 80 _{hex} + function code
Error code	02	ILLEGAL DATA ADDRESS
CRC	CRC byte1 CRC byte2	

In the 'Function' field, the most significant bit is set.
The error code is transmitted in the subsequent byte.

3.8.1

Error codes

The following error codes are defined:

Code	Name	Explanation
01	ILLEGAL FUNCTION	The received function code is not defined in the device.
02	ILLEGAL DATA ADDRESS	The received address is not defined in the device, or the value may not be written (read only). If several data are read simultaneously (function codes 01, 03, 04) or written simultaneously (function codes 0F, 10), this error is only generated if the first datum is not defined.
03	ILLEGAL DATA VALUE	The received value is outside the adjusted limits or it cannot be written at present (device is not in the configuration mode). If several data are written simultaneously (function codes 0F, 10), this error is only generated if the first datum cannot be written.
04	SLAVE DEVICE FAILURE	More values are requested than permitted by the transmission buffer.

Other error codes specified in the MODBUS protocol are not supported.

3.9

Diagnosis

By means of the diagnosis message, the device can be prompted to send check messages, go into operational states, output counter values or to reset the counters.

This message can never be sent as a broadcast message.

The following functions have been defined:

Code	Explanation
0x00	Return transmission of the received message
0x01	Restart of communication (terminates the Listen Only mode)
0x02	Return transmission of the diagnosis register
0x04	Change to the Listen Only mode
0x0A	Delete the counter and reset the diagnosis register
0x0B	Return transmission of the message counter (all messages on the bus)
0x0C	Reset of the counter for faulty message transmissions to this slave (parity or CRC error)
0x0D	Return transmission of the counter for messages answered with error code
0x0E	Return transmission of the message counter for this slave
0x0F	Return transmission of the counter for unanswered messages
0x10	Return transmission of the counter for messages answered with NAK
0x11	Return transmission of the counter for messages answered with Busy
0x12	Return transmission of the counter for too long messages
0x40	Return transmission of the parity error counter
0x41	Return transmission of the framing error counter (stop bit not detected)
0x42	Return transmission of the counter for full buffer (message longer than receiving buffer)

- Request in the Integer format:
If the setting for Integer with decimals (most significant 3 bits) is used for the address, the counter contents will be transmitted in accordance with the necessary conversion factor.
- Request in the Float format:
If the setting for Float (most significant 3 bits are 010) is used for the address, the counter contents will be transmitted in the IEEE format. The largest value is 65535, because the counters in the device are designed as word counters.
In the Float format, a 4-byte data field is returned with a request for counter contents. In all other cases, a 2-byte data field is returned.

When switching into the Listen mode (0x04) and at restart after the device has changed into the Listen mode, no response is generated.

If a restart diagnosis message is received while the device is not in the Listen mode, the device generates a response.

A diagnosis message is composed as follows:

Request:

Field name	Value	Explanation
Address	11	Address 17
Function	08	Diagnosis message
Sub-function High	00	Sub-function code
Sub-function Low	YY	
Data field	Byte 1 Byte 2	Further data definitions
CRC	CRC byte1 CRC byte2	

3.9.1 Return transmission of the received message (0x00)

The message serves as a check whether communication is operational.
Definition of the received and returned data:

Sub-function	Received data field	Transmitted data field
00 00	2 bytes of any content	Return transmission of the received datum

3.9.2 Restart of communication (terminates the Listen Only mode) (0x01)

The slave is instructed to initialize its interface, and to delete the event counters. In addition, the device is instructed to exit the Listen Only mode. If the device already is in the Listen Only mode, no response is generated.
Definition of the received and returned data:

Sub-function	Received data field	Transmitted data field
00 01	00 00	00 00

3.9.3 Return transmission of the diagnosis register (0x02)

The slave sends its 16-bit diagnosis register to the master. The data contained in this register are freely definable. For example, the information could be: EEPROM faulty, LED defective, etc.
Definition of the received and returned data:

Sub-function	Received data field	Transmitted data field
00 02	00 00	Contents of the diagnosis register

3.9.4 Change to the Listen Only mode (0x04)

The slave is instructed not to execute or answer any messages addressed to it. The device can only return to normal operation by means of the diagnosis message 'Sub-function 00 01' or by means of a new power up.

The function serves to disable a module that is behaving erratically on the MODBUS, so that the bus can continue operations. The device does not generate a response after receiving this message.

Definition of the received and returned data:

Sub-function	Received data field	Transmitted data field
00 04	00 00	No response

3.9.5 Delete the counter and reset the diagnosis register (0x0A)

The slave is instructed to delete the contents of its event counter and to reset the diagnosis register.
Definition of the received and returned data:

Sub-function	Received data field	Transmitted data field
00 0A	00 00	00 00

3.9.6 Return transmission of the message counter (0x0B)

The slave is instructed to return the value of its message counter.

The counter contains the sum of all messages, which the slave has recorded on the bus. This count includes all the messages transmitted by the master and the other slaves. The count does not include the response messages of this slave.

Definition of the received and returned data:

Sub-function	Received data field	Transmitted data field
00 0B	00 00	Message counter

3.9.7 Return transmission of the counter for faulty message transmissions

The slave is instructed to return the value of its counter for faulty message transmissions.

The counter contains the sum of all messages addressed to the slave, in which an error was detected. Hereby, the faults can be CRC or parity errors.

Definition of the received and returned data:

Sub-function	Received data field	Transmitted data field
00 0C	00 00	Contents of counter for faulty message transmissions

3.9.8 Return transmission of the counter for messages answered with error code

The slave is instructed to return the value of its counter for the messages answered with error code. The counter contains the sum of all messages addressed to the slave, and which were answered with an error code.

Definition of the received and returned data:

Sub-function	Received data field	Transmitted data field
00 0D	00 00	Contents of counter for messages answered with an error code

3.9.9 Return transmission of the message counter for this slave

The slave is instructed to return the value of its counter for messages to this slave.

The counter contains the sum of all messages addressed to the slave.

Definition of the received and returned data:

Sub-function	Received data field	Transmitted data field
00 0E	00 00	Contents of counter for messages addressed to this slave

3.9.10 Return transmission of the counter for unanswered messages

The slave is instructed to return the value of its counter for unanswered messages.

The counter contains the sum of all messages addressed to the slave, which were not answered because of internal events or detected errors.

Definition of the received and returned data:

Sub-function	Received data field	Transmitted data field
00 0F	00 00	Contents of counter for unanswered messages

3.9.11 Return transmission of the counter for messages answered with NAK

The slave is instructed to return the value of its counter for messages answered with NAK.
The counter contains the sum of all messages addressed to the slave, which were answered with NAK.
Definition of the received and returned data:

Sub-function	Received data field	Transmitted data field
00 10	00 00	Contents of counter for messages answered with NAK

3.9.12 Return transmission of the counter for messages answered with Busy

The slave is instructed to return the value of its counter for messages answered with Busy.
The counter contains the sum of all messages addressed to the slave, which were answered with Busy.
Definition of the received and returned data:

Sub-function	Received data field	Transmitted data field
00 12	00 00	Contents of counter for messages answered with Busy

3.9.13 Return transmission of the parity error counter

The slave is instructed to return the value of its counter for parity errors.
The counter contains the sum of all messages addressed to the slave, in which a parity error was detected.
Definition of the received and returned data:

Sub-function	Received data field	Transmitted data field
00 40	00 00	Contents of counter for the number of parity errors

3.9.14 Return transmission of the framing error counter

The slave is instructed to return the value of its counter for the number of framing errors.
The counter contains the sum of all messages addressed to the slave, in which a framing error was detected. A framing error occurs, if the stop bit at the end of a byte is not detected.
Definition of the received and returned data:

Sub-function	Received data field	Transmitted data field
00 41	00 00	Contents of counter for the number of framing errors

3.9.15 Return transmission of the counter for too long messages

The slave is instructed to return the value of its counter for too long messages.
The counter contains the sum of all messages addressed to the slave, which caused an overflow of the receiving buffer, or if the data were not retrieved from the UART quickly enough.
Definition of the received and returned data:

Sub-function	Received data field	Transmitted data field
00 42	00 00	Counter for too long messages

4

MODBUS addresses, address areas, and address formats

4.1

Area definitions

The address is coded in 2 bytes. The most significant 3 bits determine the data transmission format. The following formats are available for *rail line* devices:

- **Integer**
- **Integer with 1 decimal**
- **(Float acc. to IEEE)**

Address area		Data transfer format	Smallest transferable value	Largest transferable value	Resolution
hex	dez.				
0x0000 ... 0x1FFF	0 ... 8191	Integer without decimals	-30000	+32000	+/- 1
0x2000 ... 0x3FFF	8192 ... 16383	Integer with 1 decimal	-3000.0	+3200.0	+/- 0.1
0x4000 ... 0x7FFF	16384...32767	Float (IEEE format)	-1.0 E+037	+1.0 E+037	+/-1.4E-045



For integer numbers with and without decimals, the value range -30000 to +32000 is transmitted via the interface. Scaling with the factor 1 or 10 must be carried out by the transmitting device as well as by the receiving device.



- **Values are transmitted in the Motorola format (big endian).**
- **The relevant areas are grouped for process data, parameter and configuration data reading and writing.**
- **Multiple definition of process data in different groups is possible.**

4.2

Special values

The following special values are defined for transmission in the integer format:

- -31000 Sensor fault
This value is returned for data that do not represent a meaningful value due to a sensor fault.
- -32000 Switch-off value
The function is disabled.
- -32500 Undefined value
The device returns this value, if a datum is not defined within the requested range („NOT DEFINED VALUE“).
- -32768 Corresponds to 0x8000 hex.
The value to be transmitted lies outside the transferable integer value range.

The following special values are defined for transmission in the Float format:

- -1.5E37 This datum is not defined.
The device returns this value, if a datum is not defined within the requested range.

4.3

Composition of the address tables

In the address tables shown in Section 5, the addresses for every parameter of the corresponding data format are specified in decimal values.

The tables are structured as follows:

Name	R/W	Address	Integer	Real	Type	Value/off	Description
		base 1dP					

- Name Description of the datum
- R/W permitted type of access: R = read, W = write
- Address integer Address for integer values
- base Integer without decimals
- 1 dP Integer with 1 decimal
- Real Floating point number / Float (IEEE format)
- Type internal data type
- Value/off permissible value range, switch-off value available
- Description Explanations

4.4

Internal data types

The following data types are assigned to data used in the device:

- Float
Floating point number
Value range: -1999 ... -0.001, 0, 0.001 ... 9999
- INT
Positive whole integer number
Value range: 0 ... 65535
Exception: Switch-off value '-32000'
- Text
Text string consisting of n characters, currently defined n = 5
Permissible characters: 20H...7FH
- Long
Positive whole Long number
Value range: 0 ... 99999
- Enum
Selection value

5

Index

Index

A

- address areas 27 - 28
- address formats 27 - 28
- address tables 31 - 32
- addressing 5
- area definitions 27

B

- baudrate 13
- broadcast 17
- broadcast - mode 18
- bus adress 13
- bus protocol 17 - 26
- bus segment 15
- busprotocol 17 - 26

C

- cable installation 11
- cable screen 16
- commissioning the interface 6 - 14
- composition of the address tables 28
- CRC 17 - 18

D

- data 17
- device address 17
- diagnosis 23 - 26

E

- electrical connections 6 - 12
- end of frame detection 18
- error codes 22
- error record 22

F

- format
 - float 27
 - float acc. to ieee 27
 - integer 27
 - motorola 27
- four-wire 9
- function code 17, 19 - 20
- function codes 19 - 20

G

- general message frame 17

I

- installation notes 13
- internal data types 28

L

- lead length 5

M

- max. length 14
- maximum configuration 15

- modbus addresses 27 - 28
- modem operation 18
- mounting 6

P

- parity error 14

R

- reading values 19
- references 5
- repeater 15
- response delay 18
- RS 422 9
- RS 485 7

S

- screening 11
- special values 27
 - sensor fault 27
 - undefined value 27
- stop bit 13

T

- terminating resistors 11
- transmission byte 17
- transmission format 27
- two-wire 7

U

- unicast - mode 18

W

- wiring 16
- writing a value 20
- writing several values 21

6

Address tables

The following sections describe the address tables for:

- **Universal process controller KS 90-1 / KS92-1**
- **Universal programmer KS 90-1P / KS 92-1P**

6.1

Notes to program addresses

Please note the following rules for addressing the programs of the programmer KS 90-1 *programmer* / KS 92-1 *programmer*:

- The currently active program can be addressed with 6100 ff.
- The start addresses of the stored programs begin with address 6200 ff for program 1, 6300 ff for program 2 and so on (see table below)
- The program structure is equal for each program.

	Program start addresses				
	base	1 dP	2 dP	3dP	real
currently active program	6100	14292	22484	30676	44968
Program 1	6200	14392	22584	30776	45168
Program 2	6300	14492	22684	30876	45368
Program 3	6400	14592	22784	30976	45768
Program 4	6500	14692	22884	31076	45968
Program 5	6600	14792	22984	31176	46168
Program 6	6700	14892	23084	31276	46368
Program 7	6800	14992	23184	31376	46568
Program 8	6900	15092	23284	31476	46768
Program 9	7000	15192	23384	31576	46968
Program 10	7100	15292	23484	31676	47168
Program 11	7200	15392	23584	31776	47368
Program 12	7300	15492	23684	31876	47568
Program 13	7400	15592	23784	31976	47768
Program 14	7500	15692	23884	32076	47968
Program 15	7600	15792	23984	32176	48168
Program 16	7700	15892	24084	32276	48368


-  Changes in the active program (address 6100ff) are not stored permanently. If a program value should be stored permanently, then write the value to the stored program address directly.

Table Of Contents

1 Cntr

• ConF

Name	r/w	Adr.	Integer	real	Typ	Value/off	Description
SP.Fn	r/w	base	3150	39068	Enum	Enum_SPFN	Basic configuration for setpoint processing, e.g. 'setpoint controller switchable to external setpoint'. Configuration of special, controller-dependent setpoint functions.
		1dP	11342				
		2dP	19534				
		3dP	27726				
						0	set-point controller can be switched over to external set-point (->LOGI/SP.E)
						1	Program controller for setpoint profile. The program profile is definable by the user.
						10	controller with start-up circuit.The start-up function is a protective function, e.g. with hot runner control. To prevent destruction of high-performance heating elements, they must be heated slowly to remove any humidity. With activated start-up function, the controller maintains the reduced starting temperature for a defined dwell period. Subsequently, the controller switches over to the main setpoint.
						11	Setpoint controllers are switchable to external setpoint and to a second setpoint, always with the start-up function.The start-up function is a protective function, e.g. with hot runner control. To prevent destruction of high-performance heating elements, they must be heated slowly to remove any humidity. With activated start-up function, the controller maintains the reduced starting temperature for a defined dwell period. Subsequently, the controller switches over to the main setpoint.
C.Fnc	r/w	base	5050	42868	Enum	Enum_CFnc	Control behaviour (algorithm) referred to output value: e.g. 2- or 3-point controller, signaller, 3-point stepping control.
		1dP	13242				
		2dP	21434				
		3dP	29626				
						0	on/off controller or signaller with one output. The on/off controller or signaller switches if the process value drifts from the setpoint more than the hysteresis.
						1	PID control, e.g. heating, with one output: Switched as a digital output (2-point) or used as an analog output (continuous). PID controllers respond quickly to changes of the control deviation, and typically do not exhibit any permanent control offset.
						2	D / Y / Off, or 2-point controller with partial/full load switch-over. 2 digital outputs: Y1 is the switching output and Y2 is the changeover contact for D/Y.
						3	2 x PID control, e.g. heating/cooling. Two outputs: Switched as a digital output (3-point) or used as an analog output (continuous). PID controllers respond quickly to changes of the control deviation, and typically do not exhibit any permanent control offset.
						4	3-point stepping controller, e.g. for motor actuators. Two digital outputs. No actuating pulses are generated when the process is lined out.
mAn	r/w	base	5051	42870	Enum	Enum_mAn	Enables the output value to be adjusted in manual operation. If adjustment is not enabled, the output value cannot be changed in manual operation, neither with the front keys nor via the interface.Note: This setting does not affect the auto/manual switchover function.
		1dP	13243				
		2dP	21435				
		3dP	29627				
						0	The output value cannot be changed in manual operation, neither with the front keys nor via the interface.
						1	The output value is to be adjusted in manual operation (see also LOGI/mAn).
C.Act	r/w	base	5052	42872	Enum	Enum_CAct	Operating sense of the controller. Inverse operation (e.g. heating) means increased heat input when the process value falls. Direct operation (e.g. cooling) means increased heat input when the process value increases.
		1dP	13244				
		2dP	21436				
		3dP	29628				
						0	Inverse or opposed-sense response, e.g. heating. The controller output is increased with a falling process value, and decreased with a rising process value.
						1	Direct or same-sense response, e.g. cooling. The controller output is increased with a rising process value, and decreased with a falling process value.

1 Cntr

• ConF

Name	r/w	Adr.	Integer	real	Typ	Value/off	Description
FAIL	r/w	base	5053	42874	Enum	Enum_FAIL	With the sensor break response, the operator determines the instrument's reaction to a sensor break, thus ensuring a safe process condition.
		1dP	13245				
		2dP	21437				
		3dP	29629				

- 0 controller outputs switched off
- 1 y = parameter Y2 (Caution: fixed parameter Y2, not controller output Y2!).
Note for three-point stepping controller: With Y2 < 0.01 CLOSED is set (DY= -100%), with 0.01 =< Y2 =< 99.9 no output is set (DY=0%), with Y2 > 99.9 OPEN is set (DY= +100%).
Note for signallers: With Y2 < 0.01 OFF is set, with 0.01 =< Y2 =< 99.9 status keeps unchanged, with Y2 > 99.9 ON is set.
- 2 y = mean output. The maximum permissible output can be adjusted with parameter Ym.H. To prevent determination of inadmissible values, mean value formation is only if the control deviation is lower than parameter L.Ym.
- 3 y = mean output, manual operation enabled. The maximum permissible output can be adjusted with parameter Ym.H. To prevent determination of inadmissible values, mean value formation is only if the control deviation is lower than parameter L.Ym.

rnG.L	r/w	base	5059	42886	Float	-1999...9999	<input type="checkbox"/>	Lower limit for the controller's operating range. The control range is independent of the measurement range. Reducing the control range will increase the sensitivity of the self-tuning process.
		1dP	13251					
		2dP	21443					
		3dP	29635					
rnG.H	r/w	base	5060	42888	Float	-1999...9999	<input type="checkbox"/>	Upper limit for the controller's operating range. The control range is independent of the measurement range. Reducing the control range will increase the sensitivity of the self-tuning process.
		1dP	13252					
		2dP	21444					
		3dP	29636					
SP2C	r/w	base	5054	42876	Enum	Enum_SP2C		When switching over to the 2nd setpoint SP.2, control is performed without cooling.
		1dP	13246					
		2dP	21438					
		3dP	29630					

- 0 Standard (cooling permitted with all setpoints).
- 1 No cooling with active SP.2.

CYCL	r/w	base	5055	42878	Enum	Enum_CYCL		Duty cycle for 2-point and 3-point controllers. Internally, the controller calculates a continuous output value, which is converted into switching pulses for digital outputs. The user can adapt the setting to calculate various duty cycles (on/off ratio).
		1dP	13247					
		2dP	21439					
		3dP	29631					

- 0 Standard. 'Bathtub curve'. The adjusted duty cycles t1 and t2 are valid for ± 50% control output. With very small and very large control outputs, the effective duty cycle is increased sufficiently to prevent nonsensically short operating pulses. The shortest pulses are limited to ¼ of t1 and ¼ of t2.
- 1 Linear water cooling (standard switching behaviour for heating). Cooling only starts above an adjustable temperature value (E.H2O). Cooling 'On' with fixed pulse duration (t.on). Cooling 'Off' with minimum pulse duration (t.off), which varies according to controller output.
- 2 Non-linear water cooling (standard switching behaviour for heating). The cooling characteristic ensures that controller action is relatively weak between 0 and approx. 70% of controller output. Above that, controller action increases rapidly up to the maximum cooling rate. The parameter 'F.H2O' can be used to alter the curve of the cooling characteristic.
- 3 With constant pulses for heating and cooling. The adjusted duty cycles t1 and t2 are maintained over the entire output range. The parameter tp is used to adjust the minimum pulse duration. Shorter pulses are added internally until a pulse of length tp can be generated.

1 Cntr

• ConF

Name	r/w	Adr.	Integer	real	Typ	Value/off	Description
tunE	r/w	base	5056	42880	Enum	Enum_tune	Self-tuning procedure / sequence. Choice between: step response tuning during start-up and pulse response tuning at setpoint; or pulse response tuning during start-up and at setpoint; or only step response tuning during start-up, and no tuning at setpoint (no pulse).

0 At start-up with step function, impulse function at setpoint.
The step function at start up requires a control deviation of more than 10% of the control range. At setpoint, with control deviation less than 10% of the control range, tuning is done with the impulse function.

1 At start-up with impulse function. Setting for fast controlled systems (e.g. hot runner control).
Always tuning with impulse function. At start up, with a control deviation of more than 10% of the control range, the control loop is optimized for a wide control range. At set-point the control deviation during self-tuning is small.

2 At start up and at set-point always tune step function at start up.
Tuning is done with step function at start up, regardless of the control deviation.

Name	r/w	base	5057	42882	Enum	Enum_Strt	Description
Strt	r/w	1dP	13249				Start of self-tuning. Self-tuning can always be started manually at the request of the operator. Here, it is possible to determine that self-tuning is started automatically under the following conditions: On power-up or when an oscillation of the process value is detected.

0 no automatic start (manual start via front interface)

1 Manual or automatic start of auto-tuning at power on or when oscillating is detected (oscillating of process value by more than $\pm 0.5\%$ of the control range, and simultaneously the output value by more than 20%.) Note: Though the process is unchanged, at power on always the (time-consuming) auto-tuning is started.

Name	r/w	base	5061	42890	Enum	Enum_Adt0	Description
Adt0	r/w	1dP	13253				Optimization of the switching cycles t1 and t2 for the DED conversion can be disabled here. In order to fine-tune the positioning action, the switching periods are changed by the self-tuning function, if automatic tuning is configured.

0 The cycle duration is determined by auto-tuning. Thereby the best controlling results are obtained.

1 The cycle duration is not determined by auto-tuning. An oversized cycle duration causes bad control behavior. An undersized cycle duration causes a more frequent switching, which can raise the wearout of mechanical actuators (relay, contactor).

• PArA

Name	r/w	Adr.	Integer	real	Typ	Value/off	Description
Pb1	r/w	base	5000	42768	Float	1...9999	<input type="checkbox"/> Proportional band 1 (heating) in engineering unit, e.g. °C. Pb defines the relationship between controller output and control deviation. The smaller Pb is, the stronger is the control action for a given control deviation. If Pb is too large or too small, the control loop will oscillate (hunting).
		1dP	13192				
		2dP	21384				
		3dP	29576				
Pb2	r/w	base	5001	42770	Float	1...9999	<input type="checkbox"/> Proportional band 2 (cooling) in engineering units, e.g. °C. Pb defines the relationship between controller output and control deviation. The smaller Pb is, the stronger is the control action for a given control deviation. If Pb is too large or too small, the control loop will oscillate (hunting).
		1dP	13193				
		2dP	21385				
		3dP	29577				

1 Cntr

• PArA

Name	r/w	Adr.	Integer	real	Typ	Value/off		Description
ti1	r/w	base 1dP 2dP 3dP	5002 13194 21386 29578	42772	Float	1...9999	<input checked="" type="checkbox"/>	Integral action time 1 (heating) [s]. Ti is the time constant of the integral portion. The smaller Ti is, the faster is the response of the integral action. Ti too small: Control tends to oscillate. Ti too large: Control is sluggish and needs a long time to line out.
ti2	r/w	base 1dP 2dP 3dP	5003 13195 21387 29579	42774	Float	1...9999	<input checked="" type="checkbox"/>	Integral action time 2 (cooling) [s]. Ti is the time constant of the integral portion. The smaller Ti is, the faster is the response of the integral action. Ti too small: Control tends to oscillate. Ti too large: Control is sluggish and needs a long time to line out.
td1	r/w	base 1dP 2dP 3dP	5004 13196 21388 29580	42776	Float	1...9999	<input checked="" type="checkbox"/>	Derivative action time 1 (heating) [s], second parameter set. Td is the time constant of the derivative portion. The faster the process value changes, and the larger the value of Td is, the stronger will be the derivative action. Td too small: Very little derivative action. Td too large: Control tends to oscillate.
td2	r/w	base 1dP 2dP 3dP	5005 13197 21389 29581	42778	Float	1...9999	<input checked="" type="checkbox"/>	Derivative action time 2 (cooling) [s], second parameter set. Td is the time constant of the derivative portion. The faster the process value changes, and the larger the value of Td is, the stronger will be the derivative action. Td too small: Very little derivative action. Td too large: Control tends to oscillate.
t1	r/w	base 1dP 2dP 3dP	5006 13198 21390 29582	42780	Float	0,4...9999	<input type="checkbox"/>	Minimum duty cycle 1 (heating) [s]. With the standard duty cycle converter, the shortest pulse duration is 1/4 x t1. If the duty cycle is not to be optimized, this must be entered in the configuration. (Default: Optimization of the duty cycle during self-tuning, but also if the output value is less than 5%).
t2	r/w	base 1dP 2dP 3dP	5007 13199 21391 29583	42782	Float	0,4...9999	<input type="checkbox"/>	Minimum duty cycle 2 (cooling) [s]. With the standard duty cycle converter, the shortest pulse duration is 1/4 x t1. If the duty cycle is not to be optimized, this must be entered in the configuration. (Default: Optimization of the duty cycle during self-tuning, but also if the output value is less than 5%).
SH	r/w	base 1dP 2dP 3dP	5014 13206 21398 29590	42796	Float	0...9999	<input type="checkbox"/>	Neutral zone, or switching difference of the signaller [engineering unit]. Too small: unnecessarily high switching frequency. Too large: reduced controller sensitivity. With 3-point controllers this slows down the direct transition from heating to cooling. With 3-point stepping controllers, it reduces the switching operations of the actuator around setpoint.
d.SP	r/w	base 1dP 2dP 3dP	5016 13208 21400 29592	42800	Float	-1999...9999	<input type="checkbox"/>	Separation of the D / Y switch-over point from the setpoint [engineering unit]. With a significant control deviation heating start is in delta connection. When the control deviation increases, the instrument switches over to reduced power (Y connection) for line-out to the set-point.
tp	r/w	base 1dP 2dP 3dP	5009 13201 21393 29585	42786	Float	0,1...9999	<input checked="" type="checkbox"/>	Minimum pulse duration [s]. Used for switching with constant periods. For positioning values that require a shorter pulse than adjusted for 'tp', the output is suppressed, but 'remembered'. The controller continues adding the internal short pulses until a value equal to 'tp' can be output.

1 Cntr

• PArA

Name	r/w	Adr.	Integer	real	Typ	Value/off		Description
tt	r/w	base 1dP 2dP 3dP	5015 13207 21399 29591	42798	Float	3...9999	<input type="checkbox"/>	Travel time of the actuator motor [s]. If no feedback signal is available, the controller calculates the actuator position by means of an integrator and the adjusted motor travel time. For this reason, a precise definition of the motor travel time between min and max (0% and 100%) is important.
Y.Lo	r/w	base 1dP 2dP 3dP	5018 13210 21402 29594	42804	Float	-105...105	<input type="checkbox"/>	Lower output limit [%] The range is dependant of the type of controller: 2 point controller: 0...ymax+1 3 point controller: -105 ymax-1
Y.Hi	r/w	base 1dP 2dP 3dP	5019 13211 21403 29595	42806	Float	-105...105	<input type="checkbox"/>	Upper output limit [%] The range is ymin+1105
Y2	r/w	base 1dP 2dP 3dP	5017 13209 21401 29593	42802	Float	-100...100	<input type="checkbox"/>	Second positioning value [%]. Activated Y2 = positioner control. Caution: The parameter 'positioning output Y2' must not be confused with the controller output Y2!
Y.0	r/w	base 1dP 2dP 3dP	5020 13212 21404 29596	42808	Float	-105...105	<input type="checkbox"/>	Offset for die positioning value [%]. This is added to the controller output, and has the most effect with P and PD controllers. (With PID controllers, the effect is compensated by the integral action.) With a control deviation = 0, the P controller generates a control output Y0.
Ym.H	r/w	base 1dP 2dP 3dP	5021 13213 21405 29597	42810	Float	-105...105	<input type="checkbox"/>	Limit for the mean control output value Ym in case of sensor break [%]. The mean control output value is configurable as the response to sensor break. The maximum mean output value = YmH.
L.Ym	r/w	base 1dP 2dP 3dP	5022 13214 21406 29598	42812	Float	1...9999	<input type="checkbox"/>	Max. control deviation (xw), at the start of mean value calculation [engineering unit]. When calculating the mean value, data are only taken into account if the control deviation is small enough. 'Lym' is a preset value that determines how precisely the calculated output value is matched to the setpoint.
E.H2O	r/w	base 1dP 2dP 3dP	5013 13205 21397 29589	42794	Float	-1999...9999	<input type="checkbox"/>	Min. temperature for water cooling. Below the set temperature no water cooling happens
t.on	r/w	base 1dP 2dP 3dP	5010 13202 21394 29586	42788	Float	0,1...9999	<input type="checkbox"/>	Impulse length for water cooling. Fixed for all values of controller output. The pause time is varied.
t.oFF	r/w	base 1dP 2dP 3dP	5011 13203 21395 29587	42790	Float	1...9999	<input type="checkbox"/>	Min. pause time for water cooling. The max. effective controller output results from t.on/(t.on+t.off)-100%

1 Cntr

• PArA

Name	r/w	Adr.	Integer	real	Typ	Value/off	Description
F.H2O	r/w	base 1dP 2dP 3dP	5012 13204 21396 29588	42792	Float	0,1...9999 <input type="checkbox"/>	Adaptation of the (non-linear) water-cooling characteristic. If the cooling action is very strong, and causes an unfavourable transition between heating and cooling, a non-linear characteristic can reduce the cooling action considerably. Adjust FH20 = 1 for output values up to -70%; FH20 = 2 for values up to approx. -80%, and FH20 = 0.5 for up to approx. -60%.
HYS.L	r/w	base 1dP 2dP 3dP	5028 13220 21412 29604	42824	Float	0...9999 <input type="checkbox"/>	Switching hysteresis below the setpoint of the signaller [engineering unit].
HYS.H	r/w	base 1dP 2dP 3dP	5029 13221 21413 29605	42826	Float	0...9999 <input type="checkbox"/>	Switching hysteresis above the setpoint of the signaller [engineering unit].

• Signal

Name	r/w	Adr.	Integer	real	Typ	Value/off	Description
Tu2	r	base 1dP 2dP 3dP	5145 13337 21529 29721	43058	Float	0...9999 <input type="checkbox"/>	'Cooling' delay time of the loop. Tu is calculated by the self-tuning function: It is the time delay before the process reacts significantly. In effect, Tu is a dead time that is determined by the reaction of the process to a change of the control output. It is used for defining controller action.
Vmax2	r	base 1dP 2dP 3dP	5146 13338 21530 29722	43060	Float	0...9999 <input type="checkbox"/>	Max. rate of change for 'cooling', i.e. the fastest process value increase during self-tuning. Vmax is calculated by the self-tuning function, and is determined by the reaction of the process to a change of the control output. It is used for defining controller action.
Kp2	r	base 1dP 2dP 3dP	5147 13339 21531 29723	43062	Float	0...9999 <input type="checkbox"/>	Process gain for 'cooling'. For control loops with self-regulation, process gain is the ratio determined by the change of the control output and the resulting permanent change of the process value. Kp is calculated by the self-tuning function, and is used for defining controller action.

1 Cntr

• Signal

Name	r/w	Adr.	Integer	real	Typ	Value/off	Description
St.Cntr	r	base 1dP 2dP 3dP	5100 13292 21484 29676	42968	Int	0...65535 <input type="checkbox"/>	Status informations of the controller.f.e. switching signals, controller off or informations about selftuning. The controller sratus shows the actual adjustments of the controller. Bit 0: Switching signal heating: 0: off 1: on Bit 1: Switching signal cooling: 0: off 1: on Bit 2: Sensor error 0: ok 1: error Bit 3: Controlsignal: Manual/automatic 0: automatic 1: manual Bit 4: Controlsignal: Y2 0: Y2 not activ 1: Y2 activ Bit 5: Controlsignal: Ext. setting of outputsignal 0: not activ 1: activ Bit 6: Controlsignal: Controller off 0: contr. on 1: contr. off Bit 7: Controlsignal:The activ parameter set 0: parameterset 1 1: parameterset 2 Bit 8: Loopalarm 0: no alarm 1: alarm Bit 9: Soft start function 0: not activ 1: activ Bit 10: Rate to setpoint 0: not activ 1: activ Bit 11: Not used Bit 12-15: Internal functional statuses (operating state) 0 0 0 0 Automatic 0 0 0 1 Selftuning is running 0 0 1 0 Selftuning faulty (Waiting for operator signal) 0 0 1 1 Sensor error 0 1 0 0 Not used 0 1 0 1 Manual 0 1 1 1 Not used 1 0 0 0 Manual, with external presetting of the outputsignal 1 0 0 1 Outputs switched off (neutral) 1 0 1 0 Abortion of the selftuning (by control- or error-signal)
diFF	r	base 1dP 2dP 3dP	5104 13296 21488 29680	42976	Float	-1999...9999 <input type="checkbox"/>	Control deviation, is defined as process value minus setpoint. Positive Xw means that the process value is above the setpoint. A small control deviation indicates precise control.
POS	r	base 1dP 2dP 3dP	5105 13297 21489 29681	42978	Float	0...100 <input type="checkbox"/>	The position feedback Yp shows the actuator position with 3-point stepping controllers. If Yp is outside the limits Ymin and Ymax, the output of positioning pulses is suppressed.
Tu1	r	base 1dP 2dP 3dP	5141 13333 21525 29717	43050	Float	0...9999 <input type="checkbox"/>	'Heating' delay time of the loop. Tu is calculated by the self-tuning function: It is the time delay before the process reacts significantly. In effect, Tu is a dead time that is determined by the reaction of the process to a change of the control output. It is used for defining controller action.

1 Cntr

• Signal

Name	r/w	Adr.	Integer	real	Typ	Value/off	Description
Ypid	r	base 1dP 2dP 3dP	5103 13295 21487 29679	42974	Float	-120...120 <input type="checkbox"/>	Output value Ypid is the output signal determined by the controller, and from which the switching pulses for the digital and analog control outputs are calculated. Ypid is also available as an analog signal. e.g. for visualization.
Ada.St	r/w	base 1dP 2dP 3dP	5150 13342 21534 29726	43068	Enum	Enum_AdaStart	Starting / stopping the self-tuning function. After the start signal, the controller waits until the process reaches a stable condition (PIR) before it starts the self-tuning process. Self-tuning can be aborted manually at any time. After a successful self-tuning attempt, the controller automatically resumes normal operation.
						0	'Stop' will abort the self-tuning process, and the controller returns to normal operation with the previous parameter settings.
						1	Start of the self-tuning process is possible during manual or automatic controller operation.
Yman	r/w	base 1dP 2dP 3dP	5151 13343 21535 29727	43070	Float	-110...110 <input type="checkbox"/>	Absolute preset output value, which is used as output value during manual operation. Caution: With 3-point stepping controllers, Yman (evaluated the same as Dyman) is added to the actual output value as a relative shift.
dYman	r/w	base 1dP 2dP 3dP	5152 13344 21536 29728	43072	Float	-220...220 <input type="checkbox"/>	Differential preset output value, which is added to the actual output value during manual operation. Negative values reduce the output.
Yinc	r/w	base 1dP 2dP 3dP	5153 13345 21537 29729	43074	Enum	Enum_YInc	Increasing the output value. There are two speeds: 40 s or 10 s for the change from 0 % to 100 %. Note: The 3-point stepping controller translates the increments as UP.
						0	Not active
						1	increment output
Ydec	r/w	base 1dP 2dP 3dP	5154 13346 21538 29730	43076	Enum	Enum_YDec	Decreasing the output value. There are two speeds: 40 s or 10 s for the change from 0 % to 100 %. Note: The 3-point stepping controller translates the increments as DOWN.
						0	Not active
						1	decrement output
SP.EF	r	base 1dP 2dP 3dP	5101 13293 21485 29677	42970	Float	-1999...9999 <input type="checkbox"/>	Effective setpoint. The value reached at the end of setpoint processing, after taking W2, external setpoint, gradient, boost function, programmer settings, start-up function, and limit functions into account. Comparison with the effective process value leads to the control deviation, from which the necessary controller response is derived.
In.1	r	base 1dP 2dP 3dP	5102 13294 21486 29678	42972	Float	-1999...9999 <input type="checkbox"/>	Measurement value after the measurement value correction (e.g. with offset or 2-point correction, and scaling).

1 Cntr

• Signal

Name	r/w	Adr.	Integer	real	Typ	Value/off	Description
St.Tune	r	base	5140	43048	Int	0...65535	<input type="checkbox"/> Status information during self-tuning, e.g. the actual condition, and possible results, warnings, and error messages.
		1dP	13332				
		2dP	21524				
		3dP	29716				
Bit 0 Process lined out; 0 = No; 1 = Yes Bit 1 Operating mode 'Self-tuning controller; 0 = Off; 1 = On Bit 2 Result of controller self-tuning; 0 = OK; 1 = Fault Bit 3 - 7 Not used Bit 8 - 11 Result of the 'heating' attempt 0 0 0 0 No message / Attempt still running 0 0 0 1 Successful 0 0 1 0 Successful, with risk of exceeded setpoint 0 0 1 1 Error: Wrong operating sense 0 1 0 0 Error: No response from process 0 1 0 1 Error: Turning point too low 0 1 1 0 Error: Risk of exceeded setpoint 0 1 1 1 Error: Step output too small 1 0 0 0 Error: Setpoint reserve too small Bit 12 - 15 Result of 'cooling' attempt (same as heating attempt)							
Vmax1	r	base	5142	43052	Float	0...9999	<input type="checkbox"/> Max. rate of change for 'heating', i.e. the fastest process value increase during self-tuning. Vmax is calculated by the self-tuning function, and is determined by the reaction of the process to a change of the control output. It is used for defining controller action.
		1dP	13334				
		2dP	21526				
		3dP	29718				
Kp1	r	base	5143	43054	Float	0...9999	<input type="checkbox"/> Process gain for 'heating'. For control loops with self-regulation, process gain is the ratio determined by the change of the control output and the resulting permanent change of the process value. Kp is calculated by the self-tuning function, and is used for defining controller action.
		1dP	13335				
		2dP	21527				
		3dP	29719				

1 Cntr

• Signal

Name	r/w	Adr.	Integer	real	Typ	Value/off	Description	
Msg2	r	base	5148	43064	Enum	Enum_Msg	The result of self-tuning for 'cooling' indicates whether self-tuning was successful, and with what result.	
		1dP	13340					
		2dP	21532					
		3dP	29724					
							0	No message / Tuning attempt still running
							1	Self-tuning has been completed successfully. The new parameters are valid.
							2	Self-tuning was successful, but with a warning. The new parameters are valid. Note: Self-tuning was aborted due to the risk of an exceeded setpoint, but useful parameters were determined. Possibly repeat the attempt with an increased setpoint reserve.
							3	The process reacts in the wrong direction. Possible remedy: Reconfigure the controller (inverse <-> direct). Check the controller output sense (inverse <-> direct).
							4	No response from the process. Perhaps the control loop is open. Possible remedy: Check sensor, connections, and process.
							5	The process value turning point of the step response is too low. Possible remedy: Increase the permitted step output range, i.e. increase the parameter Y.Hi ('heating') or reduce the parameter Y.Lo ('cooling').
							6	Self-tuning was aborted due to the risk of an exceeded setpoint. No useful parameters were determined. Possible remedy: Repeat the attempt with an increased setpoint reserve.
							7	The step output change is not large enough (minimum change > 5 %). Possible remedy: Increase the permitted step output range, i.e. increase the parameter Y.Hi ('heating') or reduce the parameter Y.Lo ('cooling').
							8	The controller is waiting. Setpoint reserve must be given before generating the step output change. Acknowledgment of this error message leads to switch-over to automatic mode. If self-tuning shall be continued, change set-point, change process value, or decrease set-point range.
							9	Impulse tuning failed. No useful parameters were determined. The control loop is perhaps not closed: check sensor, connections and process.

1 Cntr

• Signal

Name	r/w	Adr.	Integer	real	Typ	Value/off	Description
Msg1	r	base	5144	43056	Enum	Enum_Msg	The result of self-tuning for 'heating' indicates whether self-tuning was successful, and with what result.
		1dP	13336				
		2dP	21528				
		3dP	29720				

0	No message / Tuning attempt still running
1	Self-tuning has been completed successfully. The new parameters are valid.
2	Self-tuning was successful, but with a warning. The new parameters are valid. Note: Self-tuning was aborted due to the risk of an exceeded setpoint, but useful parameters were determined. Possibly repeat the attempt with an increased setpoint reserve.
3	The process reacts in the wrong direction. Possible remedy: Reconfigure the controller (inverse <-> direct). Check the controller output sense (inverse <-> direct).
4	No response from the process. Perhaps the control loop is open. Possible remedy: Check sensor, connections, and process.
5	The process value turning point of the step response is too low. Possible remedy: Increase the permitted step output range, i.e. increase the parameter Y.Hi ('heating') or reduce the parameter Y.Lo ('cooling').
6	Self-tuning was aborted due to the risk of an exceeded setpoint. No useful parameters were determined. Possible remedy: Repeat the attempt with an increased setpoint reserve.
7	The step output change is not large enough (minimum change > 5 %). Possible remedy: Increase the permitted step output range, i.e. increase the parameter Y.Hi ('heating') or reduce the parameter Y.Lo ('cooling').
8	The controller is waiting. Setpoint reserve must be given before generating the step output change. Acknowledgment of this error message leads to switch-over to automatic mode. If self-tuning shall be continued, change set-point, change process value, or decrease set-point range.
9	Impulse tuning failed. No useful parameters were determined. The control loop is perhaps not closed: check sensor, connections and process.

YGrw	r/w	base	5155	43078	Enum	Enum_YGrwLs	Gradient of Y-variation 'slow' or 'fast'. Changes the positioning output speed. There are two speeds for output variation: from 0% to 100% in 40s or in 10s.
		1dP	13347				
		2dP	21539				
		3dP	29731				

0	Slow change of Y, from 0% to 100% in 40 seconds.
1	Fast change of Y, from 0% to 100% in 10 seconds.

2 InP.1

• ConF

Name	r/w	Adr.	Integer	real	Typ	Value/off	Description
S.tYP	r/w	base	1150	35068	Enum	Enum_StYP	Sensor type selection. For sensors with signals of resistance transducer, current or voltage measuring, scaling can be adjusted
		1dP	9342				
		2dP	17534				
		3dP	25726				
						0	thermocouple type L (-100...900°C), Fe-CuNi DIN Fahrenheit: -148...1652°F
						1	thermocouple type J (-100...1200°C), Fe-CuNi Fahrenheit: -148...2192°F
						2	thermocouple type K (-100...1350°C), NiCr-Ni Fahrenheit: -148...2462°F
						3	thermocouple type N (-100...1300°C), Nicrosil-Nisil Fahrenheit: -148...2372°F
						4	thermocouple type S (0...1760°C), PtRh-Pt10% Fahrenheit: 32...3200°F
						5	thermocouple type R (0...1760°C), PtRh-Pt13% Fahrenheit: 32...3200°F
						18	Special thermocouple with a linearization characteristic selectable by the user. This enables non-linear signals to be simulated or linearized.
						20	Pt100 (-200.0 ... 100.0(150.0)°C) Measuring range up to 150°C at reduced lead resistance. Fahrenheit: -328...212(302) °F
						21	Pt100 (-200.0 ... 850.0 °C) Fahrenheit: -328...1562 °F
						22	Pt 1000 (-200.0...850.0 °C) Fahrenheit: -328...1562 °F
						23	Special : 0...4500 Ohms. For KTY 11-6 with preset special linearization (-50...150 °C or -58...302 °F).
						30	Current : 0...20 mA / 4...20 mA
						40	0...10V / 2...10V

Name	r/w	base	Integer	real	Typ	Value/off	Description
S.Lin	r/w	base	1151	35070	Enum	Enum_SLin	Linearization (not adjustable for all sensor types S.tYP). Special linearization. The linearization table can be created with the Engineering Tool. The default characteristic is for KTY 11-6 temperature sensors.
		1dP	9343				
		2dP	17535				
		3dP	25727				
						0	No special linearization.
						1	Special linearization. Definition of the linearization table is possible with the Engineering Tool. The default setting is the characteristic of the KTY 11-6 temperature sensor.

Name	r/w	base	Integer	real	Typ	Value/off	Description
Corr	r/w	base	160	33088	Enum	Enum_Corr3	Measured value correction / scaling
		1dP	8352				
		2dP	16544				
		3dP	24736				
						0	Without scaling
						1	The offset correction (in the CAL Level) can be done on-line in the process. If InL shows the lower input value of the scaling point, then OuL must be adjusted to the corresponding display value. Adjustments are made via the front panel keys of the device only.
						2	Two-point correction (in CAL-Level) ist possible offline via process value transmitter or on-line in the process. Set process value for the upper and lower scaling point and confirm as input value InL or InH, then set the belonging displayed value OuL and OuH. The settings are done via the front of the device.
						3	Scaling (at PArA-level). The input values for the upper (InL, OuL) and lower scaling point (InH, OuH) are visible at the parameter level. Adjustment is made via front operation or the engineering tool.

2 InP.1

• PArA

Name	r/w	Adr.	Integer	real	Typ	Value/off		Description
InL.1	r/w	base	1100	34968	Float	-1999...9999	<input type="checkbox"/>	Input value of the lower scaling point. Depending on sensor type, the input value can be scaled to the required display value in the Parameter Level. The display of the input value of the lower scaling point (e.g. 4 mA) is done using the corresponding electrical value.
		1dP	9292					
		2dP	17484					
		3dP	25676					
OuL.1	r/w	base	1101	34970	Float	-1999...9999	<input type="checkbox"/>	Display value of the lower scaling point. Depending on sensor type, the input value can be scaled to the required display value in the Parameter Level. The operator can change the display value of the lower scaling point, e.g. 4 mA is displayed as 2 [pH].
		1dP	9293					
		2dP	17485					
		3dP	25677					
InH.1	r/w	base	1102	34972	Float	-1999...9999	<input type="checkbox"/>	Input value of the upper scaling point. Depending on sensor type, the input value can be scaled to the required display value in the Parameter Level. The display of the input value of the upper scaling point (e.g. 20 mA) is done using the corresponding electrical value.
		1dP	9294					
		2dP	17486					
		3dP	25678					
OuH.1	r/w	base	1103	34974	Float	-1999...9999	<input type="checkbox"/>	Display value of the upper scaling point. Depending on sensor type, the input value can be scaled to the required display value in the Parameter Level. The operator can change the display value of the upper scaling point, e.g. 20 mA is displayed as 12 [pH].
		1dP	9295					
		2dP	17487					
		3dP	25679					
t.F1	r/w	base	1104	34976	Float	0...100	<input type="checkbox"/>	Filter time constant [s]. Every input is fitted with a digital (software) low-pass filter for suppressing process-related disturbances on the input leads. Higher filter settings improve the suppression, but increase the delay of the input signals.
		1dP	9296					
		2dP	17488					
		3dP	25680					

• Signal

Name	r/w	Adr.	Integer	real	Typ	Value/off		Description
In.1r	r	base	1170	35108	Float	-1999...9999	<input type="checkbox"/>	Measurement value before the measurement value correction (unprocessed).
		1dP	9362					
		2dP	17554					
		3dP	25746					
Fail	r	base	1171	35110	Enum	Enum_InpFail		Input circuit fault: faulty or incorrectly connected sensor.
		1dP	9363					
		2dP	17555					
		3dP	25747					

0	no error
1	sensor break
2	Incorrect polarity at input.
4	Short circuit at input.

In.1	r	base	1172	35112	Float	-1999...9999	<input type="checkbox"/>	Measurement value after the measurement value correction (e.g. with offset or 2-point correction, and scaling).
		1dP	9364					
		2dP	17556					
		3dP	25748					
F.Inp	r/w	base	1180	35128	Float	-1999...9999	<input type="checkbox"/>	Forcing the value for an analog input INP. Forcing involves the external operation of an input. The instrument takes over the value at this input like a measurement value (preset value for inputs from a superordinate system, e.g. for a function test.)
		1dP	9372					
		2dP	17564					
		3dP	25756					

3 InP.2

• ConF

Name	r/w	Adr.	Integer	real	Typ	Value/off	Description
I.Fnc	r/w	base	161	33090	Enum	Enum_IFnc	Selection of the function assigned to the value at INP2, e.g. value at INP2 is the external setpoint.
		1dP	8353				
		2dP	16545				
		3dP	24737				
						0	no function (subsequent input data are skipped)
						1	Heating current input.
						2	External setpoint SP.E or (depending on version) external setpoint shift SP.E. (Switchover is done via -> LOGI/SP.E).
						5	Preset for external positioning value Y.E (switchover via -> LOGI/Y.E)
S.tYP	r/w	base	1250	35268	Enum	Enum_StYP2	Sensor type selection. For sensors with signals of resistance transducer, current or voltage measuring, scaling can be adjusted.
		1dP	9442				
		2dP	17634				
		3dP	25826				
						30	Current : 0...20 mA / 4...20 mA
						31	0...50 mA current (AC)

• PArA

Name	r/w	Adr.	Integer	real	Typ	Value/off	Description
InL.2	r/w	base	1200	35168	Float	-1999...9999 <input type="checkbox"/>	Input value of the lower scaling point. Depending on sensor type, the input value can be scaled to the required display value in the Parameter Level. The display of the input value of the lower scaling point (e.g. 4 mA) is done using the corresponding electrical value.
		1dP	9392				
		2dP	17584				
		3dP	25776				
OuL.2	r/w	base	1201	35170	Float	-1999...9999 <input type="checkbox"/>	Display value of the lower scaling point. Depending on sensor type, the input value can be scaled to the required display value in the Parameter Level. The operator can change the display value of the lower scaling point, e.g. 4 mA is displayed as 2 [pH].
		1dP	9393				
		2dP	17585				
		3dP	25777				
InH.2	r/w	base	1202	35172	Float	-1999...9999 <input type="checkbox"/>	Input value of the upper scaling point. Depending on sensor type, the input value can be scaled to the required display value in the Parameter Level. The display of the input value of the upper scaling point (e.g. 20 mA) is done using the corresponding electrical value.
		1dP	9394				
		2dP	17586				
		3dP	25778				
OuH.2	r/w	base	1203	35174	Float	-1999...9999 <input type="checkbox"/>	Display value of the upper scaling point. Depending on sensor type, the input value can be scaled to the required display value in the Parameter Level. The operator can change the display value of the upper scaling point, e.g. 20 mA is displayed as 12 [pH].
		1dP	9395				
		2dP	17587				
		3dP	25779				

• Signal

Name	r/w	Adr.	Integer	real	Typ	Value/off	Description
In.2	r	base	1270	35308	Float	-1999...9999 <input type="checkbox"/>	Measurement value after the measurement value correction (e.g. with offset or 2-point correction, and scaling).
		1dP	9462				
		2dP	17654				
		3dP	25846				

3 InP.2

• Signal

Name	r/w	Adr.	Integer	real	Typ	Value/off	Description
Fail	r	base	1271	35310	Enum	Enum_InpFail	Input circuit fault: faulty or incorrectly connected sensor.
		1dP	9463				
		2dP	17655				
		3dP	25847				

0	no error
1	sensor break
2	Incorrect polarity at input.
4	Short circuit at input.

In.2r	r	base	1272	35312	Float	-1999...9999	<input type="checkbox"/>	Measurement value before the measurement value correction (unprocessed).
		1dP	9464					
		2dP	17656					
		3dP	25848					
F.Inp	r/w	base	1280	35328	Float	-1999...9999	<input type="checkbox"/>	Forcing the value for an analog input INP. Forcing involves the external operation of an input. The instrument takes over the value at this input like a measurement value (preset value for inputs from a superordinate system, e.g. for a function test.)
		1dP	9472					
		2dP	17664					
		3dP	25856					

4 Lim

• ConF

Name	r/w	Adr.	Integer	real	Typ	Value/off	Description
Fnc.1	r/w	base	2150	37068	Enum	Enum_Fcn	Activation and adjustment of the limit value alarm (e.g. for input circuit monitoring), e.g. with/without storage.
		1dP	10342				
		2dP	18534				
		3dP	26726				

0	No limit value monitoring.
1	measured value monitoring. The alarm signal is generated, if the limit is exceeded. If the measured value is within the limits (including hysteresis) again, this alarm signal is resetted.
2	Measured value monitoring + alarm status latch. An alarm signal is generated, if the limit is exceeded. A latched alarm signal remains latched until it is manually resetted.

4 Lim

• ConF

Name	r/w	Adr.	Integer	real	Typ	Value/off	Description
Src.1	r/w	base	2151	37070	Enum	Enum_Src	Source for limit value. Selection of which value is to be monitored.
		1dP	10343				
		2dP	18535				
		3dP	26727				

0	Process value = absolute alarm
1	control deviation x_w (process value - set-point) = relative alarm Note: Monitoring with the effective set-point W_{eff} . For example using a ramp it is the changing set-point, not the target set-point of the ramp.
2	Control deviation X_w (= relative alarm) with suppression during start-up and setpoint changes. Limit value monitoring is continued as soon as the control deviation comes within the alarm limits again, at the latest after $10 \cdot T_n$.
6	effective set-point W_{eff} . For example the ramp-function changes the effective set-point until it matches the internal (target) set-point.
7	correcting variable y (controller output)
8	control variable deviation x_w (actual value - internal set-point) = deviation alarm to internal set-point Note: Monitoring with the internal set-point W_{int} . For example using a ramp it is the target setpoint, not the changing set-point of the ramp.
11	Control deviation X_w (= relative alarm) with suppression during start-up and setpoint change. Limit value monitoring is continued as soon as the control deviation comes within the alarm limits again.

HC.AL	r/w	base	2050	36868	Enum	Enum_HCAL	Activation of alarm heat current function. Either overload or break can be monitored, overload = current $I >$ heat current limit, or break = current $I <$ heat current limit. Short circuit is monitored in both cases.
		1dP	10242				
		2dP	18434				
		3dP	26626				

0	No heating current alarm.
1	Overload and short circuit monitoring. Overload = current $I >$ heat current limit.
2	Break and short circuit monitoring. Break = current $I <$ heat current limit.

LP.AL	r/w	base	5058	42884	Enum	Enum_LPAL	Monitoring of control loop interruption (not possible with 3-point stepping controller, not possible with signaller)
		1dP	13250				
		2dP	21442				
		3dP	29634				

0	switched off / inactive
1	LOOP alarm is generated, if with $Y=100\%$ there is no corresponding reaction of the process variable within the time of $2 \cdot t_i$. Possible remedial action: Check heating or cooling circuit, check sensor and replace it, if necessary, check controller and switching device.

• PArA

Name	r/w	Adr.	Integer	real	Typ	Value/off	Description
L.1	r/w	base	2100	36968	Float	-1999...9999	<input checked="" type="checkbox"/> Lower limit value. The alarm is triggered if the value falls below the limit, and is reset with lower limit value plus hysteresis.
		1dP	10292				
		2dP	18484				
		3dP	26676				

4 Lim

• PArA

Name	r/w	Adr.	Integer	real	Typ	Value/off		Description
H.1	r/w	base 1dP 2dP 3dP	2101 10293 18485 26677	36970	Float	-1999...9999	<input checked="" type="checkbox"/>	Upper limit value. The alarm is triggered if the value rises above the limit, and is reset with upper lower limit value plus hysteresis.
HYS.1	r/w	base 1dP 2dP 3dP	2102 10294 18486 26678	36972	Float	0...9999	<input type="checkbox"/>	Hysteresis of the limit value. Switching difference for upper and lower limit value. The limit value must change by this amount (rise above upper limit or fall below lower limit) before the limit value alarm is reset.
dEL.1	r/w	base 1dP 2dP 3dP	2103 10295 18487 26679	36974	Float	0...9999	<input type="checkbox"/>	Delayed alarm of a limit value. The alarm is only triggered after the defined delay time. It is only indicated, and possibly stored, if it is still present after the delay time has elapsed.
HC.A	r/w	base 1dP 2dP 3dP	2000 10192 18384 26576	36768	Float	-1999...9999	<input type="checkbox"/>	Heating current monitoring limit [A]. Depending on configuration, and apart from short-circuit monitoring, an overload test checks whether the heating current is above the adjusted current limit, or below the limit when the heating is switched off. The heating current is measured by means of a current transformer (accessory), and the current range can be adapted.

• Signal

Name	r/w	Adr.	Integer	real	Typ	Value/off		Description
St.HC	r	base 1dP 2dP 3dP	2070 10262 18454 26646	36908	Int	0...3	<input type="checkbox"/>	Status of the heating current alarm. Displayable are heating current short-circuit and/or heating current alarm. Depending on configuration, the heating current alarm is either an interruption of heating current ($I < \text{limit value}$) or heating current overload ($I > \text{limit value}$).
HC	r	base 1dP 2dP 3dP	2071 10263 18455 26647	36910	Float	-1999...9999	<input type="checkbox"/>	Measured heating current [A]. Apart from the short circuit test, and depending on configuration, an overcurrent test (current $I > \text{heating current limit}$) and an open circuit test (current $I < \text{heating current limit}$) is executed. The heating current is measured by means of a (separate) current transformer, whereby the input range can be scaled.
SSr	r	base 1dP 2dP 3dP	2072 10264 18456 26648	36912	Float	-1999...9999	<input type="checkbox"/>	Measured current with SSr [A]. The heating current (SSr) is short circuited, if there is a current flow even though the controller output is switched off. Suggested remedy: check heating current circuit, replace solid-state relay if necessary.
St.Lim	r	base 1dP 2dP 3dP	2170 10362 18554 26746	37108	Enum	Enum_LimStatus		Limit value status: No alarm present or stored.

0	no alarm
1	latched alarm
2	A limit value has been exceeded.

5 Lim2

• ConF

Name	r/w	Adr.	Integer	real	Typ	Value/off	Description
Fnc.2	r/w	base	2250	37268	Enum	Enum_Fcn	Activation and adjustment of the limit value alarm (e.g. for input circuit monitoring), e.g. with/without storage.
		1dP	10442				
		2dP	18634				
		3dP	26826				
						0	No limit value monitoring.
						1	measured value monitoring. The alarm signal is generated, if the limit is exceeded. If the measured value is within the limits (including hysteresis) again, this alarm signal is reset.
						2	Measured value monitoring + alarm status latch. An alarm signal is generated, if the limit is exceeded. A latched alarm signal remains latched until it is manually reset.

Name	r/w	Adr.	Integer	real	Typ	Value/off	Description
Src.2	r/w	base	2251	37270	Enum	Enum_Src	Source for limit value. Selection of which value is to be monitored.
		1dP	10443				
		2dP	18635				
		3dP	26827				
						0	Process value = absolute alarm
						1	control deviation x_w (process value - set-point) = relative alarm Note: Monitoring with the effective set-point W_{eff} . For example using a ramp it is the changing set-point, not the target set-point of the ramp.
						2	Control deviation X_w (= relative alarm) with suppression during start-up and setpoint changes. Limit value monitoring is continued as soon as the control deviation comes within the alarm limits again, at the latest after $10 * T_n$.
						6	effective set-point W_{eff} . For example the ramp-function changes the effective set-point until it matches the internal (target) set-point.
						7	correcting variable y (controller output)
						8	control variable deviation x_w (actual value - internal set-point) = deviation alarm to internal set-point Note: Monitoring with the internal set-point W_{int} . For example using a ramp it is the target setpoint, not the changing set-point of the ramp.
						11	Control deviation X_w (= relative alarm) with suppression during start-up and setpoint change. Limit value monitoring is continued as soon as the control deviation comes within the alarm limits again.

• PArA

Name	r/w	Adr.	Integer	real	Typ	Value/off	Description	
L.2	r/w	base	2200	37168	Float	-1999...9999	<input checked="" type="checkbox"/>	Lower limit value. The alarm is triggered if the value falls below the limit, and is reset with lower limit value plus hysteresis.
		1dP	10392					
		2dP	18584					
		3dP	26776					
H.2	r/w	base	2201	37170	Float	-1999...9999	<input checked="" type="checkbox"/>	Upper limit value. The alarm is triggered if the value rises above the limit, and is reset with upper lower limit value plus hysteresis.
		1dP	10393					
		2dP	18585					
		3dP	26777					
HYS.2	r/w	base	2202	37172	Float	0...9999	<input type="checkbox"/>	Hysteresis of the limit value. Switching difference for upper and lower limit value. The limit value must change by this amount (rise above upper limit or fall below lower limit) before the limit value alarm is reset.
		1dP	10394					
		2dP	18586					
		3dP	26778					

5 Lim2

• PArA

Name	r/w	Adr.	Integer	real	Typ	Value/off	Description
dEL.2	r/w	base	2203	37174	Float	0...9999	<input type="checkbox"/> Delayed alarm of a limit value. The alarm is only triggered after the defined delay time. It is only indicated, and possibly stored, if it is still present after the delay time has elapsed.
		1dP	10395				
		2dP	18587				
		3dP	26779				

• Signal

Name	r/w	Adr.	Integer	real	Typ	Value/off	Description
St.Lim	r	base	2270	37308	Enum	Enum_LimStatus	Limit value status: No alarm present or stored.
		1dP	10462				
		2dP	18654				
		3dP	26846				

0	no alarm
1	latched alarm
2	A limit value has been exceeded.

6 Lim3

• ConF

Name	r/w	Adr.	Integer	real	Typ	Value/off	Description
Fnc.3	r/w	base	2350	37468	Enum	Enum_Fcn	Activation and adjustment of the limit value alarm (e.g. for input circuit monitoring), e.g. with/without storage.
		1dP	10542				
		2dP	18734				
		3dP	26926				

0	No limit value monitoring.
1	measured value monitoring. The alarm signal is generated, if the limit is exceeded. If the measured value is within the limits (including hysteresis) again, this alarm signal is resetted.
2	Measured value monitoring + alarm status latch. An alarm signal is generated, if the limit is exceeded. A latched alarm signal remains latched until it is manually resetted.

6 Lim3

• ConF

Name	r/w	Adr.	Integer	real	Typ	Value/off	Description
Src.3	r/w	base	2351	37470	Enum	Enum_Src	Source for limit value. Selection of which value is to be monitored.
		1dP	10543				
		2dP	18735				
		3dP	26927				
						0	Process value = absolute alarm
						1	control deviation xw (process value - set-point) = relative alarm Note: Monitoring with the effective set-point Weff. For example using a ramp it is the changing set-point, not the target set-point of the ramp.
						2	Control deviation Xw (= relative alarm) with suppression during start-up and setpoint changes. Limit value monitoring is continued as soon as the control deviation comes within the alarm limits again, at the latest after 10 * Tn.
						6	effective set-point Weff. For example the ramp-function changes the effective set-point until it matches the internal (target) set-point.
						7	correcting variable y (controller output)
						8	control variable deviation xw (actual value - internal set-point) = deviation alarm to internal set-point Note: Monitoring with the internal set-point Wint. For example using a ramp it is the target setpoint, not the changing set-point of the ramp.
						11	Control deviation Xw (= relative alarm) with suppression during start-up and setpoint change. Limit value monitoring is continued as soon as the control deviation comes within the alarm limits again.

• PArA

Name	r/w	Adr.	Integer	real	Typ	Value/off	Description
L.3	r/w	base	2300	37368	Float	-1999...9999 <input checked="" type="checkbox"/>	Lower limit value. The alarm is triggered if the value falls below the limit, and is reset with lower limit value plus hysteresis.
		1dP	10492				
		2dP	18684				
		3dP	26876				
H.3	r/w	base	2301	37370	Float	-1999...9999 <input checked="" type="checkbox"/>	Upper limit value. The alarm is triggered if the value rises above the limit, and is reset with upper lower limit value plus hysteresis.
		1dP	10493				
		2dP	18685				
		3dP	26877				
HYS.3	r/w	base	2302	37372	Float	0...9999 <input type="checkbox"/>	Hysteresis of the limit value. Switching difference for upper and lower limit value. The limit value must change by this amount (rise above upper limit or fall below lower limit) before the limit value alarm is reset.
		1dP	10494				
		2dP	18686				
		3dP	26878				
dEL.3	r/w	base	2303	37374	Float	0...9999 <input type="checkbox"/>	Delayed alarm of a limit value. The alarm is only triggered after the defined delay time. It is only indicated, and possibly stored, if it is still present after the delay time has elapsed.
		1dP	10495				
		2dP	18687				
		3dP	26879				

6 Lim3

• Signal

Name	r/w	Adr.	Integer	real	Typ	Value/off	Description
St.Lim	r	base	2370	37508	Enum	Enum_LimStatus	Limit value status: No alarm present or stored.
		1dP	10562				
		2dP	18754				
		3dP	26946				
						0	no alarm
						1	latched alarm
						2	A limit value has been exceeded.

7 LOGI

• ConF

Name	r/w	Adr.	Integer	real	Typ	Value/off	Description
L_r	r/w	base	1051	34870	Enum	Enum_dInP1	Local / remote switchover (Remote: Adjustment of all values via the front panel is blocked).
		1dP	9243				
		2dP	17435				
		3dP	25627				
						0	no function (switch-over via interface is possible)
						1	always active
						2	Digital Input DI1 switches
						3	DI2 switches (only visible with OPTION)
						4	DI3 switches (only visible with OPTION)
						5	F-key switches.
SP.2	r/w	base	1052	34872	Enum	Enum_dInP4	Source of the control signal for activating the second (safety) setpoint (SP.2=) W2. Note: W2 is not restricted by the setpoint limits.
		1dP	9244				
		2dP	17436				
		3dP	25628				
						0	no function (switch-over via interface is possible)
						2	Digital Input DI1 switches
						3	DI2 switches (only visible with OPTION)
						4	DI3 switches (only visible with OPTION)
						5	F-key switches.
SP.E	r/w	base	1053	34874	Enum	Enum_dInP1	Switching between internal set-point an external setpoint SP.E. The external SP.E is either the absolute set-point Wext or the offset to the set-point (dependent on instrument and configuration).
		1dP	9245				
		2dP	17437				
		3dP	25629				
						0	no function (switch-over via interface is possible)
						1	always active
						2	Digital Input DI1 switches
						3	DI2 switches (only visible with OPTION)
						4	DI3 switches (only visible with OPTION)
						5	F-key switches.

7 LOGI

• ConF

Name	r/w	Adr.	Integer	real	Typ	Value/off	Description
Y2	r/w	base	1054	34876	Enum	Enum_dInP3	Source of the control signal for activating the second positioning output Y2. Activated Y2 = positioner control. Caution: The parameter 'positioning output Y2' must not be confused with the controller output Y2!
		1dP	9246				
		2dP	17438				
		3dP	25630				
		0	no function (switch-over via interface is possible)				
		2	Digital Input DI1 switches				
		3	DI2 switches (only visible with OPTION)				
4	DI3 switches (only visible with OPTION)						
5	F-key switches.						
6	Auto/manual key switches (A/M key)						
Y.E	r/w	base	1055	34878	Enum	Enum_dInP2	Signal for activating the external output value. The internal output value Ypid is the controllers reaction on the process, with external output value Y.E the controller output is controlled.
		1dP	9247				
		2dP	17439				
		3dP	25631				
		0	no function (switch-over via interface is possible)				
		1	always activated (manual station)				
		2	Digital Input DI1 switches				
3	DI2 switches (only visible with OPTION)						
4	DI3 switches (only visible with OPTION)						
5	F-key switches.						
6	Auto/manual key switches (A/M key)						
mAn	r/w	base	1056	34880	Enum	Enum_dInP2	Source of the control signal for auto/manual switchover. In the automatic mode, the controller is in charge. In the manual mode, the outputs can be varied independently of the process.
		1dP	9248				
		2dP	17440				
		3dP	25632				
		0	no function (switch-over via interface is possible)				
		1	always activated (manual station)				
		2	Digital Input DI1 switches				
3	DI2 switches (only visible with OPTION)						
4	DI3 switches (only visible with OPTION)						
5	F-key switches.						
6	Auto/manual key switches (A/M key)						
C.off	r/w	base	1057	34882	Enum	Enum_dInP3	Source of the control signal for disabling all the controller outputs. Note: Forcing has priority, and remains active; alarm processing also remains active.
		1dP	9249				
		2dP	17441				
		3dP	25633				
		0	no function (switch-over via interface is possible)				
		2	Digital Input DI1 switches				
		3	DI2 switches (only visible with OPTION)				
4	DI3 switches (only visible with OPTION)						
5	F-key switches.						
6	Auto/manual key switches (A/M key)						

7 LOGI

• ConF

Name	r/w	Adr.	Integer	real	Typ	Value/off	Description
m.Loc	r/w	base	1058	34884	Enum	Enum_dlnp4	Source of the control signal to disable the auto/manual key. If the A/M key is disabled, switchover to manual operation is not possible.
		1dP	9250				
		2dP	17442				
		3dP	25634				
						0	no function (switch-over via interface is possible)
						2	Digital Input DI1 switches
						3	DI2 switches (only visible with OPTION)
						4	DI3 switches (only visible with OPTION)
						5	F-key switches.
Err.r	r/w	base	1059	34886	Enum	Enum_dlnp3	Source of the control signal for resetting all stored entries in the error list (the list contains all error messages and alarms). If an alarm is still present, i.e. the source of trouble has not been remedied, stored alarms cannot be acknowledged (reset).
		1dP	9251				
		2dP	17443				
		3dP	25635				
						0	no function (switch-over via interface is possible)
						2	Digital Input DI1 switches
						3	DI2 switches (only visible with OPTION)
						4	DI3 switches (only visible with OPTION)
						5	F-key switches.
						6	Auto/manual key switches (A/M key)
booS	r/w	base	1060	34888	Enum	Enum_dlnp1	Source of the control signal for activating the boost function: The setpoint is increased by the value SP.bo for the duration t.bo. The boost function causes a brief setpoint increase, which is used to clear blocked channels from 'frozen' material in a hot runner system.
		1dP	9252				
		2dP	17444				
		3dP	25636				
						0	no function (switch-over via interface is possible)
						1	always active
						2	Digital Input DI1 switches
						3	DI2 switches (only visible with OPTION)
						4	DI3 switches (only visible with OPTION)
						5	F-key switches.
Pid.2	r/w	base	1061	34890	Enum	Enum_dlnp4	Source of the control signal for switchover between the two parameter sets. The second parameter set is complete, and comprises Pb (= proportional band), ti (= integral action time), and td (= derivative action time) for heating and for cooling. All other control parameters, e.g. the switching duty cycles, are valid for both parameter sets.
		1dP	9253				
		2dP	17445				
		3dP	25637				
						0	no function (switch-over via interface is possible)
						2	Digital Input DI1 switches
						3	DI2 switches (only visible with OPTION)
						4	DI3 switches (only visible with OPTION)
						5	F-key switches.

7 LOGI

• ConF

Name	r/w	Adr.	Integer	real	Typ	Value/off	Description
P.run	r/w	base	1062	34892	Enum	Enum_dInP6	Source of the control signal for switching the programmer between Run and Stop. On units with a simple programmer (only 1 program), a stop immediately causes a reset, followed by a new start. With units that have been defined as program controllers (several programs), the program is stopped, and then continued.
		1dP	9254				
		2dP	17446				
		3dP	25638				
						0	no function
						2	Digital Input DI1 switches
						3	DI2 switches (only visible with OPTION)
						4	DI3 switches (only visible with OPTION)
						5	F-key switches.

Name	r/w	base	Integer	real	Typ	Value/off	Description
di.Fn	r/w	base	1050	34868	Enum	Enum_diFn	Function of digital inputs (valid for all inputs)
		1dP	9242				
		2dP	17434				
		3dP	25626				
						0	Basic setting 'Off': A permanent positive signal switches this function 'On', which is connected to the digital input. Removal of the signal switches the function 'Off' again.
						1	Basic setting 'On': A permanent positive signal switches this function 'Off', which is connected to the digital input. Removal of the signal switches the function 'On' again.
						2	Push-button function. Basic setting 'Off'. Only positive signals are effective. The first positive signal switches 'On'. Removal of the signal is necessary before the next positive signal can switch 'Off'.

• Signal

Name	r/w	Adr.	Integer	real	Typ	Value/off	Description
St.Di	r	base	1070	34908	Int	0...7	<input checked="" type="checkbox"/> Status of the digital inputs or of push-buttons (binary coded).
		1dP	9262				
		2dP	17454				
		3dP	25646				
							Bit 0 Input 1
							Bit 1 Input 2
							Bit 2 Input 3
							Bit 8 Status of 'F' key
							Bit 9 Status of 'A/M' key
							Bit 10 Status of 'Sel' key
							Bit 11 Status of 'Down' key
							Bit 12 Status of 'Up' key
							Bit 13 Status of 'Loc' key
L-R	r/w	base	1080	34928	Int	0...1	<input type="checkbox"/> Remote operation. Remote means that all values can only be adjusted via the interface. Adjustments via the front panel are blocked.
		1dP	9272				
		2dP	17464				
		3dP	25656				
W_W2	r/w	base	1081	34930	Int	0...1	<input type="checkbox"/> Signal for activating the second (safety) setpoint (SP.2=) W2. Note: Setpoint W2 is not restricted by the setpoint limits!
		1dP	9273				
		2dP	17465				
		3dP	25657				

7 LOGI

• Signal

Name	r/w	Adr.	Integer	real	Typ	Value/off	Description
Wi_We	r/w	base 1dP 2dP 3dP	1082 9274 17466 25658	34932	Int	0...1	<input type="checkbox"/> Signal for activating the external setpoint value. SP.E is the external setpoint, or dependent on the device and configuration of the setpoint shift.
Y_Y2	r/w	base 1dP 2dP 3dP	1083 9275 17467 25659	34934	Int	0...1	<input type="checkbox"/> Signal for activating the 2nd output value Y2. With selected Y2, the output is operated as a positioner. Caution: Do not confuse the parameter 'fixed output Y2' with the controller output Y2!
Y_Y.E	r/w	base 1dP 2dP 3dP	1084 9276 17468 25660	34936	Int	0...1	<input type="checkbox"/> Signal for activating the external positioning value. The controller is operated as positioner.
A-M	r/w	base 1dP 2dP 3dP	1085 9277 17469 25661	34938	Int	0...1	<input type="checkbox"/> Signal for activating manual operation. In the manual mode, the controller provides output signals independent of the process.
C.Off	r/w	base 1dP 2dP 3dP	1086 9278 17470 25662	34940	Int	0...1	<input type="checkbox"/> Signal for disabling all the controller outputs. Note: Forcing has priority; alarm processing remains active.
L.AM	r/w	base 1dP 2dP 3dP	1087 9279 17471 25663	34942	Int	0...1	<input type="checkbox"/> Signal for disabling manual operation. Triggers a forced switchover to automatic mode, and disables the front panel A/M key (also if other functions have been assigned to the key).
Err.r	r/w	base 1dP 2dP 3dP	1088 9280 17472 25664	34944	Int	0...1	<input type="checkbox"/> Signal for resetting the entire error list. The error list contains all errors that are reported, e.g. device faults and limit values. It also contains queued as well as stored errors after their correction. The reset acknowledges all errors, whereby queued errors will reappear after the next error detection (measurement).
SSR.Res	r/w	base 1dP 2dP 3dP	1089 9281 17473 25665	34946	Int	0...1	<input type="checkbox"/> Reset of the alarm triggered by a solid-state relay (SSR). SSRs are mostly used for frequent switching of heating elements, because they have no mechanical contacts that can wear out. However, an unnoticed short circuit could lead to overheating of the machine.
Boost	r/w	base 1dP 2dP 3dP	1090 9282 17474 25666	34948	Int	0...1	<input type="checkbox"/> Signal for activating the boost function. The boost function causes a brief setpoint increase, which is used e.g. to clear blocked channels ('frozen' material) in a hot-runner system.
Set1.2	r/w	base 1dP 2dP 3dP	1091 9283 17475 25667	34950	Int	0...1	<input type="checkbox"/> Switch-over of parameter set. The 2nd parameter set contains one complete set each of Pb (= proportional band), ti (= integral action time), and td (= derivative action time) for heating and for cooling. All other control parameters, such as switching duty cycles, are valid for both parameter sets.
Prg.R.S	r/w	base 1dP 2dP 3dP	1092 9284 17476 25668	34952	Int	0...1	<input type="checkbox"/> Signal for starting the programmer. On units with a simple programmer (only 1 program), a stop immediately causes a reset, followed by a new start. With units that have been defined as program controllers (several programs), the program is stopped, and then continued.

7 LOGI

• Signal

Name	r/w	Adr.	Integer	real	Typ	Value/off	Description
F.Di	r/w	base	1094	34956	Int	0...7	<input type="checkbox"/> Forcing of digital inputs. Forcing involves the external operation of at least one input. The instrument takes over this input value (preset value for inputs from a superordinate system, e.g. for a function test.)
		1dP	9286				
		2dP	17478				
		3dP	25670				

Bit 0 Forcing of digital input 1
 Bit 1 Forcing of digital input 2
 Bit 2 Forcing of digital input 3
 Bit 3 Forcing of digital input 4
 Bit 4 Forcing of digital input 5

8 ohnE

• PArA

Name	r/w	Adr.	Integer	real	Typ	Value/off	Description
Conf	r/w	base	1	32770	Int	0...2	<input type="checkbox"/> Start/Stop and abortion of the configuration mode 0 = End of configuration 1 = Start of configuration 2 = Abort configuration
		1dP	8193				
		2dP	16385				
		3dP	24577				

• Signal

Name	r/w	Adr.	Integer	real	Typ	Value/off	Description
UPD	r/w	base	95	32958	Enum	Enum_Aenderungsfalg	Status message indicating that parameter / configuration have been changed via the front panel.
		1dP	8287				
		2dP	16479				
		3dP	24671				

0 No change via the front panel keys.
 1 A change has been made via the front panel keys, which must be processed.

Hw.Opt	r	base	200	33168	Int	0...65535	<input checked="" type="checkbox"/>	
		1dP	8392					
		2dP	16584					
		3dP	24776					
Sw.Op	r	base	201	33170	Int	0...255	<input type="checkbox"/>	Software version XY Major and Minor Release (e.g. 21 = Version 2.1). The software version specifies the firmware in the unit. For the correct interaction of E-Tool and device, it must match the operating version (OpVersion) in the E-Tool.
		1dP	8393					
		2dP	16585					
		3dP	24777					
Bed.V	r	base	202	33172	Int	0...255	<input type="checkbox"/>	Operating version (numeric value). For the correct interaction of E-Tool and device, the software version and operating version must match.
		1dP	8394					
		2dP	16586					
		3dP	24778					
Unit	r	base	203	33174	Int	0...255	<input type="checkbox"/>	Identification of the device.
		1dP	8395					
		2dP	16587					
		3dP	24779					

8 ohnE

• Signal

Name	r/w	Adr. Integer	real	Typ	Value/off	Description	
S.Vers	r	base 1dP 2dP 3dP	204 8396 16588 24780	33176	Int	100...255 <input type="checkbox"/>	The sub-version number is given as an additional index for precise definition of software version.
Uident	r	base 1dP 2dP 3dP	910 9102 17294 25486	34588	Text	... <input type="checkbox"/>	Device identification. Via this Modbus address, up to 14 data units (28 bytes) can be defined. Bytes 1 - 15 order number of the device Bytes 16 - 19 Ident number 1 Bytes 20 + 21 Ident number 2 Bytes 22 - 25 OEM number Bytes 26 - 28 Software order number
St.Ala	r	base 1dP 2dP 3dP	250 8442 16634 24826	33268	Int	0...31 <input type="checkbox"/>	Alarm status: Bit-wise coded status of the individual alarms, e.g. exceeded limit value or Loop.
Bit 0 Existing/stored exceeded limit 1 Bit 1 Existing/stored exceeded limit 2 Bit 2 Existing/stored exceeded limit 3 Bit 3 Not used Bit 4 Existing/stored loop alarm Bit 5 Existing/stored heating current alarm Bit 6 Existing/stored SSR alarm Bit 7 Not used Bit 8 Existing exceeded limit 1 Bit 9 Existing exceeded limit 2 Bit 10 Existing exceeded limit 3 Bit 11 Not used Bit 12 Existing loop alarm Bit 13 Existing heating current alarm Bit 14 Existing SSR alarm Bit 15 Not used							
St.Do	r	base 1dP 2dP 3dP	251 8443 16635 24827	33270	Int	0...31 <input type="checkbox"/>	Status of the digital outputs Bit 0 digital output 1 Bit 1 digital output 2 Bit 2 digital output 3 Bit 3 digital output 4 Bit 4 digital output 5 Bit 5 digital output 6

8 ohnE

• Signal

Name	r/w	Adr.	Integer	real	Typ	Value/off	Description	
St.Ain	r	base	252	33272	Int	0...7	<input type="checkbox"/>	Bit-coded status of the analog input (fault, e.g. short circuit)
		1dP	8444					
		2dP	16636					
		3dP	24828					
Bit 0 Break at Input 1 Bit 1 Reversed polarity at Input 1 Bit 2 Short circuit at Input 1 Bit 3 Not used Bit 4 Break at Input 2 Bit 5 Reversed polarity at Input 2 Bit 6 Short-circuit at Input 2 Bit 7 Not used Bit 8 Break at Input 3 (only KS 90) Bit 9 Reversed polarity at Input 3 (only KS 90) Bit 10 Short-circuit at Input 3 (only KS 90) Bit 11 Not used								
St.Di	r	base	253	33274	Int	0...7	<input type="checkbox"/>	Status of the digital inputs or of push-buttons (binary coded).
		1dP	8445					
		2dP	16637					
		3dP	24829					
Bit 0 Input 1 Bit 1 Input 2 Bit 2 Input 3 Bit 8 Status of 'F' key Bit 9 Status of 'A/M' key Bit 10 Status of 'Sel' key Bit 11 Status of 'Down' key Bit 12 Status of 'Up' key Bit 13 Status of 'Loc' key								
F.Di	r/w	base	303	33374	Int	0...1	<input type="checkbox"/>	Forcing of digital inputs. Forcing involves the external operation of at least one input. The instrument takes over this input value (preset value for inputs from a superordinate system, e.g. for a function test.)
		1dP	8495					
		2dP	16687					
		3dP	24879					
Bit 0 Forcing of digital input 1 Bit 1 Forcing of digital input 2 Bit 2 Forcing of digital input 3 Bit 3 Forcing of digital input 4 Bit 4 Forcing of digital input 5								
F.Do	r/w	base	304	33376	Int	0...15	<input type="checkbox"/>	Forcing of digital outputs. Forcing involves the external operation of at least one output. The instrument has no influence on this output (use of free outputs by superordinate system).
		1dP	8496					
		2dP	16688					
		3dP	24880					

9 ohnE1

• Signal

Name	r/w	Adr.	Integer	real	Typ	Value/off		Description
In.1	r	base	232	33232	Float	-1999...9999	<input type="checkbox"/>	Measurement value after the measurement value correction (e.g. with offset or 2-point correction, and scaling).
		1dP	8424					
		2dP	16616					
		3dP	24808					
In.1r	r	base	240	33248	Float	-1999...9999	<input type="checkbox"/>	Measurement value before the measurement value correction (unprocessed).
		1dP	8432					
		2dP	16624					
		3dP	24816					
F.Inp	r/w	base	300	33368	Float	-1999...9999	<input type="checkbox"/>	Forcing the value for an analog input INP. Forcing involves the external operation of an input. The instrument takes over the value at this input like a measurement value (preset value for inputs from a superordinate system, e.g. for a function test.)
		1dP	8492					
		2dP	16684					
		3dP	24876					

10 ohnE2

• Signal

Name	r/w	Adr.	Integer	real	Typ	Value/off		Description
In.2	r	base	233	33234	Float	-1999...9999	<input type="checkbox"/>	Measurement value after the measurement value correction (e.g. with offset or 2-point correction, and scaling).
		1dP	8425					
		2dP	16617					
		3dP	24809					
In.2r	r	base	241	33250	Float	-1999...9999	<input type="checkbox"/>	Measurement value before the measurement value correction (unprocessed).
		1dP	8433					
		2dP	16625					
		3dP	24817					
F.Inp	r/w	base	301	33370	Float	-1999...9999	<input type="checkbox"/>	Forcing the value for an analog input INP. Forcing involves the external operation of an input. The instrument takes over the value at this input like a measurement value (preset value for inputs from a superordinate system, e.g. for a function test.)
		1dP	8493					
		2dP	16685					
		3dP	24877					

11 ohnE3

• Signal

Name	r/w	Adr.	Integer	real	Typ	Value/off		Description
F.Out1	r/w	base	305	33378	Float	0...120	<input type="checkbox"/>	Forcing value of the analog output. Forcing involves the external operation of an output, i.e. the instrument has no influence on this output. (Used for the operation of free outputs e.g. by a supervisory PLC.)
		1dP	8497					
		2dP	16689					
		3dP	24881					

12 othr

• ConF

Name	r/w	Adr.	Integer	real	Typ	Value/off	Description
D2.Err	r/w	base	193	33154	Enum	Enum_Dis2E	Queued faults can be displayed directly in the 2nd line of the display. In case of a fault, the display then alternates between the value of the lower display line (standard = setpoint) and the error message for the fault with the highest priority (blinking display).
		1dP	8385				
		2dP	16577				
		3dP	24769				
						0	Display line 2 is not switched over in case of a fault. The fault is signalled via the LED, and the error message is shown in the error list.
						1	In case of a fault, display line 2 alternates between the error message and the value of the lower display line- The fault with the highest priority is displayed as long as it is present. Latched (stored) faults must be acknowledged in order to remove them from the display.
F.Coff	r/w	base	192	33152	Enum	Enum_Coff	The standard disabling procedure only switches off the controller outputs, whereby the alarms, displays, and other functions remain active. Alternatively, all functions can be switched off (including alarms and displays).
		1dP	8384				
		2dP	16576				
		3dP	24768				
						0	Only the PID controller functions are disabled. The analog controller outputs have the value 0.0, and the switching outputs generate the logical state FALSE. All other functions, e.g. alarms and displays, continue operating in the normal manner.
						1	All the controller functions are disabled. The analog outputs have the value 0.0, and the switching outputs generate the logical state FALSE. If configured, an inversion is carried out.
bAud	r/w	base	180	33128	Enum	Enum_Baud	Bit rate of the interface (only visible with OPTION). The bit rate determines the transmission speed.
		1dP	8372				
		2dP	16564				
		3dP	24756				
						0	2400 Baud
						1	4800 Baud
						2	9600 Baud
						3	19200 Baud
Addr	r/w	base	181	33130	Int	1...247	<input type="checkbox"/> Address on the interface (only visible with OPTION)
		1dP	8373				
		2dP	16565				
		3dP	24757				
PrtY	r/w	base	182	33132	Enum	Enum_Parity	Parity of data on the interface (only visible with OPTION). Simple possibility of checking that transferred data is correct.
		1dP	8374				
		2dP	16566				
		3dP	24758				
						0	No parity, with 2 stop bits.
						1	even parity
						2	odd parity
						3	no parity (1 stop bit)
dELY	r/w	base	183	33134	Int	0...200	<input type="checkbox"/> Response delay [ms] (only visible with OPTION). Additional delay time before the received message may be answered on the Modbus. (Might be necessary, if the same line is used for transmit/receive.)
		1dP	8375				
		2dP	16567				
		3dP	24759				

12 othr

• ConF

Name	r/w	Adr.	Integer	real	Typ	Value/off	Description	
Unit	r/w	base	170	33108	Enum	Enum_Unit	Physical unit (temperature), f.e. °C	
		1dP	8362					
		2dP	16554					
		3dP	24746					
						0	without unit	
							1	°C
							2	°F
dP	r/w	base	171	33110	Enum	Enum_dP	Decimal point (max. no of decimals). Format of the measured value display.	
		1dP	8363					
		2dP	16555					
		3dP	24747					
						0	no digit behind the decimal point	
							1	Display has one decimal.
							2	Display has two decimals.
							3	Display has three decimals.
LEd	r/w	base	190	33148	Enum	Enum_Led	Meaning of the signalling LEDs. Selection of a combination of the displayable signals.	
		1dP	8382					
		2dP	16574					
		3dP	24766					
						0	The digital outputs OUT1, OUT2, and OUT3 are displayed.	
							1	Display of controller output y1 (heating / open), alarm2, and alarm3.
							2	Display of controller output y1 (heating / open), controller output y2 (cooling / close), alarm3
							3	Display of controller output y2 (cooling / close), controller output y1 (heating / open), alarm3
C.dEL	r/w	base	184	33136	Int	0...200	<input type="checkbox"/> For both interfaces, Modbus only. Additional acceptable delay time between 2 received bytes, before "end of message" is assumed. This time is needed if data is not transmitted continuously by the modem.	
		1dP	8376					
		2dP	16568					
		3dP	24760					
FrEq	r/w	base	150	33068	Enum	Enum_FrEq	Switchover of the applied mains frequency 50 / 60 Hz, thereby better adaptation of the input filter for hum suppression.	
		1dP	8342					
		2dP	16534					
		3dP	24726					
						0	Mains frequency is 50 Hz.	
							1	Mains frequency is 60 Hz.
MASt	r/w	base	185	33138	Enum	Enum_MASt	Device works as Modbus master. The communication is executed according to the master/slave principle, whereby the device can be operated as master or as slave. Operation as master must be configured here.	
		1dP	8377					
		2dP	16569					
		3dP	24761					
						0	No, the unit is operated as a Modbus slave.	
							1	Yes, the unit is operated as a Modbus master.
Cycl	r/w	base	186	33140	Int	0...200	<input type="checkbox"/> Cycle time (in seconds) during which the Modbus master transmits its message on the bus.	
		1dP	8378					
		2dP	16570					
		3dP	24762					

12 othr

• ConF

Name	r/w	Adr.	Integer	real	Typ	Value/off	Description
AdrO	r/w	base	187	33142	Int	1...65535	<input type="checkbox"/> Target address to which the data specified with AdrU are output on the bus.
		1dP	8379				
		2dP	16571				
		3dP	24763				
AdrU	r/w	base	188	33144	Int	1...65535	<input type="checkbox"/> Modbus address of the data output on the bus by the Modbus master.
		1dP	8380				
		2dP	16572				
		3dP	24764				
Numb	r/w	base	189	33146	Int	0...100	<input type="checkbox"/> Quantity of data that are to be transmitted from the Modbus master.
		1dP	8381				
		2dP	16573				
		3dP	24765				

• Signal

Name	r/w	Adr.	Integer	real	Typ	Value/off	Description
E.1	r/w	base	210	33188	Enum	Defect	Err 1 (internal error) Contact Service.
		1dP	8402				
		2dP	16594				
		3dP	24786				
						0	No fault exists (Reset).
						2	The device is defective.
E.2	r/w	base	211	33190	Enum	Problem	Err 2 (internal error, resettable) (As a process value via fieldbus interface not writable!)
		1dP	8403				
		2dP	16595				
		3dP	24787				
						0	No fault, resetting possible (Reset).
						1	A fault has occurred and has been stored.
FbF.1	r/w	base	212	33192	Enum	Break	Sensor break at input INP1. Typical causes and suggested remedies: Sensor fault: replace INP1 sensor. Wiring fault: check connections of INP1. (As a process value via fieldbus interface not writable!)
		1dP	8404				
		2dP	16596				
		3dP	24788				
						0	No fault, resetting of the sensor break alarm possible (Reset).
						1	The sensor fault alarm has been triggered and stored; the fault is no longer present. The operator must acknowledge the error message in order to delete it from the error list.
						2	Sensor break: The sensor is defective or there is a wiring fault.
Sht.1	r/w	base	213	33194	Enum	Short	Short circuit at input INP1. Typical causes and suggested remedies: Sensor fault: replace INP1 sensor. Wiring fault: check connections of INP1. (As a process value via fieldbus interface not writable!)
		1dP	8405				
		2dP	16597				
		3dP	24789				
						0	No fault, resetting of the short-circuit alarm possible (Reset).
						1	A short-circuit fault has occurred and has been stored.
						2	A short-circuit fault has occurred.

12 othr

• Signal

Name	r/w	Adr.	Integer	real	Typ	Value/off	Description
POL.1	r/w	base	214	33196	Enum	Polarity	Incorrect polarity at input INP1. Suggested remedy: reverse the polarity at INP1. (As a process value via fieldbus interface not writable!)
		1dP	8406				
		2dP	16598				
		3dP	24790				
0	No fault, resetting of the incorrect polarity alarm possible (Reset).						
1	An incorrect polarity fault has occurred and has been stored.						
2	Incorrect polarity. The wiring of the input circuit is not correct.						
FbF.2	r/w	base	215	33198	Enum	Break	Sensor break at input INP2. Typical causes and suggested remedies: Sensor fault: replace INP2 sensor. Wiring fault: check connections of INP2. (As a process value via fieldbus interface not writable!)
		1dP	8407				
		2dP	16599				
		3dP	24791				
0	No fault, resetting of the sensor break alarm possible (Reset).						
1	The sensor fault alarm has been triggered and stored; the fault is no longer present. The operator must acknowledge the error message in order to delete it from the error list.						
2	Sensor break: The sensor is defective or there is a wiring fault.						
Sht.2	r/w	base	216	33200	Enum	Short	Short circuit at input INP2. Typical causes and suggested remedies: Sensor fault: replace INP2 sensor. Wiring fault: check connections of INP2. (As a process value via fieldbus interface not writable!)
		1dP	8408				
		2dP	16600				
		3dP	24792				
0	No fault, resetting of the short-circuit alarm possible (Reset).						
1	A short-circuit fault has occurred and has been stored.						
2	A short-circuit fault has occurred.						
POL.2	r/w	base	217	33202	Enum	Polarity	Incorrect polarity at input INP2. Suggested remedy: reverse the polarity at INP2. (As a process value via fieldbus interface not writable!)
		1dP	8409				
		2dP	16601				
		3dP	24793				
0	No fault, resetting of the incorrect polarity alarm possible (Reset).						
1	An incorrect polarity fault has occurred and has been stored.						
2	Incorrect polarity. The wiring of the input circuit is not correct.						
HCA	r/w	base	218	33204	Enum	HeatCurr	Heating current alarm.Possible faults are an open heating current circuit with current $I <$ heating current limit, or current $I >$ heating current limit (depending on configuration), or defective heater band.Suggested remedy: check heating current circuit, replace heater band if necessary. (As a process value via fieldbus interface not writable!)
		1dP	8410				
		2dP	16602				
		3dP	24794				
0	No fault, resetting of the heating current alarm possible (Reset).						
1	A heating current fault has occurred and has been stored.						
SSr	r/w	base	219	33206	Enum	Short	Alarm message: SSr Possible causes: a current flow in the heating circuit although controller is 'off', or the SSR is defective. Suggested remedy: check heating current circuit, replace the solid-state relay, if necessary. (As a process value via fieldbus interface not writable!)
		1dP	8411				
		2dP	16603				
		3dP	24795				
0	No fault, resetting of the short-circuit alarm possible (Reset).						
1	A short-circuit fault has occurred and has been stored.						
2	A short-circuit fault has occurred.						

12 othr

• Signal

Name	r/w	Adr. Integer	real	Typ	Value/off	Description	
LooP	r/w	base	220	33208	Enum	LoopAlarm	Alarm message: LooP Possible causes: faulty or incorrectly connected input circuit, or output not connected correctly. Suggested remedy: check heating or cooling circuit, check sensor function and replace if necessary, check controller and output switching actuator. (As a process value via fieldbus interface not writable!)
		1dP	8412				
		2dP	16604				
		3dP	24796				
						0	No fault, resetting of the loop alarm possible (Reset).
						1	A control loop fault has occurred and has been stored.
						2	A control loop fault has occurred, there was no clear process response following a step change of the output.
AdA.H	r/w	base	221	33210	Enum	Tune	Error message from "heating" self-tuning and reason for aborted tuning attempt. Hints for trouble-shooting: Check operating sense of actuator. Is the loop closed? Is there an output limit? Adapt the setpoint. Increase step output for Yopt. (As a process value via fieldbus interface not writable!)
		1dP	8413				
		2dP	16605				
		3dP	24797				
						0	no error
						3	Process responds in the wrong direction. Possible remedy: Check the output signal sense (inverse <-> direct), and re-configure the controller if necessary (inverse <-> direct).
						4	No response from the process. Perhaps the control loop is open. Possible remedy: Check sensor, connections, and process.
						5	The process value turning point of the step response is too low. Possible remedy: Increase the permitted step output range, i.e. increase the parameter Y.Hi ('heating') or reduce the parameter Y.Lo ('cooling').
						6	Self-tuning was aborted due to the risk of an exceeded setpoint. Possible remedy: Repeat the attempt with an increased setpoint reserve.
						7	The step output change is not large enough (minimum change > 5 %). Possible remedy: Increase the permitted step output range, i.e. increase the parameter Y.Hi ('heating') or reduce the parameter Y.Lo ('cooling').
						8	Setpoint reserve must be given before generating the step output change. Possible remedy: decrease set-point range, change set-point, or change process value.
						9	The pulse response attempt has failed. No useful parameters were determined. Perhaps the control loop is open. Possible remedy: Check sensor, connections, and process.

12 othr

• Signal

Name	r/w	Adr.	Integer	real	Typ	Value/off	Description
AdA.C	r/w	base	222	33212	Enum	Tune	Error message from "cooling" self-tuning and reason for aborted tuning attempt. Hints for trouble-shooting: Check operating sense of actuator. Is the loop closed? Is there an output limit? Adapt the setpoint. Increase step output for Yopt. (As a process value via fieldbus interface not writable!)
		1dP	8414				
		2dP	16606				
		3dP	24798				

0	no error
3	Process responds in the wrong direction. Possible remedy: Check the output signal sense (inverse <-> direct), and re-configure the controller if necessary (inverse <-> direct).
4	No response from the process. Perhaps the control loop is open. Possible remedy: Check sensor, connections, and process.
5	The process value turning point of the step response is too low. Possible remedy: Increase the permitted step output range, i.e. increase the parameter Y.Hi ('heating') or reduce the parameter Y.Lo ('cooling').
6	Self-tuning was aborted due to the risk of an exceeded setpoint. Possible remedy: Repeat the attempt with an increased setpoint reserve.
7	The step output change is not large enough (minimum change > 5 %). Possible remedy: Increase the permitted step output range, i.e. increase the parameter Y.Hi ('heating') or reduce the parameter Y.Lo ('cooling').
8	Setpoint reserve must be given before generating the step output change. Possible remedy: decrease set-point range, change set-point, or change process value.
9	The pulse response attempt has failed. No useful parameters were determined. Perhaps the control loop is open. Possible remedy: Check sensor, connections, and process.

Name	r/w	Adr.	Integer	real	Typ	Value/off	Description
Lim.1	r/w	base	223	33214	Enum	Limit	Limit value 1 exceeded. Hint for trouble-shooting: check the process. (As a process value via fieldbus interface not writable!)
		1dP	8415				
		2dP	16607				
		3dP	24799				

0	No fault, resetting of the limit value alarm possible (Reset).
1	The limit value has been exceeded, and the fault has been stored.
2	The limit value has been exceeded; the monitored (measurement) value is outside the set limits.

Name	r/w	Adr.	Integer	real	Typ	Value/off	Description
Lim.2	r/w	base	224	33216	Enum	Limit	Limit value 2 exceeded. Hint for trouble-shooting: check the process. (As a process value via fieldbus interface not writable!)
		1dP	8416				
		2dP	16608				
		3dP	24800				

0	No fault, resetting of the limit value alarm possible (Reset).
1	The limit value has been exceeded, and the fault has been stored.
2	The limit value has been exceeded; the monitored (measurement) value is outside the set limits.

Name	r/w	Adr.	Integer	real	Typ	Value/off	Description
Lim.3	r/w	base	225	33218	Enum	Limit	Limit value 3 exceeded. Hint for trouble-shooting: check the process. (As a process value via fieldbus interface not writable!)
		1dP	8417				
		2dP	16609				
		3dP	24801				

0	No fault, resetting of the limit value alarm possible (Reset).
1	The limit value has been exceeded, and the fault has been stored.
2	The limit value has been exceeded; the monitored (measurement) value is outside the set limits.

12 othr

• Signal

Name	r/w	Adr. Integer	real	Typ	Value/off	Description	
InF.1	r/w	base	226	33220	Enum	Time	Message from the operating hours counter that the preset no. of hours for this maintenance period has been reached. The op-hours counter for the maintenance period is reset when this message is acknowledged. Counting the operating hours is used for preventive maintenance. - Acknowledge the error to reset it. (As a process value via fieldbus interface not writable!)
		1dP	8418				
		2dP	16610				
		3dP	24802				
						0	No signal, resetting of the time limit signal possible (Reset).
						1	Operating hours - limit value (maintenance period) reached: please acknowledge.

InF.2	r/w	base	227	33222	Enum	Switch	Message from the switching cycle counter that the preset no. of switch cycles for this maintenance period has been reached. The cycle counter for the maintenance period is reset when this message is acknowledged. Counting the switching cycles is used for preventive maintenance. - Acknowledge the error to reset it. (As a process value via fieldbus interface not writable!)
		1dP	8419				
		2dP	16611				
		3dP	24803				
						0	No error message, resetting of the switching cycle counter possible (Reset).
						1	Set limit of the switching cycle counter (maintenance period) has been reached: please acknowledge.

E.4	r/w	base	228	33224	Enum	Problem	Hardware fault.Cause: Code number and hardware are not identical. Remedy: Contact Service. (As a process value via fieldbus interface not writable!)
		1dP	8420				
		2dP	16612				
		3dP	24804				
						0	No fault, resetting possible (Reset).
						1	A fault has occurred and has been stored.

13 Out. 1

• ConF

Name	r/w	Adr. Integer	real	Typ	Value/off	Description	
O.Act	r/w	base	4150	41068	Enum	Enum_OAct	Operating sense of the switching output. Direct: Active function (e.g. limit value) switches the output ON; Inverse: Active function (e.g. limit value) switches the output OFF.
		1dP	12342				
		2dP	20534				
		3dP	28726				
						0	direct / normally open
						1	inverse / normally closed
Y.1	r/w	base	4151	41070	Enum	Enum_Y1	Output function: Controller output Y1
		1dP	12343				
		2dP	20535				
		3dP	28727				
						0	not active
						1	This output provides the controller output Y1.

13 Out.1

• ConF

Name	r/w	Adr.	Integer	real	Typ	Value/off	Description
Y.2	r/w	base	4152	41072	Enum	Enum_Y2	Output function: Controller output Y2. Caution: Do not confuse the controller output Y2 with the parameter 'Fixed output Y2' !
		1dP	12344				
		2dP	20536				
		3dP	28728				
0							not active
1							This output provides the controller output Y2.
Lim.1	r/w	base	4153	41074	Enum	Enum_Lim1	Output function: Signal limit 1
		1dP	12345				
		2dP	20537				
		3dP	28729				
0							not active
1							The output is activated by an alarm from limit value 1.
Lim.2	r/w	base	4154	41076	Enum	Enum_Lim2	Output function: Signal limit 2
		1dP	12346				
		2dP	20538				
		3dP	28730				
0							not active
1							The output is activated by an alarm from limit value 2.
Lim.3	r/w	base	4155	41078	Enum	Enum_Lim3	Output function: Signal limit 3
		1dP	12347				
		2dP	20539				
		3dP	28731				
0							not active
1							The output is activated by an alarm from limit value 3.
LP.AL	r/w	base	4157	41082	Enum	Enum_OUT_LPAL	Output function: Signal Interruption alarm (LOOP) The overall control loop is monitored and the process value has to change with an output signal of maximum value, else loop alarm is generated.
		1dP	12349				
		2dP	20541				
		3dP	28733				
0							not active
1							The loop alarm (= open loop alarm) is assigned to this output.
HC.AL	r/w	base	4158	41084	Enum	Enum_OUT_HCAL	Output function: Signal Heat current alarm. Either break (= current I < heating current limit) can be monitored or overload (= current I > heating current limit), dependent on configuration.
		1dP	12350				
		2dP	20542				
		3dP	28734				
0							not active
1							The heating current alarm is assigned to this output.
HC.SC	r/w	base	4159	41086	Enum	Enum_HCSC	Output function: Signal Solid-state relay (SSR) short circuit. The short circuit alarm of the SSR is triggered, if a current is detected in the heating circuit, although the controller output is switched off.
		1dP	12351				
		2dP	20543				
		3dP	28735				
0							not active
1							Output activated by an SSR fault.

13 Out. 1

• ConF

Name	r/w	Adr.	Integer	real	Typ	Value/off	Description
P.End	r/w	base	4161	41090	Enum	Enum_PEnd	Output function: Signal Program end. This message is available when the program has been completed (only when configured as a program controller).
		1dP	12353				
		2dP	20545				
		3dP	28737				
						0	not active
						1	This output is activated by the message 'Program end'.

FAi.1	r/w	base	4162	41092	Enum	Enum_FAi1	Output function: Signal INP1 fault. The fail signal is generated, if a fault occurs at the analog Input INP1.
		1dP	12354				
		2dP	20546				
		3dP	28738				
						0	not active
						1	The output sends the error message 'INP1 fault'.

FAi.2	r/w	base	4163	41094	Enum	Enum_FAi2	Output function: Signal INP2 fault. The fail signal is generated, if a fault occurs at the analog Input INP2.
		1dP	12355				
		2dP	20547				
		3dP	28739				
						0	not active
						1	The output sends the error message 'INP2 fault'.

• Signal

Name	r/w	Adr.	Integer	real	Typ	Value/off	Description
Out1	r	base	4180	41128	Enum	Enum_Ausgang	Status of the digital output
		1dP	12372				
		2dP	20564				
		3dP	28756				
						0	off
						1	on

F.Do1	r/w	base	4181	41130	Enum	Enum_Ausgang	Forcing of this digital output. Forcing involves the external operation of an output. The instrument has no influence on this output (use of free outputs by superordinate system).
		1dP	12373				
		2dP	20565				
		3dP	28757				
						0	off
						1	on

14 Out.2

• ConF

Name	r/w	Adr.	Integer	real	Typ	Value/off	Description
O.Act	r/w	base	4250	41268	Enum	Enum_OAct	Operating sense of the switching output. Direct: Active function (e.g. limit value) switches the output ON; Inverse: Active function (e.g. limit value) switches the output OFF.
		1dP	12442				
		2dP	20634				
		3dP	28826				
						0	direct / normally open
						1	inverse / normally closed
Y.1	r/w	base	4251	41270	Enum	Enum_Y1	Output function: Controller output Y1
		1dP	12443				
		2dP	20635				
		3dP	28827				
						0	not active
						1	This output provides the controller output Y1.
Y.2	r/w	base	4252	41272	Enum	Enum_Y2	Output function: Controller output Y2. Caution: Do not confuse the controller output Y2 with the parameter 'Fixed output Y2' !
		1dP	12444				
		2dP	20636				
		3dP	28828				
						0	not active
						1	This output provides the controller output Y2.
Lim.1	r/w	base	4253	41274	Enum	Enum_Lim1	Output function: Signal limit 1
		1dP	12445				
		2dP	20637				
		3dP	28829				
						0	not active
						1	The output is activated by an alarm from limit value 1.
Lim.2	r/w	base	4254	41276	Enum	Enum_Lim2	Output function: Signal limit 2
		1dP	12446				
		2dP	20638				
		3dP	28830				
						0	not active
						1	The output is activated by an alarm from limit value 2.
Lim.3	r/w	base	4255	41278	Enum	Enum_Lim3	Output function: Signal limit 3
		1dP	12447				
		2dP	20639				
		3dP	28831				
						0	not active
						1	The output is activated by an alarm from limit value 3.
LP.AL	r/w	base	4257	41282	Enum	Enum_OUT_LPAL	Output function: Signal Interruption alarm (LOOP) The overall control loop is monitored and the process value has to change with an output signal of maximum value, else loop alarm is generated.
		1dP	12449				
		2dP	20641				
		3dP	28833				
						0	not active
						1	The loop alarm (= open loop alarm) is assigned to this output.

14 Out.2

• ConF

Name	r/w	Adr.	Integer	real	Typ	Value/off	Description
HC.AL	r/w	base	4258	41284	Enum	Enum_OUT_HCAL	Output function: Signal Heat current alarm. Either break (= current I < heating current limit) can be monitored or overload (= current I > heating current limit), dependent on configuration.
		1dP	12450				
		2dP	20642				
		3dP	28834				
						0	not active
						1	The heating current alarm is assigned to this output.

HC.SC	r/w	base	4259	41286	Enum	Enum_HCSC	Output function: Signal Solid-state relay (SSR) short circuit. The short circuit alarm of the SSR is triggered, if a current is detected in the heating circuit, although the controller output is switched off.
		1dP	12451				
		2dP	20643				
		3dP	28835				
						0	not active
						1	Output activated by an SSR fault.

P.End	r/w	base	4261	41290	Enum	Enum_PEnd	Output function: Signal Program end. This message is available when the program has been completed (only when configured as a program controller).
		1dP	12453				
		2dP	20645				
		3dP	28837				
						0	not active
						1	This output is activated by the message 'Program end'.

FAi.1	r/w	base	4262	41292	Enum	Enum_FAi1	Output function: Signal INP1 fault. The fail signal is generated, if a fault occurs at the analog Input INP1.
		1dP	12454				
		2dP	20646				
		3dP	28838				
						0	not active
						1	The output sends the error message 'INP1 fault'.

FAi.2	r/w	base	4263	41294	Enum	Enum_FAi2	Output function: Signal INP2 fault. The fail signal is generated, if a fault occurs at the analog Input INP2.
		1dP	12455				
		2dP	20647				
		3dP	28839				
						0	not active
						1	The output sends the error message 'INP2 fault'.

• Signal

Name	r/w	Adr.	Integer	real	Typ	Value/off	Description
Out2	r	base	4280	41328	Enum	Enum_Ausgang	Status of the digital output
		1dP	12472				
		2dP	20664				
		3dP	28856				
						0	off
						1	on

14 Out.2

• Signal

Name	r/w	Adr.	Integer	real	Typ	Value/off	Description
F.Do2	r/w	base	4281	41330	Enum	Enum_Ausgang	Forcing of this digital output. Forcing involves the external operation of an output. The instrument has no influence on this output (use of free outputs by superordinate system).
		1dP	12473				
		2dP	20665				
		3dP	28857				
						0	off
						1	on

15 Out.3

• ConF

Name	r/w	Adr.	Integer	real	Typ	Value/off	Description
O.tYP	r/w	base	4370	41508	Enum	Enum_OtYP	Signal type selection OUT
		1dP	12562				
		2dP	20754				
		3dP	28946				
						0	Relay / logic
						1	0 ... 20 mA continuous
						2	4 ... 20 mA continuous
						3	0...10 V continuous
						4	2...10 V continuous
						5	transmitter supply
O.Act	r/w	base	4350	41468	Enum	Enum_OAct	Operating sense of the switching output. Direct: Active function (e.g. limit value) switches the output ON; Inverse: Active function (e.g. limit value) switches the output OFF.
		1dP	12542				
		2dP	20734				
		3dP	28926				
						0	direct / normally open
						1	inverse / normally closed
Y.1	r/w	base	4351	41470	Enum	Enum_Y1	Output function: Controller output Y1
		1dP	12543				
		2dP	20735				
		3dP	28927				
						0	not active
						1	This output provides the controller output Y1.
Y.2	r/w	base	4352	41472	Enum	Enum_Y2	Output function: Controller output Y2. Caution: Do not confuse the controller output Y2 with the parameter 'Fixed output Y2' !
		1dP	12544				
		2dP	20736				
		3dP	28928				
						0	not active
						1	This output provides the controller output Y2.

15 Out.3

• ConF

Name	r/w	Adr.	Integer	real	Typ	Value/off	Description
Lim.1	r/w	base	4353	41474	Enum	Enum_Lim1	Output function: Signal limit 1
		1dP	12545				
		2dP	20737				
		3dP	28929				
		0	not active				
1	The output is activated by an alarm from limit value 1.						
Lim.2	r/w	base	4354	41476	Enum	Enum_Lim2	Output function: Signal limit 2
		1dP	12546				
		2dP	20738				
		3dP	28930				
		0	not active				
1	The output is activated by an alarm from limit value 2.						
Lim.3	r/w	base	4355	41478	Enum	Enum_Lim3	Output function: Signal limit 3
		1dP	12547				
		2dP	20739				
		3dP	28931				
		0	not active				
1	The output is activated by an alarm from limit value 3.						
LP.AL	r/w	base	4357	41482	Enum	Enum_OUT_LPAL	Output function: Signal Interruption alarm (LOOP) The overall control loop is monitored and the process value has to change with an output signal of maximum value, else loop alarm is generated.
		1dP	12549				
		2dP	20741				
		3dP	28933				
		0	not active				
1	The loop alarm (= open loop alarm) is assigned to this output.						
HC.AL	r/w	base	4358	41484	Enum	Enum_OUT_HCAL	Output function: Signal Heat current alarm. Either break (= current I < heating current limit) can be monitored or overload (= current I > heating current limit), dependent on configuration.
		1dP	12550				
		2dP	20742				
		3dP	28934				
		0	not active				
1	The heating current alarm is assigned to this output.						
HC.SC	r/w	base	4359	41486	Enum	Enum_HCSC	Output function: Signal Solid-state relay (SSR) short circuit. The short circuit alarm of the SSR is triggered, if a current is detected in the heating circuit, although the controller output is switched off.
		1dP	12551				
		2dP	20743				
		3dP	28935				
		0	not active				
1	Output activated by an SSR fault.						
P.End	r/w	base	4361	41490	Enum	Enum_PEnd	Output function: Signal Program end. This message is available when the program has been completed (only when configured as a program controller).
		1dP	12553				
		2dP	20745				
		3dP	28937				
		0	not active				
1	This output is activated by the message 'Program end'.						

15 Out.3

• ConF

Name	r/w	Adr.	Integer	real	Typ	Value/off	Description
FAi.1	r/w	base	4362	41492	Enum	Enum_FAI1	Output function: Signal INP1 fault. The fail signal is generated, if a fault occurs at the analog Input INP1.
		1dP	12554				
		2dP	20746				
		3dP	28938				
						0	not active
						1	The output sends the error message 'INP1 fault'.
FAi.2	r/w	base	4363	41494	Enum	Enum_FAI2	Output function: Signal INP2 fault. The fail signal is generated, if a fault occurs at the analog Input INP2.
		1dP	12555				
		2dP	20747				
		3dP	28939				
						0	not active
						1	The output sends the error message 'INP2 fault'.
Out.0	r/w	base	4371	41510	Float	-1999...9999	<input type="checkbox"/> Lower scaling limit of the analog output (corresponds to 0%). If current and voltage signals are used as output values, the display can be scaled to the output value in the Parameter Level. The output value of the lower scaling point is indicated in the respective electrical unit (mA / V).
		1dP	12563				
		2dP	20755				
		3dP	28947				
Out.1	r/w	base	4372	41512	Float	-1999...9999	<input type="checkbox"/> Upper scaling limit of the analog output (corresponds to 100%). If current and voltage signals are used as output values, the display can be scaled to the output value in the Parameter Level. The output value of the upper scaling point is indicated in the respective electrical unit (mA / V).
		1dP	12564				
		2dP	20756				
		3dP	28948				
O.Src	r/w	base	4373	41514	Enum	Enum_OSrc	Signal source of the analog output (visible not with all output signal types O.TYP).
		1dP	12565				
		2dP	20757				
		3dP	28949				
						0	not used
						1	Controller output y1 (continuous)
						2	Controller output y2 (continuous)
						3	process value
						4	The effective setpoint Weff, which is used for control. Example: The gradient changes the effective setpoint until it reaches the internal (target) setpoint.
						5	control deviation xw (process value - set-point)= relative alarm Note: Monitoring with the effective set-point Weff. For example using a ramp it is the changing set-point, not the target set-point of the ramp.

• Signal

Name	r/w	Adr.	Integer	real	Typ	Value/off	Description
Out1	r	base	4380	41528	Enum	Enum_Ausgang	Status of the digital output
		1dP	12572				
		2dP	20764				
		3dP	28956				
						0	off
						1	on

15 Out.3

• Signal

Name	r/w	Adr.	Integer	real	Typ	Value/off	Description
F.Do1	r/w	base	4381	41530	Enum	Enum_Ausgang	Forcing of this digital output. Forcing involves the external operation of an output. The instrument has no influence on this output (use of free outputs by superordinate system).
		1dP	12573				
		2dP	20765				
		3dP	28957				
						0	off
						1	on
F.Out1	r/w	base	4382	41532	Float	0...120	<input type="checkbox"/> Forcing value of the analog output. Forcing involves the external operation of an output, i.e. the instrument has no influence on this output. (Used for the operation of free outputs e.g. by a supervisory PLC.)
		1dP	12574				
		2dP	20766				
		3dP	28958				

16 Out.5

• ConF

Name	r/w	Adr.	Integer	real	Typ	Value/off	Description
O.Act	r/w	base	4550	41868	Enum	Enum_OAct	Operating sense of the switching output. Direct: Active function (e.g. limit value) switches the output ON; Inverse: Active function (e.g. limit value) switches the output OFF.
		1dP	12742				
		2dP	20934				
		3dP	29126				
						0	direct / normally open
						1	inverse / normally closed
Y.1	r/w	base	4551	41870	Enum	Enum_Y1	Output function: Controller output Y1
		1dP	12743				
		2dP	20935				
		3dP	29127				
						0	not active
						1	This output provides the controller output Y1.
Y.2	r/w	base	4552	41872	Enum	Enum_Y2	Output function: Controller output Y2. Caution: Do not confuse the controller output Y2 with the parameter 'Fixed output Y2' !
		1dP	12744				
		2dP	20936				
		3dP	29128				
						0	not active
						1	This output provides the controller output Y2.
Lim.1	r/w	base	4553	41874	Enum	Enum_Lim1	Output function: Signal limit 1
		1dP	12745				
		2dP	20937				
		3dP	29129				
						0	not active
						1	The output is activated by an alarm from limit value 1.

16 Out.5

• ConF

Name	r/w	Adr.	Integer	real	Typ	Value/off	Description
Lim.2	r/w	base	4554	41876	Enum	Enum_Lim2	Output function: Signal limit 2
		1dP	12746				
		2dP	20938				
		3dP	29130				
0							not active
1							The output is activated by an alarm from limit value 2.
Lim.3	r/w	base	4555	41878	Enum	Enum_Lim3	Output function: Signal limit 3
		1dP	12747				
		2dP	20939				
		3dP	29131				
0							not active
1							The output is activated by an alarm from limit value 3.
LP.AL	r/w	base	4557	41882	Enum	Enum_OUT_LPAL	Output function: Signal Interruption alarm (LOOP) The overall control loop is monitored and the process value has to change with an output signal of maximum value, else loop alarm is generated.
		1dP	12749				
		2dP	20941				
		3dP	29133				
0							not active
1							The loop alarm (= open loop alarm) is assigned to this output.
HC.AL	r/w	base	4558	41884	Enum	Enum_OUT_HCAL	Output function: Signal Heat current alarm. Either break (= current I < heating current limit) can be monitored or overload (= current I > heating current limit), dependent on configuration.
		1dP	12750				
		2dP	20942				
		3dP	29134				
0							not active
1							The heating current alarm is assigned to this output.
HC.SC	r/w	base	4559	41886	Enum	Enum_HCSC	Output function: Signal Solid-state relay (SSR) short circuit. The short circuit alarm of the SSR is triggered, if a current is detected in the heating circuit, although the controller output is switched off.
		1dP	12751				
		2dP	20943				
		3dP	29135				
0							not active
1							Output activated by an SSR fault.
P.End	r/w	base	4561	41890	Enum	Enum_PEnd	Output function: Signal Program end. This message is available when the program has been completed (only when configured as a program controller).
		1dP	12753				
		2dP	20945				
		3dP	29137				
0							not active
1							This output is activated by the message 'Program end'.
FAi.1	r/w	base	4562	41892	Enum	Enum_FAI1	Output function: Signal INP1 fault. The fail signal is generated, if a fault occurs at the analog Input INP1.
		1dP	12754				
		2dP	20946				
		3dP	29138				
0							not active
1							The output sends the error message 'INP1 fault'.

16 Out.5

• ConF

Name	r/w	Adr.	Integer	real	Typ	Value/off	Description
FAi.2	r/w	base	4563	41894	Enum	Enum_FAI2	Output function: Signal INP2 fault. The fail signal is generated, if a fault occurs at the analog Input INP2.
		1dP	12755				
		2dP	20947				
		3dP	29139				
						0	not active
						1	The output sends the error message 'INP2 fault'.

• Signal

Name	r/w	Adr.	Integer	real	Typ	Value/off	Description
Out3	r	base	4580	41928	Enum	Enum_Ausgang	Status of the digital output
		1dP	12772				
		2dP	20964				
		3dP	29156				
						0	off
						1	on
F.Do3	r/w	base	4581	41930	Enum	Enum_Ausgang	Forcing of this digital output. Forcing involves the external operation of an output. The instrument has no influence on this output (use of free outputs by superordinate system).
		1dP	12773				
		2dP	20965				
		3dP	29157				
						0	off
						1	on

17 Out.6

• ConF

Name	r/w	Adr.	Integer	real	Typ	Value/off	Description
O.Act	r/w	base	4650	42068	Enum	Enum_OAct	Operating sense of the switching output. Direct: Active function (e.g. limit value) switches the output ON; Inverse: Active function (e.g. limit value) switches the output OFF.
		1dP	12842				
		2dP	21034				
		3dP	29226				
						0	direct / normally open
						1	inverse / normally closed
Y.1	r/w	base	4651	42070	Enum	Enum_Y1	Output function: Controller output Y1
		1dP	12843				
		2dP	21035				
		3dP	29227				
						0	not active
						1	This output provides the controller output Y1.

17 Out.6

• ConF

Name	r/w	Adr.	Integer	real	Typ	Value/off	Description
Y.2	r/w	base	4652	42072	Enum	Enum_Y2	Output function: Controller output Y2. Caution: Do not confuse the controller output Y2 with the parameter 'Fixed output Y2' !
		1dP	12844				
		2dP	21036				
		3dP	29228				
0 not active							
1 This output provides the controller output Y2.							
Lim.1	r/w	base	4653	42074	Enum	Enum_Lim1	Output function: Signal limit 1
		1dP	12845				
		2dP	21037				
		3dP	29229				
0 not active							
1 The output is activated by an alarm from limit value 1.							
Lim.2	r/w	base	4654	42076	Enum	Enum_Lim2	Output function: Signal limit 2
		1dP	12846				
		2dP	21038				
		3dP	29230				
0 not active							
1 The output is activated by an alarm from limit value 2.							
Lim.3	r/w	base	4655	42078	Enum	Enum_Lim3	Output function: Signal limit 3
		1dP	12847				
		2dP	21039				
		3dP	29231				
0 not active							
1 The output is activated by an alarm from limit value 3.							
LP.AL	r/w	base	4657	42082	Enum	Enum_OUT_LPAL	Output function: Signal Interruption alarm (LOOP) The overall control loop is monitored and the process value has to change with an output signal of maximum value, else loop alarm is generated.
		1dP	12849				
		2dP	21041				
		3dP	29233				
0 not active							
1 The loop alarm (= open loop alarm) is assigned to this output.							
HC.AL	r/w	base	4658	42084	Enum	Enum_OUT_HCAL	Output function: Signal Heat current alarm. Either break (= current I < heating current limit) can be monitored or overload (= current I > heating current limit), dependent on configuration.
		1dP	12850				
		2dP	21042				
		3dP	29234				
0 not active							
1 The heating current alarm is assigned to this output.							
HC.SC	r/w	base	4659	42086	Enum	Enum_HCSC	Output function: Signal Solid-state relay (SSR) short circuit. The short circuit alarm of the SSR is triggered, if a current is detected in the heating circuit, although the controller output is switched off.
		1dP	12851				
		2dP	21043				
		3dP	29235				
0 not active							
1 Output activated by an SSR fault.							

17 Out.6

• ConF

Name	r/w	Adr.	Integer	real	Typ	Value/off	Description
P.End	r/w	base	4661	42090	Enum	Enum_PEnd	Output function: Signal Program end. This message is available when the program has been completed (only when configured as a program controller).
		1dP	12853				
		2dP	21045				
		3dP	29237				
0 not active							
1 This output is activated by the message 'Program end'.							

FAi.1	r/w	base	4662	42092	Enum	Enum_FAi1	Output function: Signal INP1 fault. The fail signal is generated, if a fault occurs at the analog Input INP1.
		1dP	12854				
		2dP	21046				
		3dP	29238				
0 not active							
1 The output sends the error message 'INP1 fault'.							

FAi.2	r/w	base	4663	42094	Enum	Enum_FAi2	Output function: Signal INP2 fault. The fail signal is generated, if a fault occurs at the analog Input INP2.
		1dP	12855				
		2dP	21047				
		3dP	29239				
0 not active							
1 The output sends the error message 'INP2 fault'.							

• Signal

Name	r/w	Adr.	Integer	real	Typ	Value/off	Description
Out4	r	base	4680	42128	Enum	Enum_Ausgang	Status of the digital output
		1dP	12872				
		2dP	21064				
		3dP	29256				
0 off							
1 on							

F.Do4	r/w	base	4681	42130	Enum	Enum_Ausgang	Forcing of this digital output. Forcing involves the external operation of an output. The instrument has no influence on this output (use of free outputs by superordinate system).
		1dP	12873				
		2dP	21065				
		3dP	29257				
0 off							
1 on							

18 PAr.2

• PArA

Name	r/w	Adr.	Integer	real	Typ	Value/off		Description
Pb12	r/w	base	5030	42828	Float	0,1...9999	<input type="checkbox"/>	Proportional band 1 (heating) in engineering unit (e.g. °C) of the 2nd parameter set. The Pb defines the ratio between output value and control deviation. The smaller the value of Pb is, the stronger is the control response for a specific control deviation. Too large and too small values for Pb lead to process oscillations (hunting).
		1dP	13222					
		2dP	21414					
		3dP	29606					
Pb22	r/w	base	5031	42830	Float	0,1...9999	<input type="checkbox"/>	Proportional band 2 (cooling) in engineering unit (e.g. °C) of the 2nd parameter set. The Pb defines the ratio between output value and control deviation. The smaller the value of Pb is, the stronger is the control response for a specific control deviation. Too large and too small values for Pb lead to process oscillations (hunting).
		1dP	13223					
		2dP	21415					
		3dP	29607					
ti22	r/w	base	5033	42834	Float	0...9999	<input checked="" type="checkbox"/>	Integral action time 2 (cooling) [s]. Second parameter set. Ti is the time constant of the integral portion. The smaller Ti is, the faster is the response of the integral action. Ti too small: Control tends to oscillate. Ti too large: Control is sluggish and needs a long time to line out.
		1dP	13225					
		2dP	21417					
		3dP	29609					
ti12	r/w	base	5032	42832	Float	0...9999	<input checked="" type="checkbox"/>	Integral action time 1 (heating) [s]. Second parameter set. Ti is the time constant of the integral portion. The smaller Ti is, the faster is the response of the integral action. Ti too small: Control tends to oscillate. Ti too large: Control is sluggish and needs a long time to line out.
		1dP	13224					
		2dP	21416					
		3dP	29608					
td12	r/w	base	5034	42836	Float	0...9999	<input checked="" type="checkbox"/>	Derivative action time 1 (heating) [s], second parameter set. Td is the time constant of the derivative portion. The faster the process value changes, and the larger the value of Td is, the stronger will be the derivative action. Td too small: Very little derivative action. Td too large: Control tends to oscillate.
		1dP	13226					
		2dP	21418					
		3dP	29610					
td22	r/w	base	5035	42838	Float	0...9999	<input checked="" type="checkbox"/>	Derivative action time 2 (cooling) [s], second parameter set. Td is the time constant of the derivative portion. The faster the process value changes, and the larger the value of Td is, the stronger will be the derivative action. Td too small: Very little derivative action. Td too large: Control tends to oscillate.
		1dP	13227					
		2dP	21419					
		3dP	29611					

19 ProG

• PArA

Name	r/w	Adr.	Integer	real	Typ	Value/off		Description
SP.01	r/w	base	6100	44968	Float	-1999...9999	<input checked="" type="checkbox"/>	End setpoint of segment 1. This is the target setpoint that is reached at the end of the first segment. The target setpoint is approached from the previous valid setpoint (when starting the 1st segment, matching to process value!). When the program is completed, the controller continues with the last target setpoint reached.
		1dP	14292					
		2dP	22484					
		3dP	30676					
Pt.01	r/w	base	6101	44970	Float	0...9999	<input type="checkbox"/>	Segment time 1 defines the duration of the first segment. The gradient of this segment is calculated using the segment time and the setpoint difference (SP – segment starting setpoint). Note: The 1st segment is started at process value.
		1dP	14293					
		2dP	22485					
		3dP	30677					

19 ProG

• PArA

Name	r/w	Adr.	Integer	real	Typ	Value/off		Description
SP.02	r/w	base 1dP 2dP 3dP	6102 14294 22486 30678	44972	Float	-1999...9999	<input checked="" type="checkbox"/>	End setpoint of segment 2. This is the target setpoint that is reached at the end of the second segment. The target setpoint is approached at the end of the second segment. The target setpoint is approached from the previous valid setpoint. When the program is completed, the controller continues with the last target setpoint reached.
Pt.02	r/w	base 1dP 2dP 3dP	6103 14295 22487 30679	44974	Float	0...9999	<input type="checkbox"/>	Segment time 2 defines the duration of the second segment. The gradient of this segment is calculated using the segment time and the setpoint difference (SP – segment starting setpoint).Note: The 1st segment is started at process value.
SP.03	r/w	base 1dP 2dP 3dP	6104 14296 22488 30680	44976	Float	-1999...9999	<input checked="" type="checkbox"/>	End setpoint of segment 3. This is the target setpoint that is reached at the end of the third segment. The target setpoint is approached from the previous valid setpoint. When the program is completed, the controller continues with the last target setpoint reached.
Pt.03	r/w	base 1dP 2dP 3dP	6105 14297 22489 30681	44978	Float	0...9999	<input type="checkbox"/>	Segment time 3 defines the duration of the third segment. The gradient of this segment is calculated using the segment time and the setpoint difference (SP – segment starting setpoint).Note: The 1st segment is started at process value.
SP.04	r/w	base 1dP 2dP 3dP	6106 14298 22490 30682	44980	Float	-1999...9999	<input checked="" type="checkbox"/>	End setpoint of segment 4. This is the target setpoint that is reached at the end of the fourth segment. The target setpoint is approached from the previous valid setpoint. When the program is completed, the controller continues with the last target setpoint reached.
Pt.04	r/w	base 1dP 2dP 3dP	6107 14299 22491 30683	44982	Float	0...9999	<input type="checkbox"/>	Segment time 4 defines the duration of the fourth segment. The gradient of this segment is calculated using the segment time and the setpoint difference (SP – segment starting setpoint).Note: The 1st segment is started at process value.
SP.05	r/w	base 1dP 2dP 3dP	6108 14300 22492 30684	44984	Float	-1999...9999	<input checked="" type="checkbox"/>	End setpoint of segment 5. This is the target setpoint that is reached at the end of the fifth segment. The target setpoint is approached from the previous valid setpoint. When the program is completed, the controller continues with the last target setpoint reached.
Pt.05	r/w	base 1dP 2dP 3dP	6109 14301 22493 30685	44986	Float	0...9999	<input type="checkbox"/>	Segment time 5 defines the duration of the fifth segment. The gradient of this segment is calculated from segment time and setpoint difference (SP – segment starting setpoint).Note: The 1st segment is started at process value.
SP.06	r/w	base 1dP 2dP 3dP	6110 14302 22494 30686	44988	Float	-1999...9999	<input checked="" type="checkbox"/>	End setpoint of segment 6. This is the target setpoint that is reached at the end of the sixth segment. The target setpoint is approached from the previous valid setpoint. When the program is completed, the controller continues with the last target setpoint reached.
Pt.06	r/w	base 1dP 2dP 3dP	6111 14303 22495 30687	44990	Float	0...9999	<input type="checkbox"/>	Segment time 6 defines the duration of the sixth segment. The gradient of this segment is calculated from segment time and setpoint difference (SP – segment starting setpoint).Note: The 1st segment is started at process value.
SP.07	r/w	base 1dP 2dP 3dP	6112 14304 22496 30688	44992	Float	-1999...9999	<input checked="" type="checkbox"/>	End setpoint of segment 7. This is the target setpoint that is reached at the end of the seventh segment. The target setpoint is approached from the previous valid setpoint. When the program is completed, the controller continues with the last target setpoint reached.

19 ProG

• PArA

Name	r/w	Adr.	Integer	real	Typ	Value/off		Description
Pt.07	r/w	base 1dP 2dP 3dP	6113 14305 22497 30689	44994	Float	0...9999	<input type="checkbox"/>	Segment time 7 defines the duration of the seventh segment. The gradient of this segment is calculated from segment time and setpoint difference (SP – segment starting setpoint).Note: The 1st segment is started at process value.
SP.08	r/w	base 1dP 2dP 3dP	6114 14306 22498 30690	44996	Float	-1999...9999	<input checked="" type="checkbox"/>	End setpoint of segment 8. This is the target setpoint that is reached at the end of the eighth segment. The target setpoint is approached from the previous valid setpoint. When the program is completed, the controller continues with the last target setpoint reached.
Pt.08	r/w	base 1dP 2dP 3dP	6115 14307 22499 30691	44998	Float	0...9999	<input type="checkbox"/>	Segment time 8 defines the duration of the eighth segment. The gradient of this segment is calculated from segment time and setpoint difference (SP – segment starting setpoint).Note: The 1st segment is started at process value.
SP.09	r/w	base 1dP 2dP 3dP	6116 14308 22500 30692	45000	Float	-1999...9999	<input checked="" type="checkbox"/>	End setpoint of segment 9. This is the target setpoint that is reached at the end of the ninth segment. The target setpoint is approached from the previous valid setpoint. When the program is completed, the controller continues with the last target setpoint reached.
Pt.09	r/w	base 1dP 2dP 3dP	6117 14309 22501 30693	45002	Float	0...9999	<input type="checkbox"/>	Segment time 9 defines the duration of the ninth segment fest. The gradient of this segment is calculated from segment time and setpoint difference (SP – segment starting setpoint).Note: The 1st segment is started at process value.
SP.10	r/w	base 1dP 2dP 3dP	6118 14310 22502 30694	45004	Float	-1999...9999	<input checked="" type="checkbox"/>	End setpoint of segment 10. This is the target setpoint that is reached at the end of the tenth segment. The target setpoint is approached from the previous valid setpoint. When the program is completed, the controller continues with the last target setpoint reached.
Pt.10	r/w	base 1dP 2dP 3dP	6119 14311 22503 30695	45006	Float	0...9999	<input type="checkbox"/>	Segment time 10 defines the duration of the tenth segment. The gradient of this segment is calculated from segment time and setpoint difference (SP – segment starting setpoint).Note: The 1st segment is started at process value.
b.Lo	r/w	base 1dP 2dP 3dP	6120 14312 22504 30696	45008	Float	0...9999	<input checked="" type="checkbox"/>	Lower bandwidth limit. The bandwidth monitor is valid for all segments of an individual program. If the bandwidth is exceeded, the programmer is stopped. The program continues, if the process value returns within the defined monitoring limits.
b.Hi	r/w	base 1dP 2dP 3dP	6121 14313 22505 30697	45010	Float	0...9999	<input checked="" type="checkbox"/>	Upper bandwidth limit. The bandwidth monitor is valid for all segments of an individual program. If the bandwidth is exceeded, the programmer is stopped. The program continues, if the process value returns within the defined monitoring limits.

19 ProG

• Signal

Name	r/w	Adr.	Integer	real	Typ	Value/off		Description
St.Prog	r	base 1dP 2dP 3dP	6170 14362 22554 30746	45108	Int	0...255	<input type="checkbox"/>	The programmer's status contains bit-wise coded data, e.g. which point of the program sequence the program has reached.
Bit 0,1,2 Type of segment 0: rising 1: falling 2: hold (dwell) Bit 3 Program 'Run' Bit 4 Program 'End' Bit 5 Program 'Reset' Bit 6 Program 'StartFlankMissing' Bit 7 Program 'BandHold + FailHold' Bit 8 Program active								
SP.Pr	r	base 1dP 2dP 3dP	6171 14363 22555 30747	45110	Float	-1999...9999	<input type="checkbox"/>	The programmer's setpoint is displayed as the effective setpoint while the program is running.
T1.Pr	r	base 1dP 2dP 3dP	6172 14364 22556 30748	45112	Float	0...9999	<input type="checkbox"/>	Only with a running program. The net (elapsed) time of the programmer is shown in a simplified form as time elapsed since program start. Caution: Stop times are not counted! If the first segment is defined as a gradient, the program starts at the process value, whereby the offset is defined as the time that the controller would have needed with the gradient beginning at the setpoint valid at program start.
T3.Pr	r	base 1dP 2dP 3dP	6173 14365 22557 30749	45114	Float	0...9999	<input type="checkbox"/>	Only with running program. The remaining programmer time is given by the sum of the currently running segment plus the times of the remaining program segments (without hold times).
T2.Pr	r	base 1dP 2dP 3dP	6174 14366 22558 30750	45116	Float	0...9999	<input type="checkbox"/>	Only while program is running. The net segment time corresponds to the elapsed segment time. Caution: Stop times are not counted! If the first segment has been defined as a gradient, the start commences at process value, and the offset specified for the first segment corresponds to the time that the controller would have required with a gradient beginning at the actual process value when the program was started.
T4.Pr	r	base 1dP 2dP 3dP	6175 14367 22559 30751	45118	Float	0...9999	<input type="checkbox"/>	Only with running program. The remaining time of the running program segment (without hold times).
SG.Pr	r	base 1dP 2dP 3dP	6176 14368 22560 30752	45120	Int	0...4	<input type="checkbox"/>	A program consists of one or more segments which are arranged and defined by means of the segment numbers. By means of the segment number(s), the program can be changed quickly and specifically at the required point.

20 SETP

• PArA

Name	r/w	Adr.	Integer	real	Typ	Value/off		Description
SP.LO	r/w	base 1dP 2dP 3dP	3100 11292 19484 27676	38968	Float	-1999...9999	<input type="checkbox"/>	Lower setpoint limit. The setpoint is raised to this value automatically, if a lower setpoint is adjusted. BUT: The (safety) setpoint W2 is not restricted by the setpoint limits! The setpoint reserve for the step function is 10% of SPHi - SPLo.
SP.Hi	r/w	base 1dP 2dP 3dP	3101 11293 19485 27677	38970	Float	-1999...9999	<input type="checkbox"/>	Upper setpoint limit. The setpoint is reduced to this value automatically, if a higher setpoint is adjusted. BUT: The (safety) setpoint W2 is not restricted by the setpoint limits! The setpoint reserve for the step function is 10% of SPHi - SPLo.
SP.2	r/w	base 1dP 2dP 3dP	3102 11294 19486 27678	38972	Float	-1999...9999	<input type="checkbox"/>	Second (safety) setpoint. Ramp function as with other setpoints (effective, external). However, SP2 is not restricted by the setpoint limits.
r.SP	r/w	base 1dP 2dP 3dP	3103 11295 19487 27679	38974	Float	0,01...9999	<input checked="" type="checkbox"/>	Setpoint gradient [/min] or ramp. Max. rate of change in order to avoid step changes of the setpoint. The gradient acts in the positive and negative directions. Note for self-tuning: with activated gradient function, the setpoint gradient is started from the process value, so that there is no sufficient setpoint reserve.
SP.bo	r/w	base 1dP 2dP 3dP	3105 11297 19489 27681	38978	Float	-1999...9999	<input type="checkbox"/>	Boost increase. Increases the setpoint SP for the duration t.bo by the amount SP.bo. The boost function causes a brief setpoint increase, which is used e.g. to clear blocked channels ('frozen' material) in a hot-runner system.
t.bo	r/w	base 1dP 2dP 3dP	3106 11298 19490 27682	38980	Float	0...9999	<input type="checkbox"/>	Duration of the boost increase in minutes. When the boost time t.bo has elapsed, the controller switches back to the standard setpoint SP. The boost function causes a brief setpoint increase, which is used e.g. to clear blocked channels ('frozen' material) in a hot-runner system.
Y.St	r/w	base 1dP 2dP 3dP	5023 13215 21407 29599	42814	Float	-120...120	<input type="checkbox"/>	Reduced output value for start-up [%]. The start-up function is a protective function, e.g. with hot runner control. To prevent destruction of high-performance heating elements, they must be heated slowly to remove any humidity. With activated start-up function, the controller maintains the reduced starting temperature for a defined dwell period. Subsequently, the controller switches over to the main setpoint.
SP.St	r/w	base 1dP 2dP 3dP	3107 11299 19491 27683	38982	Float	-1999...9999	<input type="checkbox"/>	Setpoint for start-up function. The start-up function is a protective function, e.g. with hot runner control. To prevent destruction of high-performance heating elements, they must be heated slowly to remove any humidity. With activated start-up function, the controller maintains the reduced starting temperature for a defined dwell period. Subsequently, the controller switches over to the main setpoint.
t.St	r/w	base 1dP 2dP 3dP	3108 11300 19492 27684	38984	Float	0...9999	<input type="checkbox"/>	Start-up dwell period [min]. The start-up function is a protective function, e.g. with hot runner control. To prevent destruction of high-performance heating elements, they must be heated slowly to remove any humidity. With activated start-up function, the controller maintains the reduced starting temperature for a defined dwell period. Subsequently, the controller switches over to the main setpoint.

20 SETP

• Signal

Name	r/w	Adr.	Integer	real	Typ	Value/off	Description
SP.EF	r	base 1dP 2dP 3dP	3170 11362 19554 27746	39108	Float	-1999...9999 <input type="checkbox"/>	Effective setpoint. The value reached at the end of setpoint processing, after taking W2, external setpoint, gradient, boost function, programmer settings, start-up function, and limit functions into account. Comparison with the effective process value leads to the control deviation, from which the necessary controller response is derived.
Diff	r	base 1dP 2dP 3dP	3171 11363 19555 27747	39110	Float	-1999...9999 <input type="checkbox"/>	Difference between the effective setpoint and setpoint 2.
SP	r/w	base 1dP 2dP 3dP	3180 11372 19564 27756	39128	Float	-1999...9999 <input type="checkbox"/>	Setpoint for the interface (without the additional function 'Controller off'). SetpInterface acts on the internal setpoint before the setpoint processing stage. Note: The value in RAM is always updated. To protect the EEPROM, storage of the value in the EEPROM is timed (at least one value per half hour).
SP.d	r/w	base 1dP 2dP 3dP	3181 11373 19565 27757	39130	Float	-1999...9999 <input type="checkbox"/>	The effective setpoint is shifted by this value. In this way, the setpoints of several controllers can be shifted together, regardless of the individually adjusted effective setpoints.

21 Tool

• ConF

Name	r/w	Adr.	Integer	real	Typ	Value/off	Description
U.LinT	r/w	base 1dP 2dP 3dP	634 8826 17018 25210	34036	Enum	Enum_Unit	Engineering unit of linearization table (temperature).
						0	without unit
						1	°C
						2	°F

Table Of Contents

1 Cntr		Signal	35
ConF.....	1		
PAr	3		
Signal	6		
2 InP.1			
ConF.....	12		
PAr	14		
3 InP.2			
ConF.....	15		
Signal	15		
PAr	16		
Signal	17		
4 InP.3			
ConF.....	18		
PAr	20		
5 Lim			
ConF.....	21		
Signal	21		
PAr	23		
Signal	23		
6 Lim2			
ConF.....	24		
PAr	24		
Signal	25		
7 Lim3			
ConF.....	25		
PAr	26		
Signal	27		
8 LOGI			
ConF.....	27		
Signal	30		
9 ohnE			
ConF.....	32		
PAr	34		
		Signal	37
10 ohnE1			
Signal			37
11 ohnE2			
Signal			38
12 ohnE3			
Signal			38
13 ohnE4			
Signal			38
14 othr			
ConF.....			39
Signal			41
15 Out.1			
ConF.....			47
Signal			50
16 Out.2			
ConF.....			50
Signal			53
17 Out.3			
ConF.....			54
Signal			57
18 Out.4			
ConF.....			58
19 Out.5			
ConF.....			62
Signal			62
Signal			65
20 Out.6			
ConF.....			65
Signal			68

Table Of Contents

21	PAr.2	
	PAr	69
22	ProG	
	ConF.....	69
	PAr	70
	Signal	87
23	SEtP	
	PAr	88
	Signal	88
24	Tool	
	ConF.....	89

1 Cntr

• ConF

Name	r/w	Adr.	Integer	real	Typ	Value/off	Description
SP.Fn	r/w	base	3150	39068	Enum	Enum_SPFN	Basic configuration for setpoint processing, e.g. 'setpoint controller switchable to external setpoint'. Configuration of special, controller-dependent setpoint functions.
		1dP	11342				
		2dP	19534				
		3dP	27726				

0	set-point controller can be switched over to external set-point (->LOGI/SP.E)
1	Program controller for setpoint profile. The program profile is definable by the user.
8	Setpoint controller switchable to setpoint controller with external setpoint shift (switchable -> LOGI/SP.E).
9	Program controller switchable to program controller with external setpoint shift. (program controller for setpoint profile, the profile can be defined by the user, switchable -> LOGI/SP.E)

Name	r/w	Adr.	Integer	real	Typ	Value/off	Description
C.tYP	r/w	base	5062	42892	Enum	Enum_CtYP	The process value can be assigned directly to an input value, but it can also be computed from the comparison of two input values. For this, various formulas are provided for the user, e.g. the difference or the ratio of the two input values.
		1dP	13254				
		2dP	21446				
		3dP	29638				

0	Standard controller (process value = x1)
1	Ratio controller $(x1+oFFS)/x2$. An offset is added to the input value x1, and then the ratio is calculated from the result and the input value x2. This ratio is used as process value.
2	The process value is calculated as the difference of the two values $(x1 - x2)$.
3	Maximum value of x1 and x2. The higher value is used for control. In case of a sensor fault, control is continued with the remaining process value.
4	Minimum value of x1 and x2. The lower value is used for control. In case of a sensor fault, control is continued with the remaining process value.
5	Mean value $(x1 + x2) / 2$. In case of a sensor fault, control is continued with the remaining process value.
6	Switchover between the input values: process value = x1 or process value = x2.

Name	r/w	Adr.	Integer	real	Typ	Value/off	Description
C.Fnc	r/w	base	5050	42868	Enum	Enum_CFnc	Control behaviour (algorithm) referred to output value: e.g. 2- or 3-point controller, signaller, 3-point stepping control.
		1dP	13242				
		2dP	21434				
		3dP	29626				

0	on/off controller or signaller with one output. The on/off controller or signaller switches if the process value drifts from the setpoint more than the hysteresis.
1	PID control, e.g. heating, with one output: Switched as a digital output (2-point) or used as an analog output (continuous). PID controllers respond quickly to changes of the control deviation, and typically do not exhibit any permanent control offset.
2	D / Y / Off, or 2-point controller with partial/full load switch-over. 2 digital outputs: Y1 is the switching output and Y2 is the changeover contact for D/Y.
3	2 x PID control, e.g. heating/cooling. Two outputs: Switched as a digital output (3-point) or used as an analog output (continuous). PID controllers respond quickly to changes of the control deviation, and typically do not exhibit any permanent control offset.
4	3-point stepping controller, e.g. for motor actuators. Two digital outputs. No actuating pulses are generated when the process is lined out.
5	3-point stepping controller with position feedback signal Yp, e.g. for motorized valves. Two digital outputs. No output signals are generated when the process is lined out. The position feedback signal Yp serves for displaying the actuator position, but also for monitoring the actuator if the DAC function (Digital Actuator Control) is provided.
6	continuous controller with integrated positioner. This is basically a cascade. A tracking controller with three-point stepping behaviour which operates with Yp as process value is used with the continuous controller.

1 Cntr

• ConF

Name	r/w	Adr.	Integer	real	Typ	Value/off	Description	
mAn	r/w	base	5051	42870	Enum	Enum_mAn	Enables the output value to be adjusted in manual operation. If adjustment is not enabled, the output value cannot be changed in manual operation, neither with the front keys nor via the interface. Note: This setting does not affect the auto/manual switchover function.	
		1dP	13243					
		2dP	21435					
		3dP	29627					
							0	The output value cannot be changed in manual operation, neither with the front keys nor via the interface.
							1	The output value is to be adjusted in manual operation (see also LOGI/mAn).
C.Act	r/w	base	5052	42872	Enum	Enum_CAct	Operating sense of the controller. Inverse operation (e.g. heating) means increased heat input when the process value falls. Direct operation (e.g. cooling) means increased heat input when the process value increases.	
		1dP	13244					
		2dP	21436					
		3dP	29628					
							0	Inverse or opposed-sense response, e.g. heating. The controller output is increased with a falling process value, and decreased with a rising process value.
							1	Direct or same-sense response, e.g. cooling. The controller output is increased with a rising process value, and decreased with a falling process value.
FAIL	r/w	base	5053	42874	Enum	Enum_FAIL	With the sensor break response, the operator determines the instrument's reaction to a sensor break, thus ensuring a safe process condition.	
		1dP	13245					
		2dP	21437					
		3dP	29629					
							0	controller outputs switched off
							1	y = parameter Y2 (Caution: fixed parameter Y2, not controller output Y2!). Note for three-point stepping controller: With $Y2 < 0.01$ CLOSED is set (DY= -100%), with $0.01 \leq Y2 \leq 99.9$ no output is set (DY=0%), with $Y2 > 99.9$ OPEN is set (DY= +100%). Note for signallers: With $Y2 < 0.01$ OFF is set, with $0.01 \leq Y2 \leq 99.9$ status keeps unchanged, with $Y2 > 99.9$ ON is set.
							2	y = mean output. The maximum permissible output can be adjusted with parameter Ym.H. To prevent determination of inadmissible values, mean value formation is only if the control deviation is lower than parameter L.Ym.
rnG.L	r/w	base	5059	42886	Float	-1 ... <input type="checkbox"/>	Lower limit for the controller's operating range. The control range is independent of the measurement range. Reducing the control range will increase the sensitivity of the self-tuning process.	
		1dP	13251					
		2dP	21443					
		3dP	29635					
rnG.H	r/w	base	5060	42888	Float	-1 ... <input type="checkbox"/>	Upper limit for the controller's operating range. The control range is independent of the measurement range. Reducing the control range will increase the sensitivity of the self-tuning process.	
		1dP	13252					
		2dP	21444					
		3dP	29636					
CYCL	r/w	base	5055	42878	Enum	Enum_CYCL	Duty cycle for 2-point and 3-point controllers. Internally, the controller calculates a continuous output value, which is converted into switching pulses for digital outputs. The user can adapt the setting to calculate various duty cycles (on/off ratio).	
		1dP	13247					
		2dP	21439					
		3dP	29631					
							0	Standard. 'Bathtub curve'. The adjusted duty cycles t1 and t2 are valid for $\pm 50\%$ control output. With very small and very large control outputs, the effective duty cycle is increased sufficiently to prevent nonsensically short operating pulses. The shortest pulses are limited to $\frac{1}{4}$ of t1 and $\frac{1}{4}$ of t2.
							3	With constant pulses for heating and cooling. The adjusted duty cycles t1 and t2 are maintained over the entire output range. The parameter tp is used to adjust the minimum pulse duration. Shorter pulses are added internally until a pulse of length tp can be generated.

1 Cntr

• ConF

Name	r/w	Adr.	Integer	real	Typ	Value/off	Description
tunE	r/w	base	5056	42880	Enum	Enum_tune	Self-tuning procedure / sequence. Choice between: step response tuning during start-up and pulse response tuning at setpoint; or pulse response tuning during start-up and at setpoint; or only step response tuning during start-up, and no tuning at setpoint (no pulse).
		1dP	13248				
		2dP	21440				
		3dP	29632				

0 At start-up with step function, impulse function at setpoint.
The step function at start up requires a control deviation of more than 10% of the control range. At setpoint, with control deviation less than 10% of the control range, tuning is done with the impulse function.

1 At start-up with impulse function. Setting for fast controlled systems (e.g. hot runner control).
Always tuning with impulse function. At start up, with a control deviation of more than 10% of the control range, the control loop is optimized for a wide control range. At set-point the control deviation during self-tuning is small.

2 At start up and at set-point always tune step function at start up.
Tuning is done with step function at start up, regardless of the control deviation.

Name	r/w	Adr.	Integer	real	Typ	Value/off	Description
Strt	r/w	base	5057	42882	Enum	Enum_Strt	Start of self-tuning. Self-tuning can always be started manually at the request of the operator. Here, it is possible to determine that self-tuning is started automatically under the following conditions: On power-up or when an oscillation of the process value is detected.
		1dP	13249				
		2dP	21441				
		3dP	29633				

0 no automatic start (manual start via front interface)

1 Manual or automatic start of auto-tuning at power on or when oscillating is detected (oscillating of process value by more than $\pm 0.5\%$ of the control range, and simultaneously the output value by more than 20%.) Note: Though the process is unchanged, at power on always the (time-consuming) auto-tuning is started.

Name	r/w	Adr.	Integer	real	Typ	Value/off	Description
Adt0	r/w	base	5061	42890	Enum	Enum_Adt0	Optimization of the switching cycles t1 and t2 for the DED conversion can be disabled here. In order to fine-tune the positioning action, the switching periods are changed by the self-tuning function, if automatic tuning is configured.
		1dP	13253				
		2dP	21445				
		3dP	29637				

0 The cycle duration is determined by auto-tuning. Thereby the best controlling results are obtained.

1 The cycle duration is not determined by auto-tuning. An oversized cycle duration causes bad control behavior. An undersized cycle duration causes a more frequent switching, which can raise the wearout of mechanical actuators (relay, contactor).

• PArA

Name	r/w	Adr.	Integer	real	Typ	Value/off	Description
Pb1	r/w	base	5000	42768	Float	1... <input type="checkbox"/>	Proportional band 1 (heating) in engineering unit, e.g. °C. Pb defines the relationship between controller output and control deviation. The smaller Pb is, the stronger is the control action for a given control deviation. If Pb is too large or too small, the control loop will oscillate (hunting).
		1dP	13192				
		2dP	21384				
		3dP	29576				
Pb2	r/w	base	5001	42770	Float	1... <input type="checkbox"/>	Proportional band 2 (cooling) in engineering units, e.g. °C. Pb defines the relationship between controller output and control deviation. The smaller Pb is, the stronger is the control action for a given control deviation. If Pb is too large or too small, the control loop will oscillate (hunting).
		1dP	13193				
		2dP	21385				
		3dP	29577				

1 Cntr

• PArA

Name	r/w	Adr.	Integer	real	Typ	Value/off		Description
ti1	r/w	base 1dP 2dP 3dP	5002 13194 21386 29578	42772	Float	1...	<input checked="" type="checkbox"/>	Integral action time 1 (heating) [s]. Ti is the time constant of the integral portion. The smaller Ti is, the faster is the response of the integral action. Ti too small: Control tends to oscillate. Ti too large: Control is sluggish and needs a long time to line out.
ti2	r/w	base 1dP 2dP 3dP	5003 13195 21387 29579	42774	Float	1...	<input checked="" type="checkbox"/>	Integral action time 2 (cooling) [s]. Ti is the time constant of the integral portion. The smaller Ti is, the faster is the response of the integral action. Ti too small: Control tends to oscillate. Ti too large: Control is sluggish and needs a long time to line out.
td1	r/w	base 1dP 2dP 3dP	5004 13196 21388 29580	42776	Float	1...	<input checked="" type="checkbox"/>	Derivative action time 1 (heating) [s], second parameter set. Td is the time constant of the derivative portion. The faster the process value changes, and the larger the value of Td is, the stronger will be the derivative action. Td too small: Very little derivative action. Td too large: Control tends to oscillate.
td2	r/w	base 1dP 2dP 3dP	5005 13197 21389 29581	42778	Float	1...	<input checked="" type="checkbox"/>	Derivative action time 2 (cooling) [s], second parameter set. Td is the time constant of the derivative portion. The faster the process value changes, and the larger the value of Td is, the stronger will be the derivative action. Td too small: Very little derivative action. Td too large: Control tends to oscillate.
t1	r/w	base 1dP 2dP 3dP	5006 13198 21390 29582	42780	Float	0,4...	<input type="checkbox"/>	Minimum duty cycle 1 (heating) [s]. With the standard duty cycle converter, the shortest pulse duration is 1/4 x t1. If the duty cycle is not to be optimized, this must be entered in the configuration. (Default: Optimization of the duty cycle during self-tuning, but also if the output value is less than 5%).
t2	r/w	base 1dP 2dP 3dP	5007 13199 21391 29583	42782	Float	0,4...	<input type="checkbox"/>	Minimum duty cycle 2 (cooling) [s]. With the standard duty cycle converter, the shortest pulse duration is 1/4 x t1. If the duty cycle is not to be optimized, this must be entered in the configuration. (Default: Optimization of the duty cycle during self-tuning, but also if the output value is less than 5%).
SH	r/w	base 1dP 2dP 3dP	5014 13206 21398 29590	42796	Float	0...	<input type="checkbox"/>	Neutral zone, or switching difference of the signaller [engineering unit]. Too small: unnecessarily high switching frequency. Too large: reduced controller sensitivity. With 3-point controllers this slows down the direct transition from heating to cooling. With 3-point stepping controllers, it reduces the switching operations of the actuator around setpoint.
d.SP	r/w	base 1dP 2dP 3dP	5016 13208 21400 29592	42800	Float	-1 ...	<input type="checkbox"/>	Separation of the D / Y switch-over point from the setpoint [engineering unit]. With a significant control deviation heating start is in delta connection. When the control deviation increases, the instrument switches over to reduced power (Y connection) for line-out to the set-point.
tP	r/w	base 1dP 2dP 3dP	5009 13201 21393 29585	42786	Float	0,1...	<input checked="" type="checkbox"/>	Minimum pulse duration [s]. Used for switching with constant periods. For positioning values that require a shorter pulse than adjusted for 'tp', the output is suppressed, but 'remembered'. The controller continues adding the internal short pulses until a value equal to 'tp' can be output.

1 Cntr

• PArA

Name	r/w	Adr.	Integer	real	Typ	Value/off	Description
tt	r/w	base 1dP 2dP 3dP	5015 13207 21399 29591	42798	Float	3...	<input type="checkbox"/> Travel time of the actuator motor [s]. If no feedback signal is available, the controller calculates the actuator position by means of an integrator and the adjusted motor travel time. For this reason, a precise definition of the motor travel time between min and max (0% and 100%) is important.
Y.Lo	r/w	base 1dP 2dP 3dP	5018 13210 21402 29594	42804	Float	-105...105	<input type="checkbox"/> Lower output limit [%] The range is dependant of the type of controller: 2 point controller: 0...ymax+1 3 point controller: -105 ymax-1
Y.Hi	r/w	base 1dP 2dP 3dP	5019 13211 21403 29595	42806	Float	-105...105	<input type="checkbox"/> Upper output limit [%] The range is ymin+1105
Y2	r/w	base 1dP 2dP 3dP	5017 13209 21401 29593	42802	Float	-100...100	<input type="checkbox"/> Second positioning value [%]. Activated Y2 = positioner control. Caution: The parameter 'positioning output Y2' must not be confused with the controller output Y2!
Y.0	r/w	base 1dP 2dP 3dP	5020 13212 21404 29596	42808	Float	-105...105	<input type="checkbox"/> Offset for die positioning value [%]. This is added to the controller output, and has the most effect with P and PD controllers. (With PID controllers, the effect is compensated by the integral action.) With a control deviation = 0, the P controller generates a control output Y0.
Ym.H	r/w	base 1dP 2dP 3dP	5021 13213 21405 29597	42810	Float	-105...105	<input type="checkbox"/> Limit for the mean control output value Ym in case of sensor break [%]. The mean control output value is configurable as the response to sensor break. The maximum mean output value = YmH.
L.Ym	r/w	base 1dP 2dP 3dP	5022 13214 21406 29598	42812	Float	1...	<input type="checkbox"/> Max. control deviation (xw), at the start of mean value calculation [engineering unit]. When calculating the mean value, data are only taken into account if the control deviation is small enough. 'Lym' is a preset value that determines how precisely the calculated output value is matched to the setpoint.
oFFS	r/w	base 1dP 2dP 3dP	5024 13216 21408 29600	42816	Float	-120...120	<input type="checkbox"/> Zero point for ratio control. For a given value of X2 (e.g. airflow quantity) the ratio controller changes the corresponding value of X1 (e.g. gas flow quantity), until the required ratio is reached.
HYS.L	r/w	base 1dP 2dP 3dP	5028 13220 21412 29604	42824	Float	0...	<input type="checkbox"/> Switching hysteresis below the setpoint of the signaller [engineering unit].
HYS.H	r/w	base 1dP 2dP 3dP	5029 13221 21413 29605	42826	Float	0...	<input type="checkbox"/> Switching hysteresis above the setpoint of the signaller [engineering unit].

1 Cntr

• Signal

Name	r/w	Adr.	Integer	real	Typ	Value/off	Description
C.InP	r	base 1dP 2dP 3dP	5102 13294 21486 29678	42972	Float	-1 ... <input type="checkbox"/>	process value
Tu2	r	base 1dP 2dP 3dP	5145 13337 21529 29721	43058	Float	0... <input type="checkbox"/>	'Cooling' delay time of the loop. Tu is calculated by the self-tuning function: It is the time delay before the process reacts significantly. In effect, Tu is a dead time that is determined by the reaction of the process to a change of the control output. It is used for defining controller action.
Vmax2	r	base 1dP 2dP 3dP	5146 13338 21530 29722	43060	Float	0... <input type="checkbox"/>	Max. rate of change for 'cooling', i.e. the fastest process value increase during self-tuning. Vmax is calculated by the self-tuning function, and is determined by the reaction of the process to a change of the control output. It is used for defining controller action.
Kp2	r	base 1dP 2dP 3dP	5147 13339 21531 29723	43062	Float	0... <input type="checkbox"/>	Process gain for 'cooling'. For control loops with self-regulation, process gain is the ratio determined by the change of the control output and the resulting permanent change of the process value. Kp is calculated by the self-tuning function, and is used for defining controller action.

1 Cntr

• Signal

Name	r/w	Adr.	Integer	real	Typ	Value/off	Description
St.Cntr	r	base	5100	42968	Int	0...65535	<input type="checkbox"/> Status informations of the controller.f.e. switching signals, controller off or informations about selftuning. The controller sratus shows the actual adjustments of the controller.
		1dP	13292				
		2dP	21484				
		3dP	29676				

Bit 0: Switching signal heating: 0: off 1: on
 Bit 1: Switching signal cooling: 0: off 1: on
 Bit 2: Sensor error 0: ok 1: error
 Bit 3: Controlsignal: Manual/automatic
 0: automatic 1: manual
 Bit 4: Controlsignal: Y2
 0: Y2 not activ 1: Y2 activ
 Bit 5: Controlsignal: Ext. setting of outputsignal
 0: not activ 1: activ
 Bit 6: Controlsignal: Controller off
 0: contr. on 1: contr. off
 Bit 7: Controlsignal:The activ parameter set
 0: parameterset 1
 1: parameterset 2
 Bit 8: Loopalarm
 0: no alarm
 1: alarm
 Bit 9: Soft start function
 0: not activ
 1: activ
 Bit 10: Rate to setpoint
 0: not activ
 1: activ
 Bit 11: Not used
 Bit 12-15: Internal functional statuses (operating state)
 0 0 0 0 Automatic
 0 0 0 1 Selftuning is running
 0 0 1 0 Selftuning faulty
 (Waiting for operator signal)
 0 0 1 1 Sensor error
 0 1 0 0 Not used
 0 1 0 1 Manual
 0 1 1 1 Not used
 1 0 0 0 Manual, with external presetting of the outputsignal
 1 0 0 1 Outputs switched off (neutral)
 1 0 1 0 Abortion of the selftuning (by control- or error-signal)

diFF	r	base	5104	42976	Float	-1 ...	<input type="checkbox"/> Control deviation, is defined as process value minus setpoint. Positive Xw means that the process value is above the setpoint. A small control deviation indicates precise control.
		1dP	13296				
		2dP	21488				
		3dP	29680				
POS	r	base	5105	42978	Float	0...100	<input type="checkbox"/> The position feedback Yp shows the actuator position with 3-point stepping controllers. If Yp is outside the limits Ymin and Ymax, the output of positioning pulses is suppressed.
		1dP	13297				
		2dP	21489				
		3dP	29681				
Tu1	r	base	5141	43050	Float	0...	<input type="checkbox"/> 'Heating' delay time of the loop. Tu is calculated by the self-tuning function: It is the time delay before the process reacts significantly. In effect, Tu is a dead time that is determined by the reaction of the process to a change of the control output. It is used for defining controller action.
		1dP	13333				
		2dP	21525				
		3dP	29717				

1 Cntr

• Signal

Name	r/w	Adr.	Integer	real	Typ	Value/off	Description
Ypid	r	base 1dP 2dP 3dP	5103 13295 21487 29679	42974	Float	-120...120 <input type="checkbox"/>	Output value Ypid is the output signal determined by the controller, and from which the switching pulses for the digital and analog control outputs are calculated. Ypid is also available as an analog signal. e.g. for visualization.
Ada.St	r/w	base 1dP 2dP 3dP	5150 13342 21534 29726	43068	Enum	Enum_AdaStart	Starting / stopping the self-tuning function. After the start signal, the controller waits until the process reaches a stable condition (PIR) before it starts the self-tuning process. Self-tuning can be aborted manually at any time. After a successful self-tuning attempt, the controller automatically resumes normal operation.
						0	'Stop' will abort the self-tuning process, and the controller returns to normal operation with the previous parameter settings.
						1	Start of the self-tuning process is possible during manual or automatic controller operation.
Yman	r/w	base 1dP 2dP 3dP	5151 13343 21535 29727	43070	Float	-110...110 <input type="checkbox"/>	Absolute preset output value, which is used as output value during manual operation. Caution: With 3-point stepping controllers, Yman (evaluated the same as Dyman) is added to the actual output value as a relative shift.
dYman	r/w	base 1dP 2dP 3dP	5152 13344 21536 29728	43072	Float	-220...220 <input type="checkbox"/>	Differential preset output value, which is added to the actual output value during manual operation. Negative values reduce the output.
Yinc	r/w	base 1dP 2dP 3dP	5153 13345 21537 29729	43074	Enum	Enum_YInc	Increasing the output value. There are two speeds: 40 s or 10 s for the change from 0 % to 100 %. Note: The 3-point stepping controller translates the increments as UP.
						0	Not active
						1	increment output
Ydec	r/w	base 1dP 2dP 3dP	5154 13346 21538 29730	43076	Enum	Enum_YDec	Decreasing the output value. There are two speeds: 40 s or 10 s for the change from 0 % to 100 %. Note: The 3-point stepping controller translates the increments as DOWN.
						0	Not active
						1	decrement output
SP.EF	r	base 1dP 2dP 3dP	5101 13293 21485 29677	42970	Float	-1 ... <input type="checkbox"/>	Effective setpoint. The value reached at the end of setpoint processing, after taking W2, external setpoint, gradient, boost function, programmer settings, start-up function, and limit functions into account. Comparison with the effective process value leads to the control deviation, from which the necessary controller response is derived.

1 Cntr

• Signal

Name	r/w	Adr.	Integer	real	Typ	Value/off	Description
St.Tune	r	base	5140	43048	Int	0...65535	<input type="checkbox"/> Status information during self-tuning, e.g. the actual condition, and possible results, warnings, and error messages.
		1dP	13332				
		2dP	21524				
		3dP	29716				
Bit 0 Process lined out; 0 = No; 1 = Yes Bit 1 Operating mode 'Self-tuning controller; 0 = Off; 1 = On Bit 2 Result of controller self-tuning; 0 = OK; 1 = Fault Bit 3 - 7 Not used Bit 8 - 11 Result of the 'heating' attempt 0 0 0 0 No message / Attempt still running 0 0 0 1 Successful 0 0 1 0 Successful, with risk of exceeded setpoint 0 0 1 1 Error: Wrong operating sense 0 1 0 0 Error: No response from process 0 1 0 1 Error: Turning point too low 0 1 1 0 Error: Risk of exceeded setpoint 0 1 1 1 Error: Step output too small 1 0 0 0 Error: Setpoint reserve too small Bit 12 - 15 Result of 'cooling' attempt (same as heating attempt)							
Vmax1	r	base	5142	43052	Float	0...	<input type="checkbox"/> Max. rate of change for 'heating', i.e. the fastest process value increase during self-tuning. Vmax is calculated by the self-tuning function, and is determined by the reaction of the process to a change of the control output. It is used for defining controller action.
		1dP	13334				
		2dP	21526				
		3dP	29718				
Kp1	r	base	5143	43054	Float	0...	<input type="checkbox"/> Process gain for 'heating'. For control loops with self-regulation, process gain is the ratio determined by the change of the control output and the resulting permanent change of the process value. Kp is calculated by the self-tuning function, and is used for defining controller action.
		1dP	13335				
		2dP	21527				
		3dP	29719				

1 Cntr

• Signal

Name	r/w	Adr.	Integer	real	Typ	Value/off	Description	
Msg2	r	base	5148	43064	Enum	Enum_Msg	The result of self-tuning for 'cooling' indicates whether self-tuning was successful, and with what result.	
		1dP	13340					
		2dP	21532					
		3dP	29724					
							0	No message / Tuning attempt still running
							1	Self-tuning has been completed successfully. The new parameters are valid.
							2	Self-tuning was successful, but with a warning. The new parameters are valid. Note: Self-tuning was aborted due to the risk of an exceeded setpoint, but useful parameters were determined. Possibly repeat the attempt with an increased setpoint reserve.
							3	The process reacts in the wrong direction. Possible remedy: Reconfigure the controller (inverse <-> direct). Check the controller output sense (inverse <-> direct).
							4	No response from the process. Perhaps the control loop is open. Possible remedy: Check sensor, connections, and process.
							5	The process value turning point of the step response is too low. Possible remedy: Increase the permitted step output range, i.e. increase the parameter Y.Hi ('heating') or reduce the parameter Y.Lo ('cooling').
							6	Self-tuning was aborted due to the risk of an exceeded setpoint. No useful parameters were determined. Possible remedy: Repeat the attempt with an increased setpoint reserve.
							7	The step output change is not large enough (minimum change > 5 %). Possible remedy: Increase the permitted step output range, i.e. increase the parameter Y.Hi ('heating') or reduce the parameter Y.Lo ('cooling').
							8	The controller is waiting. Setpoint reserve must be given before generating the step output change. Acknowledgment of this error message leads to switch-over to automatic mode. If self-tuning shall be continued, change set-point, change process value, or decrease set-point range.
							9	Impulse tuning failed. No useful parameters were determined. The control loop is perhaps not closed: check sensor, connections and process.

1 Cntr

• Signal

Name	r/w	Adr.	Integer	real	Typ	Value/off	Description
Msg1	r	base	5144	43056	Enum	Enum_Msg	The result of self-tuning for 'heating' indicates whether self-tuning was successful, and with what result.
		1dP	13336				
		2dP	21528				
		3dP	29720				

0	No message / Tuning attempt still running
1	Self-tuning has been completed successfully. The new parameters are valid.
2	Self-tuning was successful, but with a warning. The new parameters are valid. Note: Self-tuning was aborted due to the risk of an exceeded setpoint, but useful parameters were determined. Possibly repeat the attempt with an increased setpoint reserve.
3	The process reacts in the wrong direction. Possible remedy: Reconfigure the controller (inverse <-> direct). Check the controller output sense (inverse <-> direct).
4	No response from the process. Perhaps the control loop is open. Possible remedy: Check sensor, connections, and process.
5	The process value turning point of the step response is too low. Possible remedy: Increase the permitted step output range, i.e. increase the parameter Y.Hi ('heating') or reduce the parameter Y.Lo ('cooling').
6	Self-tuning was aborted due to the risk of an exceeded setpoint. No useful parameters were determined. Possible remedy: Repeat the attempt with an increased setpoint reserve.
7	The step output change is not large enough (minimum change > 5 %). Possible remedy: Increase the permitted step output range, i.e. increase the parameter Y.Hi ('heating') or reduce the parameter Y.Lo ('cooling').
8	The controller is waiting. Setpoint reserve must be given before generating the step output change. Acknowledgment of this error message leads to switch-over to automatic mode. If self-tuning shall be continued, change set-point, change process value, or decrease set-point range.
9	Impulse tuning failed. No useful parameters were determined. The control loop is perhaps not closed: check sensor, connections and process.

Name	r/w	Adr.	Integer	real	Typ	Value/off	Description
YGrw	r/w	base	5155	43078	Enum	Enum_YGrwLs	Gradient of Y-variation 'slow' or 'fast'. Changes the positioning output speed. There are two speeds for output variation: from 0% to 100% in 40s or in 10s.
		1dP	13347				
		2dP	21539				
		3dP	29731				

0	Slow change of Y, from 0% to 100% in 40 seconds.
1	Fast change of Y, from 0% to 100% in 10 seconds.

2 InP.1

• ConF

Name	r/w	Adr.	Integer	real	Typ	Value/off	Description
I.Fnc	r/w	base	167	33102	Enum	Enum_IFnc	Selection of the function assigned to the value at INP1, e.g. value at INP1 is the external setpoint.
		1dP	8359				
		2dP	16551				
		3dP	24743				
						0	no function (subsequent input data are skipped)
						1	Heating current input.
						2	External setpoint SP.E or (depending on version) external setpoint shift SP.E. (Switchover is done via -> LOGI/SP.E).
						3	Position feedback signal Yp.
						4	Second process value X2. For process value functions such as ratio, min, max, mean. Adjustment via Cntr/C.tYP.
						5	Preset for external positioning value Y.E (switchover via -> LOGI/Y.E)
						6	No controller input (replaced e.g. by limit value signalling).
						7	Process value X1.

2 InP.1

• ConF

Name	r/w	Adr.	Integer	real	Typ	Value/off	Description
S.tYP	r/w	base	1150	35068	Enum	Enum_StYP	Sensor type selection. For sensors with signals of resistance transducer, current or voltage measuring, scaling can be adjusted
		1dP	9342				
		2dP	17534				
		3dP	25726				

0	thermocouple type L (-100...900°C), Fe-CuNi DIN Fahrenheit: -148...1652°F
1	thermocouple type J (-100...1200°C), Fe-CuNi Fahrenheit: -148...2192°F
2	thermocouple type K (-100...1350°C), NiCr-Ni Fahrenheit: -148...2462°F
3	thermocouple type N (-100...1300°C), Nicrosil-Nisil Fahrenheit: -148...2372°F
4	thermocouple type S (0...1760°C), PtRh-Pt10% Fahrenheit: 32...3200°F
5	thermocouple type R (0...1760°C), PtRh-Pt13% Fahrenheit: 32...3200°F
6	thermocouple type T (-200...400°C), Cu-CuNi Fahrenheit: -328...752°F
7	thermocouple type C (0...2315°C), W5%Re-W26%Re Fahrenheit: 32...4199°F
8	thermocouple type D (0...2315°C), W3%Re-W25%Re Fahrenheit: 32...4199°F
9	thermocouple type E (-100...1000°C), NiCr-CuNi Fahrenheit: -148...1832°F
10	thermocouple type B (0/400...1820°C), PtRh-Pt6% Fahrenheit: 32/752...3308°F
18	Special thermocouple with a linearization characteristic selectable by the user. This enables non-linear signals to be simulated or linearized.
20	Pt100 (-200.0 ... 100.0(150.0)°C) Measuring range up to 150°C at reduced lead resistance. Fahrenheit: -328...212(302) °F
21	Pt100 (-200.0 ... 850.0 °C) Fahrenheit: -328...1562 °F
22	Pt 1000 (-200.0...850.0 °C) Fahrenheit: -328...1562 °F
23	Special : 0...4500 Ohms. For KTY 11-6 with preset special linearization (-50...150 °C or -58...302 °F).
24	Special 0...450 Ohm
30	Current : 0...20 mA / 4...20 mA
40	0...10V / 2...10V
41	Special -2.5...115 mV
42	Special : -25...1150 mV
50	potentiometer 0...160 Ohm
51	potentiometer 0...450 Ohm
52	potentiometer 0...1600 Ohm
53	potentiometer 0...4500 Ohm

Name	r/w	base	Integer	real	Typ	Value/off	Description
S.Lin	r/w	base	1151	35070	Enum	Enum_SLin	Linearization (not adjustable for all sensor types S.tYP). Special linearization. The linearization table can be created with the Engineering Tool. The default characteristic is for KTY 11-6 temperature sensors.
		1dP	9343				
		2dP	17535				
		3dP	25727				

0	No special linearization.
1	Special linearization. Definition of the linearization table is possible with the Engineering Tool. The default setting is the characteristic of the KTY 11-6 temperature sensor.

2 InP.1

• ConF

Name	r/w	Adr.	Integer	real	Typ	Value/off	Description
Corr	r/w	base	160	33088	Enum	Enum_Corr3	Measured value correction / scaling
		1dP	8352				
		2dP	16544				
		3dP	24736				

0	Without scaling
1	The offset correction (in the CAL Level) can be done on-line in the process. If InL shows the lower input value of the scaling point, then OuL must be adjusted to the corresponding display value. Adjustments are made via the front panel keys of the device only.
2	Two-point correction (in CAL-Level) ist possible offline via process value transmitter or on-line in the process. Set process value for the upper and lower scaling point and confirm as input value InL or InH, then set the belonging displayed value OuL and OuH. The settings are done via the front of the device.
3	Scaling (at PArA-level). The input values for the upper (InL, OuL) and lower scaling point (InH, OuH) are visible at the parameter level. Adjustment is made via front operation or the engineering tool.

Name	r/w	Adr.	Integer	real	Typ	Value/off	Description
In.F	r/w	base	1152	35072	Float	-1 ... <input checked="" type="checkbox"/>	Substitute value in case of a fault. This value is used for calculations, if there is a fault at the input (e.g. FAIL).
		1dP	9344				
		2dP	17536				
		3dP	25728				

• PArA

Name	r/w	Adr.	Integer	real	Typ	Value/off	Description
InL.1	r/w	base	1100	34968	Float	-1 ... <input type="checkbox"/>	Input value of the lower scaling point. Depending on sensor type, the input value can be scaled to the required display value in the Parameter Level. The display of the input value of the lower scaling point (e.g. 4 mA) is done using the corresponding electrical value.
		1dP	9292				
		2dP	17484				
		3dP	25676				
OuL.1	r/w	base	1101	34970	Float	-1 ... <input type="checkbox"/>	Display value of the lower scaling point. Depending on sensor type, the input value can be scaled to the required display value in the Parameter Level. The operator can change the display value of the lower scaling point, e.g. 4 mA is displayed as 2 [pH].
		1dP	9293				
		2dP	17485				
		3dP	25677				
InH.1	r/w	base	1102	34972	Float	-1 ... <input type="checkbox"/>	Input value of the upper scaling point. Depending on sensor type, the input value can be scaled to the required display value in the Parameter Level. The display of the input value of the upper scaling point (e.g. 20 mA) is done using the corresponding electrical value.
		1dP	9294				
		2dP	17486				
		3dP	25678				
OuH.1	r/w	base	1103	34974	Float	-1 ... <input type="checkbox"/>	Display value of the upper scaling point. Depending on sensor type, the input value can be scaled to the required display value in the Parameter Level. The operator can change the display value of the upper scaling point, e.g. 20 mA is displayed as 12 [pH].
		1dP	9295				
		2dP	17487				
		3dP	25679				
t.F1	r/w	base	1104	34976	Float	0...100 <input type="checkbox"/>	Filter time constant [s]. Every input is fitted with a digital (software) low-pass filter for suppressing process-related disturbances on the input leads. Higher filter settings improve the suppression, but increase the delay of the input signals.
		1dP	9296				
		2dP	17488				
		3dP	25680				
E.tc1	r/w	base	1105	34978	Float	0...100 <input checked="" type="checkbox"/>	External temperature compensation (temperature at the junction of thermocouple/copper lead with external temperature compensation).
		1dP	9297				
		2dP	17489				
		3dP	25681				

- Signal

Name	r/w	Adr.	Integer	real	Typ	Value/off	Description
In.1r	r	base	1170	35108	Float	-1 ... <input type="checkbox"/>	Measurement value before the measurement value correction (unprocessed).
		1dP	9362				
		2dP	17554				
		3dP	25746				
Fail	r	base	1171	35110	Enum	Enum_InpFail	Input circuit fault: faulty or incorrectly connected sensor.
		1dP	9363				
		2dP	17555				
		3dP	25747				

0	no error
1	sensor break
2	Incorrect polarity at input.
4	Short circuit at input.

In.1	r	base	1172	35112	Float	-1 ... <input type="checkbox"/>	Measurement value after the measurement value correction (e.g. with offset or 2-point correction, and scaling).
		1dP	9364				
		2dP	17556				
		3dP	25748				
F.Inp	r/w	base	1180	35128	Float	-1 ... <input type="checkbox"/>	Forcing the value for an analog input INP. Forcing involves the external operation of an input. The instrument takes over the value at this input like a measurement value (preset value for inputs from a superordinate system, e.g. for a function test.)
		1dP	9372				
		2dP	17564				
		3dP	25756				

3 InP.2

- ConF

Name	r/w	Adr.	Integer	real	Typ	Value/off	Description
I.Fnc	r/w	base	161	33090	Enum	Enum_IFnc	Selection of the function assigned to the value at INP2, e.g. value at INP2 is the external setpoint.
		1dP	8353				
		2dP	16545				
		3dP	24737				

0	no function (subsequent input data are skipped)
1	Heating current input.
2	External setpoint SP.E or (depending on version) external setpoint shift SP.E. (Switchover is done via -> LOGI/SP.E).
3	Position feedback signal Yp.
4	Second process value X2. For process value functions such as ratio, min, max, mean. Adjustment via Cntr/C.tYP.
5	Preset for external positioning value Y.E (switchover via -> LOGI/Y.E)
6	No controller input (replaced e.g. by limit value signalling).
7	Process value X1.

3 InP.2

• ConF

Name	r/w	Adr.	Integer	real	Typ	Value/off	Description
S.tYP	r/w	base	1250	35268	Enum	Enum_StYP2	Sensor type selection. For sensors with signals of resistance transducer, current or voltage measuring, scaling can be adjusted.
		1dP	9442				
		2dP	17634				
		3dP	25826				
						30	Current : 0...20 mA / 4...20 mA
						31	0...50 mA current (AC)
						50	Potentiometer 0...160 Ohm
						51	Potentiometer 0...450 Ohm
						52	Potentiometer 0...1600 Ohm
						53	Potentiometer 0...4500 Ohm

Name	r/w	base	Integer	real	Typ	Value/off	Description
Corr	r/w	base	162	33092	Enum	Enum_Corr	Measured value correction / scaling
		1dP	8354				
		2dP	16546				
		3dP	24738				
						0	Without scaling
						1	The offset correction (in the CAL Level) can be done on-line in the process. If InL shows the lower input value of the scaling point, then OuL must be adjusted to the corresponding display value. Adjustments are made via the front panel keys of the device only.
						2	2-point correction (in CAL-Level) ist possible offline via process value transmitter or on-line in the process. Set process value for the upper and lower scaling point and confirm as input value InL or InH, then set the belonging displayed value OuL and OuH. The settings are done via the front of the device.
						3	Scaling (at PArA-level). The input values for the upper (InL, OuL) and lower scaling point (InH, OuH) are visible at the parameter level. Adjustment is made via front operation or the engineering tool.

Name	r/w	base	Integer	real	Typ	Value/off	Description
In.F	r/w	base	1252	35272	Float	-1 ...	<input checked="" type="checkbox"/>
		1dP	9444				
		2dP	17636				
		3dP	25828				
							Substitute value in case of a fault. This value is used for calculations, if there is a fault at the input (e.g. FAIL).

• PArA

Name	r/w	Adr.	Integer	real	Typ	Value/off	Description
InL.2	r/w	base	1200	35168	Float	-1 ...	<input type="checkbox"/>
		1dP	9392				
		2dP	17584				
		3dP	25776				
							Input value of the lower scaling point. Depending on sensor type, the input value can be scaled to the required display value in the Parameter Level. The display of the input value of the lower scaling point (e.g. 4 mA) is done using the corresponding electrical value.
OuL.2	r/w	base	1201	35170	Float	-1 ...	<input type="checkbox"/>
		1dP	9393				
		2dP	17585				
		3dP	25777				
							Display value of the lower scaling point. Depending on sensor type, the input value can be scaled to the required display value in the Parameter Level. The operator can change the display value of the lower scaling point, e.g. 4 mA is displayed as 2 [pH].
InH.2	r/w	base	1202	35172	Float	-1 ...	<input type="checkbox"/>
		1dP	9394				
		2dP	17586				
		3dP	25778				
							Input value of the upper scaling point. Depending on sensor type, the input value can be scaled to the required display value in the Parameter Level. The display of the input value of the upper scaling point (e.g. 20 mA) is done using the corresponding electrical value.

3 InP.2

• PArA

Name	r/w	Adr.	Integer	real	Typ	Value/off	Description
OuH.2	r/w	base	1203	35174	Float	-1 ...	<input type="checkbox"/> Display value of the upper scaling point. Depending on sensor type, the input value can be scaled to the required display value in the Parameter Level. The operator can change the display value of the upper scaling point, e.g. 20 mA is displayed as 12 [pH].
		1dP	9395				
		2dP	17587				
		3dP	25779				
t.F2	r/w	base	1204	35176	Float	0...100	<input type="checkbox"/> Filter time constant [s]. Every input is fitted with a digital (software) low-pass filter for suppressing process-related disturbances on the input leads. Higher filter settings improve the suppression, but increase the delay of the input signals.
		1dP	9396				
		2dP	17588				
		3dP	25780				

• Signal

Name	r/w	Adr.	Integer	real	Typ	Value/off	Description
In.2	r	base	1270	35308	Float	-1 ...	<input type="checkbox"/> Measurement value after the measurement value correction (e.g. with offset or 2-point correction, and scaling).
		1dP	9462				
		2dP	17654				
		3dP	25846				
Fail	r	base	1271	35310	Enum	Enum_InpFail	Input circuit fault: faulty or incorrectly connected sensor.
		1dP	9463				
		2dP	17655				
		3dP	25847				

0	no error
1	sensor break
2	Incorrect polarity at input.
4	Short circuit at input.

In.2r	r	base	1272	35312	Float	-1 ...	<input type="checkbox"/> Measurement value before the measurement value correction (unprocessed).
		1dP	9464				
		2dP	17656				
		3dP	25848				
F.Inp	r/w	base	1280	35328	Float	-1 ...	<input type="checkbox"/> Forcing the value for an analog input INP. Forcing involves the external operation of an input. The instrument takes over the value at this input like a measurement value (preset value for inputs from a superordinate system, e.g. for a function test.)
		1dP	9472				
		2dP	17664				
		3dP	25856				

4 InP.3

• ConF

Name	r/w	Adr.	Integer	real	Typ	Value/off	Description
I.Fnc	r/w	base	166	33100	Enum	Enum_IFnc	Selection of the function assigned to the value at INP3, e.g. value at INP3 is the external setpoint.
		1dP	8358				
		2dP	16550				
		3dP	24742				
						0	no function (subsequent input data are skipped)
						1	Heating current input.
						2	External setpoint SP.E or (depending on version) external setpoint shift SP.E. (Switchover is done via -> LOGI/SP.E).
						3	Position feedback signal Yp.
						4	Second process value X2. For process value functions such as ratio, min, max, mean. Adjustment via Cntr/C.tYP.
						5	Preset for external positioning value Y.E (switchover via -> LOGI/Y.E)
						6	No controller input (replaced e.g. by limit value signalling).
						7	Process value X1.

4 InP.3

• ConF

Name	r/w	Adr.	Integer	real	Typ	Value/off	Description
S.tYP	r/w	base	1350	35468	Enum	Enum_StYP3	Sensor type selection. For sensors with signals of resistance transducer, current or voltage measuring, scaling can be adjusted.
		1dP	9542				
		2dP	17734				
		3dP	25926				

0	thermocouple type L (-100...900°C), Fe-CuNi DIN Fahrenheit: -148...1652°F
1	thermocouple type J (-100...1200°C), Fe-CuNi Fahrenheit: -148...2192°F
2	thermocouple type K (-100...1350°C), NiCr-Ni Fahrenheit: -148...2462°F
3	thermocouple type N (-100...1300°C), Nicrosil-Nisil Fahrenheit: -148...2372°F
4	thermocouple type S (0...1760°C), PtRh-Pt10% Fahrenheit: 32...3200°F
5	thermocouple type R (0...1760°C), PtRh-Pt13% Fahrenheit: 32...3200°F
6	thermocouple type T (-200...400°C), Cu-CuNi Fahrenheit: -328...752°F
7	thermocouple type C (0...2315°C), W5%Re-W26%Re Fahrenheit: 32...4199°F
8	thermocouple type D (0...2315°C), W3%Re-W25%Re Fahrenheit: 32...4199°F
9	thermocouple type E (-100...1000°C), NiCr-CuNi Fahrenheit: -148...1832°F
10	thermocouple type B (0/100...1820°C), PtRh-Pt6% Fahrenheit: 32(212)...3308°F
18	Special thermocouple with a linearization characteristic selectable by the user. This enables non-linear signals to be simulated or linearized.
20	Pt100 (-200.0 ... 100.0(150.0)°C) Measuring range at reduced lead resistance up to 150°C. Fahrenheit: -328...212(302)°F
21	Pt100 (-200.0 ... 850.0 °C) Fahrenheit: -328...1562 °F
22	Pt 1000 (-200.0...850.0 °C) Fahrenheit: -328...1562 °F
23	Special : 0...4500 Ohms. For KTY 11-6 with preset special linearization (-50...150 °C or -58...302 °F).
24	Special : 0...450 Ohms
30	Current : 0...20 mA / 4...20 mA
41	Special : -2,5...115 mV
42	Special : -25...1150 mV
50	Potentiometer :0...160 Ohms
51	Potentiometer :0...450 Ohms
52	Potentiometer :0...1600 Ohms
53	Potentiometer :0...4500 Ohms

S.Lin	r/w	base	1351	35470	Enum	Enum_SLin	Description
		1dP	9543				Linearization (not adjustable for all sensor types S.tYP). Special linearization. The linearization table can be created with the Engineering Tool. The default characteristic is for KTY 11-6 temperature sensors.
		2dP	17735				
		3dP	25927				

0	No special linearization.
1	Special linearization. Definition of the linearization table is possible with the Engineering Tool. The default setting is the characteristic of the KTY 11-6 temperature sensor.

4 InP.3

• ConF

Name	r/w	Adr.	Integer	real	Typ	Value/off	Description
Corr	r/w	base	165	33098	Enum	Enum_Corr3	Measured value correction / scaling
		1dP	8357				
		2dP	16549				
		3dP	24741				

0	Without scaling
1	The offset correction (in the CAL Level) can be done on-line in the process. If InL shows the lower input value of the scaling point, then OuL must be adjusted to the corresponding display value. Adjustments are made via the front panel keys of the device only.
2	Two-point correction (in CAL-Level) ist possible offline via process value transmitter or on-line in the process. Set process value for the upper and lower scaling point and confirm as input value InL or InH, then set the belonging displayed value OuL and OuH. The settings are done via the front of the device.
3	Scaling (at PArA-level). The input values for the upper (InL, OuL) and lower scaling point (InH, OuH) are visible at the parameter level. Adjustment is made via front operation or the engineering tool.

In.F	r/w	base	1352	35472	Float	-1 ...	<input checked="" type="checkbox"/>	Substitute value in case of a fault. This value is used for calculations, if there is a fault at the input (e.g. FAIL).
		1dP	9544					
		2dP	17736					
		3dP	25928					

• PArA

Name	r/w	Adr.	Integer	real	Typ	Value/off	Description	
InL.3	r/w	base	1300	35368	Float	-1 ...	<input type="checkbox"/>	Input value of the lower scaling point. Depending on sensor type, the input value can be scaled to the required display value in the Parameter Level. The display of the input value of the lower scaling point (e.g. 4 mA) is done using the corresponding electrical value.
		1dP	9492					
		2dP	17684					
		3dP	25876					
OuL.3	r/w	base	1301	35370	Float	-1 ...	<input type="checkbox"/>	Display value of the lower scaling point. Depending on sensor type, the input value can be scaled to the required display value in the Parameter Level. The operator can change the display value of the lower scaling point, e.g. 4 mA is displayed as 2 [pH].
		1dP	9493					
		2dP	17685					
		3dP	25877					
InH.3	r/w	base	1302	35372	Float	-1 ...	<input type="checkbox"/>	Input value of the upper scaling point. Depending on sensor type, the input value can be scaled to the required display value in the Parameter Level. The display of the input value of the upper scaling point (e.g. 20 mA) is done using the corresponding electrical value.
		1dP	9494					
		2dP	17686					
		3dP	25878					
OuH.3	r/w	base	1303	35374	Float	-1 ...	<input type="checkbox"/>	Display value of the upper scaling point. Depending on sensor type, the input value can be scaled to the required display value in the Parameter Level. The operator can change the display value of the upper scaling point, e.g. 20 mA is displayed as 12 [pH].
		1dP	9495					
		2dP	17687					
		3dP	25879					
t.F3	r/w	base	1304	35376	Float	0... ,	<input type="checkbox"/>	Filter time constant [s]. Every input is fitted with a digital (software) low-pass filter for suppressing process-related disturbances on the input leads. Higher filter settings improve the suppression, but increase the delay of the input signals.
		1dP	9496					
		2dP	17688					
		3dP	25880					
E.tc3	r/w	base	1305	35378	Float	0...100	<input checked="" type="checkbox"/>	External temperature compensation (temperature at the junction of thermocouple/copper lead with external temperature compensation).
		1dP	9497					
		2dP	17689					
		3dP	25881					

- Signal

Name	r/w	Adr.	Integer	real	Typ	Value/off	Description
In.3	r	base	1370	35508	Float	-1 ... <input type="checkbox"/>	Measurement value after the measurement value correction (e.g. with offset or 2-point correction, and scaling).
		1dP	9562				
		2dP	17754				
		3dP	25946				
Fail	r	base	1371	35510	Enum	Enum_InpFail	Input circuit fault: faulty or incorrectly connected sensor.
		1dP	9563				
		2dP	17755				
		3dP	25947				

0	no error
1	sensor break
2	Incorrect polarity at input.
4	Short circuit at input.

In.3r	r	base	1372	35512	Float	-1 ... <input type="checkbox"/>	Measurement value before the measurement value correction (unprocessed).
		1dP	9564				
		2dP	17756				
		3dP	25948				
F.Inp	r/w	base	1380	35528	Float	-1 ... <input type="checkbox"/>	Forcing the value for an analog input INP. Forcing involves the external operation of an input. The instrument takes over the value at this input like a measurement value (preset value for inputs from a superordinate system, e.g. for a function test.)
		1dP	9572				
		2dP	17764				
		3dP	25956				

5 Lim

- ConF

Name	r/w	Adr.	Integer	real	Typ	Value/off	Description
Fnc.1	r/w	base	2150	37068	Enum	Enum_Fcn	Activation and adjustment of the limit value alarm (e.g. for input circuit monitoring), e.g. with/without storage.
		1dP	10342				
		2dP	18534				
		3dP	26726				

0	No limit value monitoring.
1	measured value monitoring. The alarm signal is generated, if the limit is exceeded. If the measured value is within the limits (including hysteresis) again, this alarm signal is resetted.
2	Measured value monitoring + alarm status latch. An alarm signal is generated, if the limit is exceeded. A latched alarm signal remains latched until it is manually resetted.
3	Signal monitoring for rate of change (per minute).
4	Signal monitoring for rate of change (per minute) + storage of the alarm status.

5 Lim

• ConF

Name	r/w	Adr.	Integer	real	Typ	Value/off	Description
Src.1	r/w	base	2151	37070	Enum	Enum_Src	Source for limit value. Selection of which value is to be monitored.
		1dP	10343				
		2dP	18535				
		3dP	26727				
						0	Process value = absolute alarm
						1	control deviation x_w (process value - set-point) = relative alarm Note: Monitoring with the effective set-point W_{eff} . For example using a ramp it is the changing set-point, not the target set-point of the ramp.
						2	Control deviation X_w (= relative alarm) with suppression during start-up and setpoint changes. Limit value monitoring is continued as soon as the control deviation comes within the alarm limits again, at the latest after $10 \cdot T_n$.
						3	Measured value of the analog input INP1.
						4	Measured value of the analog input INP2.
						5	Measured value of the analog input INP3.
						6	effective set-point W_{eff} . For example the ramp-function changes the effective set-point until it matches the internal (target) set-point.
						7	correcting variable y (controller output)
						8	control variable deviation x_w (actual value - internal set-point) = deviation alarm to internal set-point Note: Monitoring with the internal set-point W_{int} . For example using a ramp it is the target setpoint, not the changing set-point of the ramp.
						9	Difference $x_1 - x_2$ (e.g. in combination with the process value function "Mean value", applicable for detecting aged thermocouples), difference between first and second process value.
						11	Control deviation X_w (= relative alarm) with suppression during start-up and setpoint change. Limit value monitoring is continued as soon as the control deviation comes within the alarm limits again.
HC.AL	r/w	base	2050	36868	Enum	Enum_HCAL	Activation of alarm heat current function. Either overload or break can be monitored, overload = current $I >$ heat current limit, or break = current $I <$ heat current limit. Short circuit is monitored in both cases.
		1dP	10242				
		2dP	18434				
		3dP	26626				
						0	No heating current alarm.
						1	Overload and short circuit monitoring. Overload = current $I >$ heat current limit.
						2	Break and short circuit monitoring. Break = current $I <$ heat current limit.
LP.AL	r/w	base	5058	42884	Enum	Enum_LPAL	Monitoring of control loop interruption (not possible with 3-point stepping controller, not possible with signaller)
		1dP	13250				
		2dP	21442				
		3dP	29634				
						0	switched off / inactive
						1	LOOP alarm is generated, if with $Y=100\%$ there is no corresponding reaction of the process variable within the time of $2 \cdot t_i$. Possible remedial action: Check heating or cooling circuit, check sensor and replace it, if necessary, check controller and switching device.

5 Lim

• PArA

Name	r/w	Adr.	Integer	real	Typ	Value/off	Description
L.1	r/w	base 1dP 2dP 3dP	2100 10292 18484 26676	36968	Float	-1 ... <input checked="" type="checkbox"/>	Lower limit value. The alarm is triggered if the value falls below the limit, and is reset with lower limit value plus hysteresis.
H.1	r/w	base 1dP 2dP 3dP	2101 10293 18485 26677	36970	Float	-1 ... <input checked="" type="checkbox"/>	Upper limit value. The alarm is triggered if the value rises above the limit, and is reset with upper lower limit value plus hysteresis.
HYS.1	r/w	base 1dP 2dP 3dP	2102 10294 18486 26678	36972	Float	0... <input type="checkbox"/>	Hysteresis of the limit value. Switching difference for upper and lower limit value. The limit value must change by this amount (rise above upper limit or fall below lower limit) before the limit value alarm is reset.
dEL.1	r/w	base 1dP 2dP 3dP	2103 10295 18487 26679	36974	Float	0... <input type="checkbox"/>	Delayed alarm of a limit value. The alarm is only triggered after the defined delay time. It is only indicated, and possibly stored, if it is still present after the delay time has elapsed.
HC.A	r/w	base 1dP 2dP 3dP	2000 10192 18384 26576	36768	Float	-1 ... <input type="checkbox"/>	Heating current monitoring limit [A]. Depending on configuration, and apart from short-circuit monitoring, an overload test checks whether the heating current is above the adjusted current limit, or below the limit when the heating is switched off. The heating current is measured by means of a current transformer (accessory), and the current range can be adapted.

• Signal

Name	r/w	Adr.	Integer	real	Typ	Value/off	Description
St.HC	r	base 1dP 2dP 3dP	2070 10262 18454 26646	36908	Int	0...3 <input type="checkbox"/>	Status of the heating current alarm. Displayable are heating current short-circuit and/or heating current alarm. Depending on configuration, the heating current alarm is either an interruption of heating current ($I < \text{limit value}$) or heating current overload ($I > \text{limit value}$).
HC	r	base 1dP 2dP 3dP	2071 10263 18455 26647	36910	Float	-1 ... <input type="checkbox"/>	Measured heating current [A]. Apart from the short circuit test, and depending on configuration, an overcurrent test (current $I > \text{heating current limit}$) and an open circuit test (current $I < \text{heating current limit}$) is executed. The heating current is measured by means of a (separate) current transformer, whereby the input range can be scaled.
SSr	r	base 1dP 2dP 3dP	2072 10264 18456 26648	36912	Float	-1 ... <input type="checkbox"/>	Measured current with SSr [A]. The heating current (SSR) is short circuited, if there is a current flow even though the controller output is switched off. Suggested remedy: check heating current circuit, replace solid-state relay if necessary.
St.Lim	r	base 1dP 2dP 3dP	2170 10362 18554 26746	37108	Enum	Enum_LimStatus	Limit value status: No alarm present or stored.

0	no alarm
1	latched alarm
2	A limit value has been exceeded.

6 Lim2

• ConF

Name	r/w	Adr.	Integer	real	Typ	Value/off	Description
Fnc.2	r/w	base	2250	37268	Enum	Enum_Fcn	Activation and adjustment of the limit value alarm (e.g. for input circuit monitoring), e.g. with/without storage.
		1dP	10442				
		2dP	18634				
		3dP	26826				

0	No limit value monitoring.
1	measured value monitoring. The alarm signal is generated, if the limit is exceeded. If the measured value is within the limits (including hysteresis) again, this alarm signal is reset.
2	Measured value monitoring + alarm status latch. An alarm signal is generated, if the limit is exceeded. A latched alarm signal remains latched until it is manually reset.
3	Signal monitoring for rate of change (per minute).
4	Signal monitoring for rate of change (per minute) + storage of the alarm status.

Name	r/w	base	Integer	real	Typ	Value/off	Description
Src.2	r/w	base	2251	37270	Enum	Enum_Src	Source for limit value. Selection of which value is to be monitored.
		1dP	10443				
		2dP	18635				
		3dP	26827				

0	Process value = absolute alarm
1	control deviation x_w (process value - set-point) = relative alarm Note: Monitoring with the effective set-point $Weff$. For example using a ramp it is the changing set-point, not the target set-point of the ramp.
2	Control deviation X_w (= relative alarm) with suppression during start-up and setpoint changes. Limit value monitoring is continued as soon as the control deviation comes within the alarm limits again, at the latest after $10 \cdot T_n$.
3	Measured value of the analog input INP1.
4	Measured value of the analog input INP2.
5	Measured value of the analog input INP3.
6	effective set-point $Weff$. For example the ramp-function changes the effective set-point until it matches the internal (target) set-point.
7	correcting variable y (controller output)
8	control variable deviation x_w (actual value - internal set-point) = deviation alarm to internal set-point Note: Monitoring with the internal set-point $Wint$. For example using a ramp it is the target setpoint, not the changing set-point of the ramp.
9	Difference $x_1 - x_2$ (e.g. in combination with the process value function "Mean value", applicable for detecting aged thermocouples), difference between first and second process value.
11	Control deviation X_w (= relative alarm) with suppression during start-up and setpoint change. Limit value monitoring is continued as soon as the control deviation comes within the alarm limits again.

• PArA

Name	r/w	Adr.	Integer	real	Typ	Value/off	Description
L.2	r/w	base	2200	37168	Float	-1 ... <input checked="" type="checkbox"/>	Lower limit value. The alarm is triggered if the value falls below the limit, and is reset with lower limit value plus hysteresis.
		1dP	10392				
		2dP	18584				
		3dP	26776				

6 Lim2

• PArA

Name	r/w	Adr.	Integer	real	Typ	Value/off	Description
H.2	r/w	base	2201	37170	Float	-1 ... <input checked="" type="checkbox"/>	Upper limit value. The alarm is triggered if the value rises above the limit, and is reset with upper lower limit value plus hysteresis.
		1dP	10393				
		2dP	18585				
		3dP	26777				
HYS.2	r/w	base	2202	37172	Float	0... <input type="checkbox"/>	Hysteresis of the limit value. Switching difference for upper and lower limit value. The limit value must change by this amount (rise above upper limit or fall below lower limit) before the limit value alarm is reset.
		1dP	10394				
		2dP	18586				
		3dP	26778				
dEL.2	r/w	base	2203	37174	Float	0... <input type="checkbox"/>	Delayed alarm of a limit value. The alarm is only triggered after the defined delay time. It is only indicated, and possibly stored, if it is still present after the delay time has elapsed.
		1dP	10395				
		2dP	18587				
		3dP	26779				

• Signal

Name	r/w	Adr.	Integer	real	Typ	Value/off	Description
St.Lim	r	base	2270	37308	Enum	Enum_LimStatus	Limit value status: No alarm present or stored.
		1dP	10462				
		2dP	18654				
		3dP	26846				

0	no alarm
1	latched alarm
2	A limit value has been exceeded.

7 Lim3

• ConF

Name	r/w	Adr.	Integer	real	Typ	Value/off	Description
Fnc.3	r/w	base	2350	37468	Enum	Enum_Fcn	Activation and adjustment of the limit value alarm (e.g. for input circuit monitoring), e.g. with/without storage.
		1dP	10542				
		2dP	18734				
		3dP	26926				

0	No limit value monitoring.
1	measured value monitoring. The alarm signal is generated, if the limit is exceeded. If the measured value is within the limits (including hysteresis) again, this alarm signal is reset.
2	Measured value monitoring + alarm status latch. An alarm signal is generated, if the limit is exceeded. A latched alarm signal remains latched until it is manually reset.
3	Signal monitoring for rate of change (per minute).
4	Signal monitoring for rate of change (per minute) + storage of the alarm status.

7 Lim3

• ConF

Name	r/w	Adr.	Integer	real	Typ	Value/off	Description
Src.3	r/w	base	2351	37470	Enum	Enum_Src	Source for limit value. Selection of which value is to be monitored.
		1dP	10543				
		2dP	18735				
		3dP	26927				
						0	Process value = absolute alarm
						1	control deviation x_w (process value - set-point) = relative alarm Note: Monitoring with the effective set-point W_{eff} . For example using a ramp it is the changing set-point, not the target set-point of the ramp.
						2	Control deviation X_w (= relative alarm) with suppression during start-up and setpoint changes. Limit value monitoring is continued as soon as the control deviation comes within the alarm limits again, at the latest after $10 \cdot T_n$.
						3	Measured value of the analog input INP1.
						4	Measured value of the analog input INP2.
						5	Measured value of the analog input INP3.
						6	effective set-point W_{eff} . For example the ramp-function changes the effective set-point until it matches the internal (target) set-point.
						7	correcting variable y (controller output)
						8	control variable deviation x_w (actual value - internal set-point) = deviation alarm to internal set-point Note: Monitoring with the internal set-point W_{int} . For example using a ramp it is the target setpoint, not the changing set-point of the ramp.
						9	Difference $x_1 - x_2$ (e.g. in combination with the process value function "Mean value", applicable for detecting aged thermocouples), difference between first and second process value.
						11	Control deviation X_w (= relative alarm) with suppression during start-up and setpoint change. Limit value monitoring is continued as soon as the control deviation comes within the alarm limits again.

• PArA

Name	r/w	Adr.	Integer	real	Typ	Value/off	Description
L.3	r/w	base	2300	37368	Float	-1 ... <input checked="" type="checkbox"/>	Lower limit value. The alarm is triggered if the value falls below the limit, and is reset with lower limit value plus hysteresis.
		1dP	10492				
		2dP	18684				
		3dP	26876				
H.3	r/w	base	2301	37370	Float	-1 ... <input checked="" type="checkbox"/>	Upper limit value. The alarm is triggered if the value rises above the limit, and is reset with upper lower limit value plus hysteresis.
		1dP	10493				
		2dP	18685				
		3dP	26877				
HYS.3	r/w	base	2302	37372	Float	0... <input type="checkbox"/>	Hysteresis of the limit value. Switching difference for upper and lower limit value. The limit value must change by this amount (rise above upper limit or fall below lower limit) before the limit value alarm is reset.
		1dP	10494				
		2dP	18686				
		3dP	26878				
dEL.3	r/w	base	2303	37374	Float	0... <input type="checkbox"/>	Delayed alarm of a limit value. The alarm is only triggered after the defined delay time. It is only indicated, and possibly stored, if it is still present after the delay time has elapsed.
		1dP	10495				
		2dP	18687				
		3dP	26879				

7 Lim3

• Signal

Name	r/w	Adr.	Integer	real	Typ	Value/off	Description
St.Lim	r	base	2370	37508	Enum	Enum_LimStatus	Limit value status: No alarm present or stored.
		1dP	10562				
		2dP	18754				
		3dP	26946				
						0	no alarm
						1	latched alarm
						2	A limit value has been exceeded.

8 LOGI

• ConF

Name	r/w	Adr.	Integer	real	Typ	Value/off	Description
L_r	r/w	base	1051	34870	Enum	Enum_dInP1	Local / remote switchover (Remote: Adjustment of all values via the front panel is blocked).
		1dP	9243				
		2dP	17435				
		3dP	25627				
						0	no function (switch-over via interface is possible)
						1	always active
						2	Digital Input DI1 switches
						3	DI2 switches (only visible with OPTION)
						4	DI3 switches (only visible with OPTION)
						5	F-key switches.
SP.2	r/w	base	1052	34872	Enum	Enum_dInP4	Source of the control signal for activating the second (safety) setpoint (SP.2=) W2. Note: W2 is not restricted by the setpoint limits.
		1dP	9244				
		2dP	17436				
		3dP	25628				
						0	no function (switch-over via interface is possible)
						2	Digital Input DI1 switches
						3	DI2 switches (only visible with OPTION)
						4	DI3 switches (only visible with OPTION)
						5	F-key switches.
SP.E	r/w	base	1053	34874	Enum	Enum_dInP1	Switching between internal set-point an external setpoint SP.E. The external SP.E is either the absolute set-point Wext or the offset to the set-point (dependent on instrument and configuration).
		1dP	9245				
		2dP	17437				
		3dP	25629				
						0	no function (switch-over via interface is possible)
						1	always active
						2	Digital Input DI1 switches
						3	DI2 switches (only visible with OPTION)
						4	DI3 switches (only visible with OPTION)
						5	F-key switches.

8 LOGI

• ConF

Name	r/w	Adr.	Integer	real	Typ	Value/off	Description
Y2	r/w	base	1054	34876	Enum	Enum_dInP3	Source of the control signal for activating the second positioning output Y2. Activated Y2 = positioner control. Caution: The parameter 'positioning output Y2' must not be confused with the controller output Y2!
		1dP	9246				
		2dP	17438				
		3dP	25630				
						0	no function (switch-over via interface is possible)
						2	Digital Input DI1 switches
						3	DI2 switches (only visible with OPTION)
						4	DI3 switches (only visible with OPTION)
						5	F-key switches.
						6	Auto/manual key switches (A/M key)
Y.E	r/w	base	1055	34878	Enum	Enum_dInP2	Signal for activating the external output value. The internal output value Ypid is the controllers reaction on the process, with external output value Y.E the controller output is controlled.
		1dP	9247				
		2dP	17439				
		3dP	25631				
						0	no function (switch-over via interface is possible)
						1	always activated (manual station)
						2	Digital Input DI1 switches
						3	DI2 switches (only visible with OPTION)
						4	DI3 switches (only visible with OPTION)
						5	F-key switches.
						6	Auto/manual key switches (A/M key)
mAn	r/w	base	1056	34880	Enum	Enum_dInP2	Source of the control signal for auto/manual switchover. In the automatic mode, the controller is in charge. In the manual mode, the outputs can be varied independently of the process.
		1dP	9248				
		2dP	17440				
		3dP	25632				
						0	no function (switch-over via interface is possible)
						1	always activated (manual station)
						2	Digital Input DI1 switches
						3	DI2 switches (only visible with OPTION)
						4	DI3 switches (only visible with OPTION)
						5	F-key switches.
						6	Auto/manual key switches (A/M key)
C.off	r/w	base	1057	34882	Enum	Enum_dInP3	Source of the control signal for disabling all the controller outputs. Note: Forcing has priority, and remains active; alarm processing also remains active.
		1dP	9249				
		2dP	17441				
		3dP	25633				
						0	no function (switch-over via interface is possible)
						2	Digital Input DI1 switches
						3	DI2 switches (only visible with OPTION)
						4	DI3 switches (only visible with OPTION)
						5	F-key switches.
						6	Auto/manual key switches (A/M key)

8 LOGI

• ConF

Name	r/w	Adr.	Integer	real	Typ	Value/off	Description
m.Loc	r/w	base	1058	34884	Enum	Enum_dInP4	Source of the control signal to disable the auto/manual key. If the A/M key is disabled, switchover to manual operation is not possible.
		1dP	9250				
		2dP	17442				
		3dP	25634				
						0	no function (switch-over via interface is possible)
						2	Digital Input DI1 switches
						3	DI2 switches (only visible with OPTION)
						4	DI3 switches (only visible with OPTION)
						5	F-key switches.
Err.r	r/w	base	1059	34886	Enum	Enum_dInP3	Source of the control signal for resetting all stored entries in the error list (the list contains all error messages and alarms). If an alarm is still present, i.e. the source of trouble has not been remedied, stored alarms cannot be acknowledged (reset).
		1dP	9251				
		2dP	17443				
		3dP	25635				
						0	no function (switch-over via interface is possible)
						2	Digital Input DI1 switches
						3	DI2 switches (only visible with OPTION)
						4	DI3 switches (only visible with OPTION)
						5	F-key switches.
						6	Auto/manual key switches (A/M key)
Pid.2	r/w	base	1061	34890	Enum	Enum_dInP4	Source of the control signal for switchover between the two parameter sets. The second parameter set is complete, and comprises Pb (= proportional band), ti (= integral action time), and td (= derivative action time) for heating and for cooling. All other control parameters, e.g. the switching duty cycles, are valid for both parameter sets.
		1dP	9253				
		2dP	17445				
		3dP	25637				
						0	no function (switch-over via interface is possible)
						2	Digital Input DI1 switches
						3	DI2 switches (only visible with OPTION)
						4	DI3 switches (only visible with OPTION)
						5	F-key switches.
P.run	r/w	base	1062	34892	Enum	Enum_dInP6	Source of the control signal for switching the programmer between Run and Stop. On units with a simple programmer (only 1 program), a stop immediately causes a reset, followed by a new start. With units that have been defined as program controllers (several programs), the program is stopped, and then continued.
		1dP	9254				
		2dP	17446				
		3dP	25638				
						0	no function
						2	Digital Input DI1 switches
						3	DI2 switches (only visible with OPTION)
						4	DI3 switches (only visible with OPTION)
P.oFF	r/w	base	1063	34894	Enum	Enum_dInP5	Source of the control signal for switching off the programmer (if the programmer is switched off, the internal setpoint becomes effective).
		1dP	9255				
		2dP	17447				
		3dP	25639				
						0	no function
						2	Digital Input DI1 switches
						3	DI2 switches (only visible with OPTION)
						4	DI3 switches (only visible with OPTION)

8 LOGI

• ConF

Name	r/w	Adr.	Integer	real	Typ	Value/off	Description
I.Chg	r/w	base	1064	34896	Enum	Enum_dInP4	Signal source for switching the effective process value between the first process value X1 and second process value X2.
		1dP	9256				
		2dP	17448				
		3dP	25640				
						0	no function (switch-over via interface is possible)
						2	Digital Input DI1 switches
						3	DI2 switches (only visible with OPTION)
						4	DI3 switches (only visible with OPTION)
						5	F-key switches.

Name	r/w	base	Integer	real	Typ	Value/off	Description
di.Fn	r/w	base	1050	34868	Enum	Enum_diFn	Function of digital inputs (valid for all inputs)
		1dP	9242				
		2dP	17434				
		3dP	25626				
						0	Basic setting 'Off': A permanent positive signal switches this function 'On', which is connected to the digital input. Removal of the signal switches the function 'Off' again.
						1	Basic setting 'On': A permanent positive signal switches this function 'Off', which is connected to the digital input. Removal of the signal switches the function 'On' again.
						2	Push-button function. Basic setting 'Off'. Only positive signals are effective. The first positive signal switches 'On'. Removal of the signal is necessary before the next positive signal can switch 'Off'.

• Signal

Name	r/w	Adr.	Integer	real	Typ	Value/off	Description
St.Di	r	base	1070	34908	Int	0...7	<input checked="" type="checkbox"/>
		1dP	9262				
		2dP	17454				
		3dP	25646				
							Bit 0 Input 1 Bit 1 Input 2 Bit 2 Input 3 Bit 8 Status of 'F' key Bit 9 Status of 'A/M' key Bit 10 Status of 'Sel' key Bit 11 Status of 'Down' key Bit 12 Status of 'Up' key Bit 13 Status of 'Loc' key
L-R	r/w	base	1080	34928	Int	0...1	<input type="checkbox"/>
		1dP	9272				
		2dP	17464				
		3dP	25656				
							Remote operation. Remote means that all values can only be adjusted via the interface. Adjustments via the front panel are blocked.
W_W2	r/w	base	1081	34930	Int	0...1	<input type="checkbox"/>
		1dP	9273				
		2dP	17465				
		3dP	25657				
							Signal for activating the second (safety) setpoint (SP.2=) W2. Note: Setpoint W2 is not restricted by the setpoint limits!

8 LOGI

• Signal

Name	r/w	Adr.	Integer	real	Typ	Value/off	Description
Wi_We	r/w	base 1dP 2dP 3dP	1082 9274 17466 25658	34932	Int	0...1	<input type="checkbox"/> Signal for activating the external setpoint value. SP.E is the external setpoint, or dependent on the device and configuration of the setpoint shift.
Y_Y2	r/w	base 1dP 2dP 3dP	1083 9275 17467 25659	34934	Int	0...1	<input type="checkbox"/> Signal for activating the 2nd output value Y2. With selected Y2, the output is operated as a positioner. Caution: Do not confuse the parameter 'fixed output Y2' with the controller output Y2!
Y_Y.E	r/w	base 1dP 2dP 3dP	1084 9276 17468 25660	34936	Int	0...1	<input type="checkbox"/> Signal for activating the external positioning value. The controller is operated as positioner.
A-M	r/w	base 1dP 2dP 3dP	1085 9277 17469 25661	34938	Int	0...1	<input type="checkbox"/> Signal for activating manual operation. In the manual mode, the controller provides output signals independent of the process.
C.Off	r/w	base 1dP 2dP 3dP	1086 9278 17470 25662	34940	Int	0...1	<input type="checkbox"/> Signal for disabling all the controller outputs. Note: Forcing has priority; alarm processing remains active.
L.AM	r/w	base 1dP 2dP 3dP	1087 9279 17471 25663	34942	Int	0...1	<input type="checkbox"/> Signal for disabling manual operation. Triggers a forced switchover to automatic mode, and disables the front panel A/M key (also if other functions have been assigned to the key).
Err.r	r/w	base 1dP 2dP 3dP	1088 9280 17472 25664	34944	Int	0...1	<input type="checkbox"/> Signal for resetting the entire error list. The error list contains all errors that are reported, e.g. device faults and limit values. It also contains queued as well as stored errors after their correction. The reset acknowledges all errors, whereby queued errors will reappear after the next error detection (measurement).
SSR.Res	r/w	base 1dP 2dP 3dP	1089 9281 17473 25665	34946	Int	0...1	<input type="checkbox"/> Reset of the alarm triggered by a solid-state relay (SSR). SSRs are mostly used for frequent switching of heating elements, because they have no mechanical contacts that can wear out. However, an unnoticed short circuit could lead to overheating of the machine.
Set1.2	r/w	base 1dP 2dP 3dP	1091 9283 17475 25667	34950	Int	0...1	<input type="checkbox"/> Switch-over of parameter set. The 2nd parameter set contains one complete set each of Pb (= proportional band), ti (= integral action time), and td (= derivative action time) for heating and for cooling. All other control parameters, such as switching duty cycles, are valid for both parameter sets.
Prg.R.S	r/w	base 1dP 2dP 3dP	1092 9284 17476 25668	34952	Int	0...1	<input type="checkbox"/> Signal for starting the programmer. On units with a simple programmer (only 1 program), a stop immediately causes a reset, followed by a new start. With units that have been defined as program controllers (several programs), the program is stopped, and then continued.
Prg.Res	r/w	base 1dP 2dP 3dP	1093 9285 17477 25669	34954	Int	0...1	<input type="checkbox"/> Programmer reset switches the programmer off, and sets it back to the starting condition. Reset stops the currently active program, and activates the internal setpoint. A newly selected program becomes the active program.

8 LOGI

• Signal

Name	r/w	Adr.	Integer	real	Typ	Value/off	Description
F.Di	r/w	base	1094	34956	Int	0...7	<input type="checkbox"/> Forcing of digital inputs. Forcing involves the external operation of at least one input. The instrument takes over this input value (preset value for inputs from a superordinate system, e.g. for a function test.)
		1dP	9286				
		2dP	17478				
		3dP	25670				
							Bit 0 Forcing of digital input 1
							Bit 1 Forcing of digital input 2
							Bit 2 Forcing of digital input 3
							Bit 3 Forcing of digital input 4
							Bit 4 Forcing of digital input 5
I.Chg	r/w	base	1095	34958	Int	0...1	<input type="checkbox"/> Signal for switching the effective process value between the first process value X1 and second process value X2.
		1dP	9287				
		2dP	17479				
		3dP	25671				

9 ohnE

• ConF

Name	r/w	Adr.	Integer	real	Typ	Value/off	Description
CDis3	r/w	base	126	33020	Enum	Enum_ContrDis3	Display 3 of controller Operating Level (only visible with Engineering Tool), e.g. text only, value display or bargraph. If text only is selected, this is fixed in the display. With the other settings, entering a text causes the display to switch cyclically from one to the other.
		1dP	8318				
		2dP	16510				
		3dP	24702				
							0 No value / only a fixed text.
							1 value display
							2 Output value as a bargraph.
							3 Control deviation as a bargraph.
							4 Process value as a bargraph.
ContStdS	r/w	base	120	33008	Float	1...	<input checked="" type="checkbox"/> This address consists of 2 float data transferred always together: 1st data defines the number of operating hours after reaching InF.1 will be set. 2nd data defines the number of duty cycles after reaching InF.2 will be set.
		1dP	8312				
		2dP	16504				
		3dP	24696				

9 ohnE

• ConF

Name	r/w	Adr.	Integer	real	Typ	Value/off	Description
DigForc	r/w	base 1dP 2dP 3dP	121 8313 16505 24697	33010	Int	0...255	<input checked="" type="checkbox"/> This address consists of 2 bytes, which can only be transmitted together: 1st datum defines which inputs are to be forced. Bit 0 = analog Input 1 Bit 1 = analog Input 2 Bit 2 = analog Input 3 Bit 3 = not used Bit 4 = digital Input 1 Bit 5 = digital Input 2 Bit 6 = digital Input 3 Bit 7 = not used 2nd datum defines which outputs are to be forced. Bit 0 = Output 1 Bit 1 = Output 2 Bit 2 = Output 3 Bit 3 = Output 4 Bit 4 = Output 5 Bit 5 = Output 6
ErwBedie	r/w	base 1dP 2dP 3dP	124 8316 16508 24700	33016	Int	0...9000	<input type="checkbox"/> This address consists of 9 words. The words can only be transmitted together. The first 8 words describe the data to be displayed in the extended Operating Level. The 9th word defines the datum to be shown in the 2nd display value (instead of the setpoint). The basic address is to be entered as the value.
Lin	r/w	base 1dP 2dP 3dP	139 8331 16523 24715	33046	Float	- ...	<input checked="" type="checkbox"/> 16 float values for linearization table with 16 entries structure: input1, output1 input2, output2 ... Input values must be strictly monotonous rising. Starting from input3 a switching off value can be given.
LocBedie	r/w	base 1dP 2dP 3dP	123 8315 16507 24699	33014	Int	0...255	<input type="checkbox"/> This address consists of 2 resp. 3 bytes defining the release of operating levels. They can only be transferred together. byte 1 blocking of operating level standard device: byte 2 blocking of operating level programmer: byte 2 blocking of programmer level byte 3 blocking of operating level (content on request)
Pass	r/w	base 1dP 2dP 3dP	125 8317 16509 24701	33018	Int	0...	<input checked="" type="checkbox"/> Password. 4-digit number for the password-protected access to blocked operating functions such as e.g. the Calibrating Level.
PDis3	r/w	base 1dP 2dP 3dP	130 8322 16514 24706	33028	Int	0...5	<input type="checkbox"/> Display 3 of the programmer Operating Level. Selection from a combination of important (time) counters for displaying the program status, e.g. segment number or remaining program time.
T.dis3	r/w	base 1dP 2dP 3dP	900 9092 17284 25476	34568	Text	0...255	<input type="checkbox"/> This address contains 8 bytes for the text that is to appear in Display 3. No text: 1st byte 0x00.

9 ohnE

• ConF

Name	r/w	Adr.	Integer	real	Typ	Value/off	Description
T.Inf	r/w	base 1dP 2dP 3dP	901 9093 17285 25477	34570	Text	0...255 <input type="checkbox"/>	This address contains 16 bytes. Bytes 1 – 8: user-defined text for message Inf.1 Bytes 9 – 16: user-defined text for message Inf.2 No text: 1st byte 0x00
T.Prog	r/w	base 1dP 2dP 3dP	902 9094 17286 25478	34572	Text	0...255 <input type="checkbox"/>	This address contains 128 bytes. These data contain the user-defined texts for the programs. Bytes 1 - 8 user-defined text for program 1 Bytes 9 - 16 user-defined text for program 2 Bytes 17 - 24 user-defined text for program 3 Bytes 25 - 32 user-defined text for program 4 Bytes 33 - 40 user-defined text for program 5 Bytes 41 - 48 user-defined text for program 6 Bytes 49 - 56 user-defined text for program 7 Bytes 57 - 64 user-defined text for program 8 Bytes 65 - 72 user-defined text for program 9 Bytes 73 - 80 user-defined text for program 10 Bytes 81 - 88 user-defined text for program 11 Bytes 89 - 96 user-defined text for program 12 Bytes 97 - 104 user-defined text for program 13 Bytes 105 - 112 user-defined text for program 14 Bytes 113 - 120 user-defined text for program 15 Bytes 121 - 128 user-defined text for program 16
Tdis3	r/w	base 1dP 2dP 3dP	128 8320 16512 24704	33024	Int	2...60 <input type="checkbox"/>	Display cycle for Display 3 in seconds. If a value or a bargraph is shown in Display 3, an additional text can be selected. The text is displayed briefly after every cycle time instead of the value or bargraph.
ValuDis3	r/w	base 1dP 2dP 3dP	127 8319 16511 24703	33022	Int	0...9000 <input type="checkbox"/>	Address, which defines the display value in Display 3.
VisibelM	r/w	base 1dP 2dP 3dP	903 9095 17287 25479	34574	Int	0...255 <input checked="" type="checkbox"/>	This address consists of 55 bytes, which define the visibility mask. They can be transferred only together. The mask defines the configurations and parameter represented in the operation (contents on request).

• PArA

Name	r/w	Adr.	Integer	real	Typ	Value/off	Description
Conf	r/w	base 1dP 2dP 3dP	1 8193 16385 24577	32770	Int	0...2 <input type="checkbox"/>	Start/Stop and abortion of the configuration mode 0 = End of configuration 1 = Start of configuration 2 = Abort configuration

9 ohnE

• Signal

Name	r/w	Adr.	Integer	real	Typ	Value/off	Description
UPD	r/w	base 1dP 2dP 3dP	95 8287 16479 24671	32958	Enum	Enum_Aenderungsflag	Status message indicating that parameter / configuration have been changed via the front panel.
							0 No change via the front panel keys.
							1 A change has been made via the front panel keys, which must be processed.

Hw.Opt	r	base 1dP 2dP 3dP	200 8392 16584 24776	33168	Int	0...65535	<input checked="" type="checkbox"/>	
Sw.Op	r	base 1dP 2dP 3dP	201 8393 16585 24777	33170	Int	0...255	<input type="checkbox"/>	Software version XY Major and Minor Release (e.g. 21 = Version 2.1). The software version specifies the firmware in the unit. For the correct interaction of E-Tool and device, it must match the operating version (OpVersion) in the E-Tool.
Bed.V	r	base 1dP 2dP 3dP	202 8394 16586 24778	33172	Int	0...255	<input type="checkbox"/>	Operating version (numeric value). For the correct interaction of E-Tool and device, the software version and operating version must match.
Unit	r	base 1dP 2dP 3dP	203 8395 16587 24779	33174	Int	0...255	<input type="checkbox"/>	Identification of the device.
S.Vers	r	base 1dP 2dP 3dP	204 8396 16588 24780	33176	Int	100...255	<input type="checkbox"/>	The sub-version number is given as an additional index for precise definition of software version.
Uident	r	base 1dP 2dP 3dP	910 9102 17294 25486	34588	Text	...	<input type="checkbox"/>	Device identification. Via this Modbus address, up to 14 data units (28 bytes) can be defined. Bytes 1 - 15 order number of the device Bytes 16 - 19 Ident number 1 Bytes 20 + 21 Ident number 2 Bytes 22 - 25 OEM number Bytes 26 - 28 Software order number
IntUnitD	r	base 1dP 2dP 3dP	911 9103 17295 25487	34590	Text	...	<input type="checkbox"/>	Internal device data

9 ohnE

• Signal

Name	r/w	Adr.	Integer	real	Typ	Value/off	Description
St.Ala	r	base	250	33268	Int	0...31	<input type="checkbox"/> Alarm status: Bit-wise coded status of the individual alarms, e.g. exceeded limit value or Loop.
		1dP	8442				
		2dP	16634				
		3dP	24826				

Bit 0 Existing/stored exceeded limit 1
 Bit 1 Existing/stored exceeded limit 2
 Bit 2 Existing/stored exceeded limit 3
 Bit 3 Not used
 Bit 4 Existing/stored loop alarm
 Bit 5 Existing/stored heating current alarm
 Bit 6 Existing/stored SSR alarm
 Bit 7 Not used
 Bit 8 Existing exceeded limit 1
 Bit 9 Existing exceeded limit 2
 Bit 10 Existing exceeded limit 3
 Bit 11 Not used
 Bit 12 Existing loop alarm
 Bit 13 Existing heating current alarm
 Bit 14 Existing SSR alarm
 Bit 15 Not used

St.Do	r	base	251	33270	Int	0...31	<input type="checkbox"/> Status of the digital outputs Bit 0 digital output 1 Bit 1 digital output 2 Bit 2 digital output 3 Bit 3 digital output 4 Bit 4 digital output 5 Bit 5 digital output 6
		1dP	8443				
		2dP	16635				
		3dP	24827				

St.Ain	r	base	252	33272	Int	0...7	<input type="checkbox"/> Bit-coded status of the analog input (fault, e.g. short circuit)
		1dP	8444				
		2dP	16636				
		3dP	24828				

Bit 0 Break at Input 1
 Bit 1 Reversed polarity at Input 1
 Bit 2 Short circuit at Input 1
 Bit 3 Not used
 Bit 4 Break at Input 2
 Bit 5 Reversed polarity at Input 2
 Bit 6 Short-circuit at Input 2
 Bit 7 Not used
 Bit 8 Break at Input 3 (only KS 90)
 Bit 9 Reversed polarity at Input 3 (only KS 90)
 Bit 10 Short-circuit at Input 3 (only KS 90)
 Bit 11 Not used

9 ohnE

• Signal

Name	r/w	Adr.	Integer	real	Typ	Value/off	Description
St.Di	r	base	253	33274	Int	0...7	<input type="checkbox"/> Status of the digital inputs or of push-buttons (binary coded).
		1dP	8445				
		2dP	16637				
		3dP	24829				
							Bit 0 Input 1 Bit 1 Input 2 Bit 2 Input 3 Bit 8 Status of 'F' key Bit 9 Status of 'A/M' key Bit 10 Status of 'Sel' key Bit 11 Status of 'Down' key Bit 12 Status of 'Up' key Bit 13 Status of 'Loc' key
F.Di	r/w	base	303	33374	Int	0...1	<input type="checkbox"/> Forcing of digital inputs. Forcing involves the external operation of at least one input. The instrument takes over this input value (preset value for inputs from a superordinate system, e.g. for a function test.)
		1dP	8495				
		2dP	16687				
		3dP	24879				
							Bit 0 Forcing of digital input 1 Bit 1 Forcing of digital input 2 Bit 2 Forcing of digital input 3 Bit 3 Forcing of digital input 4 Bit 4 Forcing of digital input 5
F.Do	r/w	base	304	33376	Int	0...15	<input type="checkbox"/> Forcing of digital outputs. Forcing involves the external operation of at least one output. The instrument has no influence on this output (use of free outputs by superordinate system).
		1dP	8496				
		2dP	16688				
		3dP	24880				

10 ohnE1

• Signal

Name	r/w	Adr.	Integer	real	Typ	Value/off	Description
In.1	r	base	232	33232	Float	-1 ...	<input type="checkbox"/> Measurement value after the measurement value correction (e.g. with offset or 2-point correction, and scaling).
		1dP	8424				
		2dP	16616				
		3dP	24808				
In.1r	r	base	240	33248	Float	-1 ...	<input type="checkbox"/> Measurement value before the measurement value correction (unprocessed).
		1dP	8432				
		2dP	16624				
		3dP	24816				
F.Inp	r/w	base	300	33368	Float	-1 ...	<input type="checkbox"/> Forcing the value for an analog input INP. Forcing involves the external operation of an input. The instrument takes over the value at this input like a measurement value (preset value for inputs from a superordinate system, e.g. for a function test.)
		1dP	8492				
		2dP	16684				
		3dP	24876				

11 ohnE2

• Signal

Name	r/w	Adr.	Integer	real	Typ	Value/off	Description
In.2	r	base 1dP 2dP 3dP	233 8425 16617 24809	33234	Float	-1 ... <input type="checkbox"/>	Measurement value after the measurement value correction (e.g. with offset or 2-point correction, and scaling).
In.2r	r	base 1dP 2dP 3dP	241 8433 16625 24817	33250	Float	-1 ... <input type="checkbox"/>	Measurement value before the measurement value correction (unprocessed).
F.Inp	r/w	base 1dP 2dP 3dP	301 8493 16685 24877	33370	Float	-1 ... <input type="checkbox"/>	Forcing the value for an analog input INP. Forcing involves the external operation of an input. The instrument takes over the value at this input like a measurement value (preset value for inputs from a superordinate system, e.g. for a function test.)

12 ohnE3

• Signal

Name	r/w	Adr.	Integer	real	Typ	Value/off	Description
In.3	r	base 1dP 2dP 3dP	234 8426 16618 24810	33236	Float	-1 ... <input type="checkbox"/>	Measurement value after the measurement value correction (e.g. with offset or 2-point correction, and scaling).
In.3r	r	base 1dP 2dP 3dP	242 8434 16626 24818	33252	Float	-1 ... <input type="checkbox"/>	Measurement value before the measurement value correction (unprocessed).
F.Inp	r/w	base 1dP 2dP 3dP	302 8494 16686 24878	33372	Float	-1 ... <input type="checkbox"/>	Forcing the value for an analog input INP. Forcing involves the external operation of an input. The instrument takes over the value at this input like a measurement value (preset value for inputs from a superordinate system, e.g. for a function test.)
F.Out1	r/w	base 1dP 2dP 3dP	305 8497 16689 24881	33378	Float	0...120 <input type="checkbox"/>	Forcing value of the analog output. Forcing involves the external operation of an output, i.e. the instrument has no influence on this output. (Used for the operation of free outputs e.g. by a supervisory PLC.)

13 ohnE4

• Signal

Name	r/w	Adr.	Integer	real	Typ	Value/off	Description
F.Out2	r/w	base 1dP 2dP 3dP	306 8498 16690 24882	33380	Float	0...120 <input type="checkbox"/>	Forcing value of the analog output. Forcing involves the external operation of an output, i.e. the instrument has no influence on this output. (Used for the operation of free outputs e.g. by a supervisory PLC.)

14 othr

• ConF

Name	r/w	Adr.	Integer	real	Typ	Value/off	Description
bAud	r/w	base	180	33128	Enum	Enum_Baud	Bit rate of the interface (only visible with OPTION). The bit rate determines the transmission speed.
		1dP	8372				
		2dP	16564				
		3dP	24756				
						0	2400 Baud
						1	4800 Baud
						2	9600 Baud
						3	19200 Baud
Addr	r/w	base	181	33130	Int	1...247	<input type="checkbox"/> Address on the interface (only visible with OPTION)
		1dP	8373				
		2dP	16565				
		3dP	24757				
PrtY	r/w	base	182	33132	Enum	Enum_Parity	Parity of data on the interface (only visible with OPTION). Simple possibility of checking that transferred data is correct.
		1dP	8374				
		2dP	16566				
		3dP	24758				
						0	No parity, with 2 stop bits.
						1	even parity
						2	odd parity
						3	no parity (1 stop bit)
dELY	r/w	base	183	33134	Int	0...200	<input type="checkbox"/> Response delay [ms] (only visible with OPTION). Additional delay time before the received message may be answered on the Modbus. (Might be necessary, if the same line is used for transmit/receive.)
		1dP	8375				
		2dP	16567				
		3dP	24759				
dp.Ad	r/w	base	195	33158	Int	0...126	<input type="checkbox"/> Address of the device on the PROFIBUS. The address identifies the device clearly.
		1dP	8387				
		2dP	16579				
		3dP	24771				
bc.uP	r/w	base	196	33160	Enum	Enum_BackupControl	behaviour as backup controller. The control function is done by the master. The instrument provides the display, reads the measured values and outputs the correcting variable. If bus communication (or the master) fails, the controller changes to normal operation.
		1dP	8388				
		2dP	16580				
		3dP	24772				
						0	The backup function is not active.
						1	With backup function. Operates in the positioner mode as long as bus communication is functional. If bus communication (or the master) fails, the controller changes to normal operation.
Unit	r/w	base	170	33108	Enum	Enum_Unit	Physical unit (temperature), f.e. °C
		1dP	8362				
		2dP	16554				
		3dP	24746				
						0	without unit
						1	°C
						2	°F

14 othr

• ConF

Name	r/w	Adr.	Integer	real	Typ	Value/off	Description
dP	r/w	base	171	33110	Enum	Enum_dP	Decimal point (max. no of decimals). Format of the measured value display.
		1dP	8363				
		2dP	16555				
		3dP	24747				
						0	no digit behind the decimal point
						1	Display has one decimal.
						2	Display has two decimals.
						3	Display has three decimals.

Name	r/w	Adr.	Integer	real	Typ	Value/off	Description
LEd	r/w	base	190	33148	Enum	Enum_Led	Meaning of the signalling LEDs. Selection of a combination of the displayable signals.
		1dP	8382				
		2dP	16574				
		3dP	24766				
						10	The digital outputs OUT1, OUT2, OUT3, and OUT4 are displayed.
						11	Display of controller output y1 (heating / open), alarm1, alarm2, alarm3
						12	Display of controller output y1 (heating / open), controller output y2 (cooling / close), alarm1, alarm2
						13	Display of controller output y2 (cooling / close), controller output y1 (heating / open), alarm1, alarm2
						20	Display of controller output y1 (heating / open), controller output y2 (cooling / close), and the programmer outputs Track, Track2.
						21	Display of controller output y2 (cooling / close), controller output y1 (heating / open), and the programmer outputs Track1, Track2.
						22	Display of the programmer outputs Track1, Track2, Track3, and Track4.

dISP	r/w	base	172	33112	Int	0...10	<input type="checkbox"/>	Brightness of the display.
		1dP	8364					
		2dP	16556					
		3dP	24748					
C.dEL	r/w	base	184	33136	Int	0...200	<input type="checkbox"/>	For both interfaces, Modbus only. Additional acceptable delay time between 2 received bytes, before "end of message" is assumed. This time is needed if data is not transmitted continuously by the modem.
		1dP	8376					
		2dP	16568					
		3dP	24760					
FrEq	r/w	base	150	33068	Enum	Enum_FrEq		Switchover of the applied mains frequency 50 / 60 Hz, thereby better adaptation of the input filter for hum suppression.
		1dP	8342					
		2dP	16534					
		3dP	24726					
						0		Mains frequency is 50 Hz.
						1		Mains frequency is 60 Hz.

MASt	r/w	base	185	33138	Enum	Enum_MASt		Device works as Modbus master. The communication is executed according to the master/slave principle, whereby the device can be operated as master or as slave. Operation as master must be configured here.
		1dP	8377					
		2dP	16569					
		3dP	24761					
						0		No, the unit is operated as a Modbus slave.
						1		Yes, the unit is operated as a Modbus master.

14 othr

• ConF

Name	r/w	Adr. Integer	real	Typ	Value/off	Description	
Cycl	r/w	base 1dP 2dP 3dP	186 8378 16570 24762	33140	Int	0...200 <input type="checkbox"/>	Cycle time (in seconds) during which the Modbus master transmits its message on the bus.
AdrO	r/w	base 1dP 2dP 3dP	187 8379 16571 24763	33142	Int	1...65535 <input type="checkbox"/>	Target address to which the data specified with AdrU are output on the bus.
AdrU	r/w	base 1dP 2dP 3dP	188 8380 16572 24764	33144	Int	1...65535 <input type="checkbox"/>	Modbus address of the data output on the bus by the Modbus master.
Numb	r/w	base 1dP 2dP 3dP	189 8381 16573 24765	33146	Int	0...100 <input type="checkbox"/>	Quantity of data that are to be transmitted from the Modbus master.
dp.ra	r/w	base 1dP 2dP 3dP	197 8389 16581 24773	33162	Int	0...91 1 <input type="checkbox"/>	Addresses of the data that are to be read out of the device via the PROFIBUS (57 values).
dp.wr	r/w	base 1dP 2dP 3dP	198 8390 16582 24774	33164	Int	0...91 1 <input type="checkbox"/>	Addresses of the data that are to be written into the device via the PROFIBUS (57 values).

• Signal

Name	r/w	Adr. Integer	real	Typ	Value/off	Description	
E.1	r/w	base 1dP 2dP 3dP	210 8402 16594 24786	33188	Enum	Defect	Err 1 (internal error) Contact Service.
						0	No fault exists (Reset).
						2	The device is defective.
E.2	r/w	base 1dP 2dP 3dP	211 8403 16595 24787	33190	Enum	Problem	Err 2 (internal error, resettable) (As a process value via fieldbus interface not writable!)
						0	No fault, resetting possible (Reset).
						1	A fault has occurred and has been stored.

14 othr

• Signal

Name	r/w	Adr.	Integer	real	Typ	Value/off	Description
FbF.1	r/w	base	212	33192	Enum	Break	Sensor break at input INP1. Typical causes and suggested remedies: Sensor fault: replace INP1 sensor. Wiring fault: check connections of INP1. (As a process value via fieldbus interface not writable!)
		1dP	8404				
		2dP	16596				
		3dP	24788				
0	No fault,		resetting of the sensor break alarm possible (Reset).				
1	The sensor fault alarm has been triggered and stored; the fault is no longer present. The operator must acknowledge the error message in order to delete it from the error list.						
2	Sensor break: The sensor is defective or there is a wiring fault.						
Sht.1	r/w	base	213	33194	Enum	Short	Short circuit at input INP1. Typical causes and suggested remedies: Sensor fault: replace INP1 sensor. Wiring fault: check connections of INP1. (As a process value via fieldbus interface not writable!)
		1dP	8405				
		2dP	16597				
		3dP	24789				
0	No fault,		resetting of the short-circuit alarm possible (Reset).				
1	A short-circuit fault has occurred and has been stored.						
2	A short-circuit fault has occurred.						
POL.1	r/w	base	214	33196	Enum	Polarity	Incorrect polarity at input INP1. Suggested remedy: reverse the polarity at INP1. (As a process value via fieldbus interface not writable!)
		1dP	8406				
		2dP	16598				
		3dP	24790				
0	No fault,		resetting of the incorrect polarity alarm possible (Reset).				
1	An incorrect polarity fault has occurred and has been stored.						
2	Incorrect polarity. The wiring of the input circuit is not correct.						
FbF.2	r/w	base	215	33198	Enum	Break	Sensor break at input INP2. Typical causes and suggested remedies: Sensor fault: replace INP2 sensor. Wiring fault: check connections of INP2. (As a process value via fieldbus interface not writable!)
		1dP	8407				
		2dP	16599				
		3dP	24791				
0	No fault,		resetting of the sensor break alarm possible (Reset).				
1	The sensor fault alarm has been triggered and stored; the fault is no longer present. The operator must acknowledge the error message in order to delete it from the error list.						
2	Sensor break: The sensor is defective or there is a wiring fault.						
Sht.2	r/w	base	216	33200	Enum	Short	Short circuit at input INP2. Typical causes and suggested remedies: Sensor fault: replace INP2 sensor. Wiring fault: check connections of INP2. (As a process value via fieldbus interface not writable!)
		1dP	8408				
		2dP	16600				
		3dP	24792				
0	No fault,		resetting of the short-circuit alarm possible (Reset).				
1	A short-circuit fault has occurred and has been stored.						
2	A short-circuit fault has occurred.						
POL.2	r/w	base	217	33202	Enum	Polarity	Incorrect polarity at input INP2. Suggested remedy: reverse the polarity at INP2. (As a process value via fieldbus interface not writable!)
		1dP	8409				
		2dP	16601				
		3dP	24793				
0	No fault,		resetting of the incorrect polarity alarm possible (Reset).				
1	An incorrect polarity fault has occurred and has been stored.						
2	Incorrect polarity. The wiring of the input circuit is not correct.						

14 othr

• Signal

Name	r/w	Adr.	Integer	real	Typ	Value/off	Description
HCA	r/w	base	218	33204	Enum	HeatCurr	Heating current alarm. Possible faults are an open heating current circuit with current $I <$ heating current limit, or current $I >$ heating current limit (depending on configuration), or defective heater band. Suggested remedy: check heating current circuit, replace heater band if necessary. (As a process value via fieldbus interface not writable!)
		1dP	8410				
		2dP	16602				
		3dP	24794				
						0	No fault, resetting of the heating current alarm possible (Reset).
						1	A heating current fault has occurred and has been stored.
SSr	r/w	base	219	33206	Enum	Short	Alarm message: SSr Possible causes: a current flow in the heating circuit although controller is 'off', or the SSR is defective. Suggested remedy: check heating current circuit, replace the solid-state relay, if necessary. (As a process value via fieldbus interface not writable!)
		1dP	8411				
		2dP	16603				
		3dP	24795				
						0	No fault, resetting of the short-circuit alarm possible (Reset).
						1	A short-circuit fault has occurred and has been stored.
						2	A short-circuit fault has occurred.
Loop	r/w	base	220	33208	Enum	LoopAlarm	Alarm message: Loop Possible causes: faulty or incorrectly connected input circuit, or output not connected correctly. Suggested remedy: check heating or cooling circuit, check sensor function and replace if necessary, check controller and output switching actuator. (As a process value via fieldbus interface not writable!)
		1dP	8412				
		2dP	16604				
		3dP	24796				
						0	No fault, resetting of the loop alarm possible (Reset).
						1	A control loop fault has occurred and has been stored.
						2	A control loop fault has occurred, there was no clear process response following a step change of the output.
AdA.H	r/w	base	221	33210	Enum	Tune	Error message from "heating" self-tuning and reason for aborted tuning attempt. Hints for trouble-shooting: Check operating sense of actuator. Is the loop closed? Is there an output limit? Adapt the setpoint. Increase step output for Yopt. (As a process value via fieldbus interface not writable!)
		1dP	8413				
		2dP	16605				
		3dP	24797				
						0	no error
						3	Process responds in the wrong direction. Possible remedy: Check the output signal sense (inverse <-> direct), and re-configure the controller if necessary (inverse <-> direct).
						4	No response from the process. Perhaps the control loop is open. Possible remedy: Check sensor, connections, and process.
						5	The process value turning point of the step response is too low. Possible remedy: Increase the permitted step output range, i.e. increase the parameter Y.Hi ('heating') or reduce the parameter Y.Lo ('cooling').
						6	Self-tuning was aborted due to the risk of an exceeded setpoint. Possible remedy: Repeat the attempt with an increased setpoint reserve.
						7	The step output change is not large enough (minimum change $> 5\%$). Possible remedy: Increase the permitted step output range, i.e. increase the parameter Y.Hi ('heating') or reduce the parameter Y.Lo ('cooling').
						8	Setpoint reserve must be given before generating the step output change. Possible remedy: decrease set-point range, change set-point, or change process value.
						9	The pulse response attempt has failed. No useful parameters were determined. Perhaps the control loop is open. Possible remedy: Check sensor, connections, and process.

14 othr

• Signal

Name	r/w	Adr.	Integer	real	Typ	Value/off	Description
AdA.C	r/w	base	222	33212	Enum	Tune	Error message from "cooling" self-tuning and reason for aborted tuning attempt. Hints for trouble-shooting: Check operating sense of actuator. Is the loop closed? Is there an output limit? Adapt the setpoint. Increase step output for Yopt. (As a process value via fieldbus interface not writable!)
		1dP	8414				
		2dP	16606				
		3dP	24798				

0	no error
3	Process responds in the wrong direction. Possible remedy: Check the output signal sense (inverse <-> direct), and re-configure the controller if necessary (inverse <-> direct).
4	No response from the process. Perhaps the control loop is open. Possible remedy: Check sensor, connections, and process.
5	The process value turning point of the step response is too low. Possible remedy: Increase the permitted step output range, i.e. increase the parameter Y.Hi ('heating') or reduce the parameter Y.Lo ('cooling').
6	Self-tuning was aborted due to the risk of an exceeded setpoint. Possible remedy: Repeat the attempt with an increased setpoint reserve.
7	The step output change is not large enough (minimum change > 5 %). Possible remedy: Increase the permitted step output range, i.e. increase the parameter Y.Hi ('heating') or reduce the parameter Y.Lo ('cooling').
8	Setpoint reserve must be given before generating the step output change. Possible remedy: decrease set-point range, change set-point, or change process value.
9	The pulse response attempt has failed. No useful parameters were determined. Perhaps the control loop is open. Possible remedy: Check sensor, connections, and process.

Lim.1	r/w	base	223	33214	Enum	Limit	Limit value 1 exceeded. Hint for trouble-shooting: check the process. (As a process value via fieldbus interface not writable!)
		1dP	8415				
		2dP	16607				
		3dP	24799				

0	No fault, resetting of the limit value alarm possible (Reset).
1	The limit value has been exceeded, and the fault has been stored.
2	The limit value has been exceeded; the monitored (measurement) value is outside the set limits.

Lim.2	r/w	base	224	33216	Enum	Limit	Limit value 2 exceeded. Hint for trouble-shooting: check the process. (As a process value via fieldbus interface not writable!)
		1dP	8416				
		2dP	16608				
		3dP	24800				

0	No fault, resetting of the limit value alarm possible (Reset).
1	The limit value has been exceeded, and the fault has been stored.
2	The limit value has been exceeded; the monitored (measurement) value is outside the set limits.

Lim.3	r/w	base	225	33218	Enum	Limit	Limit value 3 exceeded. Hint for trouble-shooting: check the process. (As a process value via fieldbus interface not writable!)
		1dP	8417				
		2dP	16609				
		3dP	24801				

0	No fault, resetting of the limit value alarm possible (Reset).
1	The limit value has been exceeded, and the fault has been stored.
2	The limit value has been exceeded; the monitored (measurement) value is outside the set limits.

14 othr

• Signal

Name	r/w	Adr.	Integer	real	Typ	Value/off	Description
InF.1	r/w	base	226	33220	Enum	Time	Message from the operating hours counter that the preset no. of hours for this maintenance period has been reached. The op-hours counter for the maintenance period is reset when this message is acknowledged. Counting the operating hours is used for preventive maintenance. - Acknowledge the error to reset it. (As a process value via fieldbus interface not writable!)
		1dP	8418				
		2dP	16610				
		3dP	24802				
						0	No signal, resetting of the time limit signal possible (Reset).
						1	Operating hours - limit value (maintenance period) reached: please acknowledge.
InF.2	r/w	base	227	33222	Enum	Switch	Message from the switching cycle counter that the preset no. of switch cycles for this maintenance period has been reached. The cycle counter for the maintenance period is reset when this message is acknowledged. Counting the switching cycles is used for preventive maintenance. - Acknowledge the error to reset it. (As a process value via fieldbus interface not writable!)
		1dP	8419				
		2dP	16611				
		3dP	24803				
						0	No error message, resetting of the switching cycle counter possible (Reset).
						1	Set limit of the switching cycle counter (maintenance period) has been reached: please acknowledge.
E.4	r/w	base	228	33224	Enum	Problem	Hardware fault.Cause: Code number and hardware are not identical. Remedy: Contact Service. (As a process value via fieldbus interface not writable!)
		1dP	8420				
		2dP	16612				
		3dP	24804				
						0	No fault, resetting possible (Reset).
						1	A fault has occurred and has been stored.
FbF.3	r/w	base	400	33568	Enum	Break3	Sensor break at input INP3. Typical causes and suggested remedies: Sensor fault: replace INP3 sensor. Wiring fault: check connections of INP3. (As a process value via fieldbus interface not writable!)
		1dP	8592				
		2dP	16784				
		3dP	24976				
						0	No fault, resetting of the sensor break alarm possible (Reset).
						1	The sensor fault alarm has been triggered and stored; the fault is no longer present. The operator must acknowledge the error message in order to delete it from the error list.
						2	Sensor break: The sensor is defective or there is a wiring fault.
Sht.3	r/w	base	401	33570	Enum	Short3	Short circuit at input INP3. Typical causes and suggested remedies: Sensor fault: replace INP3 sensor. Wiring fault: check connections of INP3. (As a process value via fieldbus interface not writable!)
		1dP	8593				
		2dP	16785				
		3dP	24977				
						0	No fault, resetting of the short-circuit alarm possible (Reset).
						1	A short-circuit fault has occurred and has been stored.
						2	A short-circuit fault has occurred.
POL.3	r/w	base	402	33572	Enum	Polarity3	Incorrect polarity at input INP3. Suggested remedy: reverse the polarity at INP3. (As a process value via fieldbus interface not writable!)
		1dP	8594				
		2dP	16786				
		3dP	24978				
						0	No fault, resetting of the incorrect polarity alarm possible (Reset).
						1	An incorrect polarity fault has occurred and has been stored.
						2	Incorrect polarity. The wiring of the input circuit is not correct.

14 othr

• Signal

Name	r/w	Adr.	Integer	real	Typ	Value/off	Description
E.3	r/w	base	403	33574	Enum	ConfErr	configuration fault. Typical causes and suggested remedies: Missing or faulty configuration: check interactions in the configuration and parameter settings. (As a process value via fieldbus interface not writable!)
		1dP	8595				
		2dP	16787				
		3dP	24979				
						0	No configuration error
						2	There is a configuration error. The configuration is missing or wrong, or it does not match the parameter settings.
dAc	r/w	base	404	33576	Enum	Enum_DacAlarm	DAC alarm, possibly with cause. On all controllers with position feedback Yp, the actuator can be monitored for incorrect operation, e.g. defective motor or excessive play due to wear. In all cases, the controller changes into manual operation and switches the outputs off. (As a process value via fieldbus interface not writable!)
		1dP	8596				
		2dP	16788				
		3dP	24980				
						0	no error
						3	Output is blocked - check the drive for blockage After solving the technical problem the DAC error can be acknowledged in the error list. Thereafter the controller works again in normal operation mode.
						4	Wrong method of operation - rong phasing, defect motor capacitor After solving the technical problem the DAC error can be acknowledged in the error list. Thereafter the controller works again in normal operation mode.
						5	Fail at Yp measurement - check the connection to the Yp input After solving the technical problem the DAC error can be acknowledged in the error list. Thereafter the controller works again in normal operation mode.
						6	Calibration error - manual calibration necessary After solving the technical problem the DAC error can be acknowledged in the error list. Thereafter the controller works again in normal operation mode.
E.5	r/w	base	410	33588	Enum	E5	PROFIBUS fault. Problem (1): The fault occurrence has been stored. The fault is no longer present, but has not yet been acknowledged. Defect (2): The PROFIBUS communication is faulty. Please contact Service. (As a process value via fieldbus interface not writable!)
		1dP	8602				
		2dP	16794				
		3dP	24986				
						0	No fault, resetting possible (Reset).
						1	A Profibus error has occurred and has been stored.
						2	Please contact Service.
dP.1	r/w	base	411	33590	Enum	Problem_dp	PROFIBUS access fault. Possible causes: bus fault, connector problem or no connection to bus. Possible remedies: Check bus cable, check connector & leads. (As a process value via fieldbus interface not writable!)
		1dP	8603				
		2dP	16795				
		3dP	24987				
						0	No fault, resetting possible (Reset).
						2	A Profibus fault has occurred, there is no communication.
dP.2	r/w	base	412	33592	Enum	Problem_dp	PROFIBUS configuration fault. Possible cause: incorrectly configured DP telegram. Suggested remedy: check DP telegram configuration in the master. (As a process value via fieldbus interface not writable!)
		1dP	8604				
		2dP	16796				
		3dP	24988				
						0	No fault, resetting possible (Reset).
						2	A Profibus fault has occurred, there is no communication.

14 othr

• Signal

Name	r/w	Adr.	Integer	real	Typ	Value/off	Description
dP.3	r/w	base	413	33594	Enum	Problem_dp	PROFIBUS parameter fault. Possible cause: incorrect parameters in DP telegram. Suggested remedy: check DP telegram parameters in the master (As a process value via fieldbus interface not writable!)
		1dP	8605				
		2dP	16797				
		3dP	24989				
						0	No fault, resetting possible (Reset).
						2	A Profibus fault has occurred, there is no communication.
dP.4	r/w	base	414	33596	Enum	Problem_dp	PROFIBUS data exchange fault. No exchange of user data. Possible causes: bus fault, address fault, master stopped. Suggested remedy: check cable connections, check address, check master setting. (As a process value via fieldbus interface not writable!)
		1dP	8606				
		2dP	16798				
		3dP	24990				
						0	No fault, resetting possible (Reset).
						2	A Profibus fault has occurred, there is no communication.

15 Out.1

• ConF

Name	r/w	Adr.	Integer	real	Typ	Value/off	Description
O.Act	r/w	base	4150	41068	Enum	Enum_OAct	Operating sense of the switching output. Direct: Active function (e.g. limit value) switches the output ON; Inverse: Active function (e.g. limit value) switches the output OFF.
		1dP	12342				
		2dP	20534				
		3dP	28726				
						0	direct / normally open
						1	inverse / normally closed
Y.1	r/w	base	4151	41070	Enum	Enum_Y1	Output function: Controller output Y1
		1dP	12343				
		2dP	20535				
		3dP	28727				
						0	not active
						1	This output provides the controller output Y1.
Y.2	r/w	base	4152	41072	Enum	Enum_Y2	Output function: Controller output Y2. Caution: Do not confuse the controller output Y2 with the parameter 'Fixed output Y2' !
		1dP	12344				
		2dP	20536				
		3dP	28728				
						0	not active
						1	This output provides the controller output Y2.
Lim.1	r/w	base	4153	41074	Enum	Enum_Lim1	Output function: Signal limit 1
		1dP	12345				
		2dP	20537				
		3dP	28729				
						0	not active
						1	The output is activated by an alarm from limit value 1.

15 Out. 1

• ConF

Name	r/w	Adr.	Integer	real	Typ	Value/off	Description
Lim.2	r/w	base	4154	41076	Enum	Enum_Lim2	Output function: Signal limit 2
		1dP	12346				
		2dP	20538				
		3dP	28730				
						0	not active
						1	The output is activated by an alarm from limit value 2.
Lim.3	r/w	base	4155	41078	Enum	Enum_Lim3	Output function: Signal limit 3
		1dP	12347				
		2dP	20539				
		3dP	28731				
						0	not active
						1	The output is activated by an alarm from limit value 3.
LP.AL	r/w	base	4157	41082	Enum	Enum_OUT_LPAL	Output function: Signal Interruption alarm (LOOP) The overall control loop is monitored and the process value has to change with an output signal of maximum value, else loop alarm is generated.
		1dP	12349				
		2dP	20541				
		3dP	28733				
						0	not active
						1	The loop alarm (= open loop alarm) is assigned to this output.
HC.AL	r/w	base	4158	41084	Enum	Enum_OUT_HCAL	Output function: Signal Heat current alarm. Either break (= current I < heating current limit) can be monitored or overload (= current I > heating current limit), dependent on configuration.
		1dP	12350				
		2dP	20542				
		3dP	28734				
						0	not active
						1	The heating current alarm is assigned to this output.
HC.SC	r/w	base	4159	41086	Enum	Enum_HCSC	Output function: Signal Solid-state relay (SSR) short circuit. The short circuit alarm of the SSR is triggered, if a current is detected in the heating circuit, although the controller output is switched off.
		1dP	12351				
		2dP	20543				
		3dP	28735				
						0	not active
						1	Output activated by an SSR fault.
P.End	r/w	base	4161	41090	Enum	Enum_PEnd	Output function: Signal Program end. This message is available when the program has been completed (only when configured as a program controller).
		1dP	12353				
		2dP	20545				
		3dP	28737				
						0	not active
						1	This output is activated by the message 'Program end'.
FAi.1	r/w	base	4162	41092	Enum	Enum_FAI1	Output function: Signal INP1 fault. The fail signal is generated, if a fault occurs at the analog Input INP1.
		1dP	12354				
		2dP	20546				
		3dP	28738				
						0	not active
						1	The output sends the error message 'INP1 fault'.

15 Out. 1

• ConF

Name	r/w	Adr.	Integer	real	Typ	Value/off	Description
FAi.2	r/w	base	4163	41094	Enum	Enum_FAi2	Output function: Signal INP2 fault. The fail signal is generated, if a fault occurs at the analog Input INP2.
		1dP	12355				
		2dP	20547				
		3dP	28739				
0 not active							
1 The output sends the error message 'INP2 fault'.							
FAi.3	r/w	base	4164	41096	Enum	Enum_FAi3	Output function: Signal INP3 fault. The fail signal is generated, if a fault occurs at the analog Input INP3.
		1dP	12356				
		2dP	20548				
		3dP	28740				
0 not active							
1 The output sends the error message 'INP3 fault'.							
PrG.1	r/w	base	4165	41098	Enum	Enum_PrG1	Output function: Signal programmer's control output no. 1. A control output is one of the four digital signals that can be operated segment-wise by a program.
		1dP	12357				
		2dP	20549				
		3dP	28741				
0 not active							
1 Control output 1 is assigned to this output.							
PrG.2	r/w	base	4166	41100	Enum	Enum_PrG2	Output function: Signal programmer's control output no. 2. A control output is one of the four digital signals that can be operated segment-wise by a program.
		1dP	12358				
		2dP	20550				
		3dP	28742				
0 not active							
1 Control output 2 is assigned to this output.							
PrG.3	r/w	base	4167	41102	Enum	Enum_PrG3	Output function: Signal programmer's control output no. 3. T A control output is one of the four digital signals that can be operated segment-wise by a program.
		1dP	12359				
		2dP	20551				
		3dP	28743				
0 not active							
1 Control output 3 is assigned to this output.							
PrG.4	r/w	base	4168	41104	Enum	Enum_PrG4	Output function: Signal programmer's control output no. 4. A control output is one of the four digital signals that can be operated segment-wise by a program.
		1dP	12360				
		2dP	20552				
		3dP	28744				
0 not active							
1 Control output 4 is assigned to this output.							
CALL	r/w	base	4169	41106	Enum	Enum_CALL	Output: Operator call. At the end of a program segment, a contact is set, e.g. for an acoustic signal. This indicates to the operator that a certain program status has been reached, and operator action is required. Operator calling is used, if the program may only be continued after a check or some kind of operator action.
		1dP	12361				
		2dP	20553				
		3dP	28745				
0 not active							
1 The output is switched by an operator call.							

15 Out.1

• ConF

Name	r/w	Adr.	Integer	real	Typ	Value/off	Description
dP.Er	r/w	base	4175	41118	Enum	Enum_DP_ERR	Output function: Signal Fault in the Profibus communication. This output is set when a fault in the Profibus communication occurs. There is no more communication with this device.
		1dP	12367				
		2dP	20559				
		3dP	28751				
						0	Not active
						1	This output sends the Profibus fault.

• Signal

Name	r/w	Adr.	Integer	real	Typ	Value/off	Description
Out1	r	base	4180	41128	Enum	Enum_Ausgang	Status of the digital output
		1dP	12372				
		2dP	20564				
		3dP	28756				
						0	off
						1	on

F.Do1	r/w	base	4181	41130	Enum	Enum_Ausgang	Forcing of this digital output. Forcing involves the external operation of an output. The instrument has no influence on this output (use of free outputs by superordinate system).
		1dP	12373				
		2dP	20565				
		3dP	28757				
						0	off
						1	on

16 Out.2

• ConF

Name	r/w	Adr.	Integer	real	Typ	Value/off	Description
O.Act	r/w	base	4250	41268	Enum	Enum_OAct	Operating sense of the switching output. Direct: Active function (e.g. limit value) switches the output ON; Inverse: Active function (e.g. limit value) switches the output OFF.
		1dP	12442				
		2dP	20634				
		3dP	28826				
						0	direct / normally open
						1	inverse / normally closed

Y.1	r/w	base	4251	41270	Enum	Enum_Y1	Output function: Controller output Y1
		1dP	12443				
		2dP	20635				
		3dP	28827				
						0	not active
						1	This output provides the controller output Y1.

16 Out.2

• ConF

Name	r/w	Adr.	Integer	real	Typ	Value/off	Description
Y.2	r/w	base	4252	41272	Enum	Enum_Y2	Output function: Controller output Y2. Caution: Do not confuse the controller output Y2 with the parameter 'Fixed output Y2' !
		1dP	12444				
		2dP	20636				
		3dP	28828				
0							not active
1							This output provides the controller output Y2.
Lim.1	r/w	base	4253	41274	Enum	Enum_Lim1	Output function: Signal limit 1
		1dP	12445				
		2dP	20637				
		3dP	28829				
0							not active
1							The output is activated by an alarm from limit value 1.
Lim.2	r/w	base	4254	41276	Enum	Enum_Lim2	Output function: Signal limit 2
		1dP	12446				
		2dP	20638				
		3dP	28830				
0							not active
1							The output is activated by an alarm from limit value 2.
Lim.3	r/w	base	4255	41278	Enum	Enum_Lim3	Output function: Signal limit 3
		1dP	12447				
		2dP	20639				
		3dP	28831				
0							not active
1							The output is activated by an alarm from limit value 3.
LP.AL	r/w	base	4257	41282	Enum	Enum_OUT_LPAL	Output function: Signal Interruption alarm (LOOP) The overall control loop is monitored and the process value has to change with an output signal of maximum value, else loop alarm is generated.
		1dP	12449				
		2dP	20641				
		3dP	28833				
0							not active
1							The loop alarm (= open loop alarm) is assigned to this output.
HC.AL	r/w	base	4258	41284	Enum	Enum_OUT_HCAL	Output function: Signal Heat current alarm. Either break (= current I < heating current limit) can be monitored or overload (= current I > heating current limit), dependent on configuration.
		1dP	12450				
		2dP	20642				
		3dP	28834				
0							not active
1							The heating current alarm is assigned to this output.
HC.SC	r/w	base	4259	41286	Enum	Enum_HCSC	Output function: Signal Solid-state relay (SSR) short circuit. The short circuit alarm of the SSR is triggered, if a current is detected in the heating circuit, although the controller output is switched off.
		1dP	12451				
		2dP	20643				
		3dP	28835				
0							not active
1							Output activated by an SSR fault.

16 Out.2

• ConF

Name	r/w	Adr.	Integer	real	Typ	Value/off	Description
P.End	r/w	base	4261	41290	Enum	Enum_PEnd	Output function: Signal Program end. This message is available when the program has been completed (only when configured as a program controller).
		1dP	12453				
		2dP	20645				
		3dP	28837				
						0	not active
						1	This output is activated by the message 'Program end'.
FAi.1	r/w	base	4262	41292	Enum	Enum_FAI1	Output function: Signal INP1 fault. The fail signal is generated, if a fault occurs at the analog Input INP1.
		1dP	12454				
		2dP	20646				
		3dP	28838				
						0	not active
						1	The output sends the error message 'INP1 fault'.
FAi.2	r/w	base	4263	41294	Enum	Enum_FAI2	Output function: Signal INP2 fault. The fail signal is generated, if a fault occurs at the analog Input INP2.
		1dP	12455				
		2dP	20647				
		3dP	28839				
						0	not active
						1	The output sends the error message 'INP2 fault'.
FAi.3	r/w	base	4264	41296	Enum	Enum_FAI3	Output function: Signal INP3 fault. The fail signal is generated, if a fault occurs at the analog Input INP3.
		1dP	12456				
		2dP	20648				
		3dP	28840				
						0	not active
						1	The output sends the error message 'INP3 fault'.
PrG.1	r/w	base	4265	41298	Enum	Enum_PrG1	Output function: Signal programmer's control output no. 1. A control output is one of the four digital signals that can be operated segment-wise by a program.
		1dP	12457				
		2dP	20649				
		3dP	28841				
						0	not active
						1	Control output 1 is assigned to this output.
PrG.2	r/w	base	4266	41300	Enum	Enum_PrG2	Output function: Signal programmer's control output no. 2. A control output is one of the four digital signals that can be operated segment-wise by a program.
		1dP	12458				
		2dP	20650				
		3dP	28842				
						0	not active
						1	Control output 2 is assigned to this output.
PrG.3	r/w	base	4267	41302	Enum	Enum_PrG3	Output function: Signal programmer's control output no. 3. T A control output is one of the four digital signals that can be operated segment-wise by a program.
		1dP	12459				
		2dP	20651				
		3dP	28843				
						0	not active
						1	Control output 3 is assigned to this output.

16 Out.2

• ConF

Name	r/w	Adr.	Integer	real	Typ	Value/off	Description
PrG.4	r/w	base	4268	41304	Enum	Enum_PrG4	Output function: Signal programmer's control output no. 4. A control output is one of the four digital signals that can be operated segment-wise by a program.
		1dP	12460				
		2dP	20652				
		3dP	28844				
0							not active
1							Control output 4 is assigned to this output.

CALL	r/w	base	4269	41306	Enum	Enum_CALL	Output: Operator call. At the end of a program segment, a contact is set, e.g. for an acoustic signal. This indicates to the operator that a certain program status has been reached, and operator action is required. Operator calling is used, if the program may only be continued after a check or some kind of operator action.
		1dP	12461				
		2dP	20653				
		3dP	28845				
0							not active
1							The output is switched by an operator call.

dP.Er	r/w	base	4275	41318	Enum	Enum_DP_ERR	Output function: Signal Fault in the Profibus communication. This output is set when a fault in the Profibus communication occurs. There is no more communication with this device.
		1dP	12467				
		2dP	20659				
		3dP	28851				
0							Not active
1							This output sends the Profibus fault.

• Signal

Name	r/w	Adr.	Integer	real	Typ	Value/off	Description
Out2	r	base	4280	41328	Enum	Enum_Ausgang	Status of the digital output
		1dP	12472				
		2dP	20664				
		3dP	28856				
0							off
1							on

F.Do2	r/w	base	4281	41330	Enum	Enum_Ausgang	Forcing of this digital output. Forcing involves the external operation of an output. The instrument has no influence on this output (use of free outputs by superordinate system).
		1dP	12473				
		2dP	20665				
		3dP	28857				
0							off
1							on

17 Out.3

• ConF

Name	r/w	Adr.	Integer	real	Typ	Value/off	Description
O.tYP	r/w	base	4370	41508	Enum	Enum_OtYP	Signal type selection OUT
		1dP	12562				
		2dP	20754				
		3dP	28946				
						0	Relay / logic
						1	0 ... 20 mA continuous
						2	4 ... 20 mA continuous
						3	0...10 V continuous
						4	2...10 V continuous
						5	transmitter supply
O.Act	r/w	base	4350	41468	Enum	Enum_OAct	Operating sense of the switching output. Direct: Active function (e.g. limit value) switches the output ON; Inverse: Active function (e.g. limit value) switches the output OFF.
		1dP	12542				
		2dP	20734				
		3dP	28926				
						0	direct / normally open
						1	inverse / normally closed
Y.1	r/w	base	4351	41470	Enum	Enum_Y1	Output function: Controller output Y1
		1dP	12543				
		2dP	20735				
		3dP	28927				
						0	not active
						1	This output provides the controller output Y1.
Y.2	r/w	base	4352	41472	Enum	Enum_Y2	Output function: Controller output Y2. Caution: Do not confuse the controller output Y2 with the parameter 'Fixed output Y2' !
		1dP	12544				
		2dP	20736				
		3dP	28928				
						0	not active
						1	This output provides the controller output Y2.
Lim.1	r/w	base	4353	41474	Enum	Enum_Lim1	Output function: Signal limit 1
		1dP	12545				
		2dP	20737				
		3dP	28929				
						0	not active
						1	The output is activated by an alarm from limit value 1.
Lim.2	r/w	base	4354	41476	Enum	Enum_Lim2	Output function: Signal limit 2
		1dP	12546				
		2dP	20738				
		3dP	28930				
						0	not active
						1	The output is activated by an alarm from limit value 2.

17 Out.3

• ConF

Name	r/w	Adr.	Integer	real	Typ	Value/off	Description
Lim.3	r/w	base	4355	41478	Enum	Enum_Lim3	Output function: Signal limit 3
		1dP	12547				
		2dP	20739				
		3dP	28931				
0 not active							
1 The output is activated by an alarm from limit value 3.							
LP.AL	r/w	base	4357	41482	Enum	Enum_OUT_LPAL	Output function: Signal Interruption alarm (LOOP) The overall control loop is monitored and the process value has to change with an output signal of maximum value, else loop alarm is generated.
		1dP	12549				
		2dP	20741				
		3dP	28933				
0 not active							
1 The loop alarm (= open loop alarm) is assigned to this output.							
HC.AL	r/w	base	4358	41484	Enum	Enum_OUT_HCAL	Output function: Signal Heat current alarm. Either break (= current I < heating current limit) can be monitored or overload (= current I > heating current limit), dependent on configuration.
		1dP	12550				
		2dP	20742				
		3dP	28934				
0 not active							
1 The heating current alarm is assigned to this output.							
HC.SC	r/w	base	4359	41486	Enum	Enum_HCSC	Output function: Signal Solid-state relay (SSR) short circuit. The short circuit alarm of the SSR is triggered, if a current is detected in the heating circuit, although the controller output is switched off.
		1dP	12551				
		2dP	20743				
		3dP	28935				
0 not active							
1 Output activated by an SSR fault.							
P.End	r/w	base	4361	41490	Enum	Enum_PEnd	Output function: Signal Program end. This message is available when the program has been completed (only when configured as a program controller).
		1dP	12553				
		2dP	20745				
		3dP	28937				
0 not active							
1 This output is activated by the message 'Program end'.							
FAi.1	r/w	base	4362	41492	Enum	Enum_FAI1	Output function: Signal INP1 fault. The fail signal is generated, if a fault occurs at the analog Input INP1.
		1dP	12554				
		2dP	20746				
		3dP	28938				
0 not active							
1 The output sends the error message 'INP1 fault'.							
FAi.2	r/w	base	4363	41494	Enum	Enum_FAI2	Output function: Signal INP2 fault. The fail signal is generated, if a fault occurs at the analog Input INP2.
		1dP	12555				
		2dP	20747				
		3dP	28939				
0 not active							
1 The output sends the error message 'INP2 fault'.							

17 Out.3

• ConF

Name	r/w	Adr.	Integer	real	Typ	Value/off	Description
FAi.3	r/w	base	4364	41496	Enum	Enum_FAi3	Output function: Signal INP3 fault. The fail signal is generated, if a fault occurs at the analog Input INP3.
		1dP	12556				
		2dP	20748				
		3dP	28940				
						0	not active
						1	The output sends the error message 'INP3 fault'.
PrG.1	r/w	base	4365	41498	Enum	Enum_PrG1	Output function: Signal programmer's control output no. 1. A control output is one of the four digital signals that can be operated segment-wise by a program.
		1dP	12557				
		2dP	20749				
		3dP	28941				
						0	not active
						1	Control output 1 is assigned to this output.
PrG.2	r/w	base	4366	41500	Enum	Enum_PrG2	Output function: Signal programmer's control output no. 2. A control output is one of the four digital signals that can be operated segment-wise by a program.
		1dP	12558				
		2dP	20750				
		3dP	28942				
						0	not active
						1	Control output 2 is assigned to this output.
PrG.3	r/w	base	4367	41502	Enum	Enum_PrG3	Output function: Signal programmer's control output no. 3. T A control output is one of the four digital signals that can be operated segment-wise by a program.
		1dP	12559				
		2dP	20751				
		3dP	28943				
						0	not active
						1	Control output 3 is assigned to this output.
PrG.4	r/w	base	4368	41504	Enum	Enum_PrG4	Output function: Signal programmer's control output no. 4. A control output is one of the four digital signals that can be operated segment-wise by a program.
		1dP	12560				
		2dP	20752				
		3dP	28944				
						0	not active
						1	Control output 4 is assigned to this output.
CALL	r/w	base	4369	41506	Enum	Enum_CALL	Output: Operator call. At the end of a program segment, a contact is set, e.g. for an acoustic signal. This indicates to the operator that a certain program status has been reached, and operator action is required. Operator calling is used, if the program may only be continued after a check or some kind of operator action.
		1dP	12561				
		2dP	20753				
		3dP	28945				
						0	not active
						1	The output is switched by an operator call.
dP.Er	r/w	base	4375	41518	Enum	Enum_DP_ERR	Output function: Signal Fault in the Profibus communication. This output is set when a fault in the Profibus communication occurs. There is no more communication with this device.
		1dP	12567				
		2dP	20759				
		3dP	28951				
						0	Not active
						1	This output sends the Profibus fault.

17 Out.3

• ConF

Name	r/w	Adr.	Integer	real	Typ	Value/off	Description
Out.0	r/w	base 1dP 2dP 3dP	4371 12563 20755 28947	41510	Float	-1 ... <input type="checkbox"/>	Lower scaling limit of the analog output (corresponds to 0%). If current and voltage signals are used as output values, the display can be scaled to the output value in the Parameter Level. The output value of the lower scaling point is indicated in the respective electrical unit (mA / V).
Out.1	r/w	base 1dP 2dP 3dP	4372 12564 20756 28948	41512	Float	-1 ... <input type="checkbox"/>	Upper scaling limit of the analog output (corresponds to 100%). If current and voltage signals are used as output values, the display can be scaled to the output value in the Parameter Level. The output value of the upper scaling point is indicated in the respective electrical unit (mA / V).
O.Src	r/w	base 1dP 2dP 3dP	4373 12565 20757 28949	41514	Enum	Enum_OSrc	Signal source of the analog output (visible not with all output signal types O.TYP).

0	not used
1	Controller output y1 (continuous)
2	Controller output y2 (continuous)
3	process value
4	The effective setpoint Weff, which is used for control. Example: The gradient changes the effective setpoint until it reaches the internal (target) setpoint.
5	control deviation xw (process value - set-point)= relative alarm Note: Monitoring with the effective set-point Weff. For example using a ramp it is the changing set-point, not the target set-point of the ramp.
6	Position feedback signal Yp.
7	measured value INP1
8	measured value INP2
9	measured value INP3

O.FAI	r/w	base 1dP 2dP 3dP	4374 12566 20758 28950	41516	Enum	Enum_OFail	fail behaviour
-------	-----	---------------------------	---------------------------------	-------	------	------------	----------------

0	upscale
1	downscale

• Signal

Name	r/w	Adr.	Integer	real	Typ	Value/off	Description
Out1	r	base 1dP 2dP 3dP	4380 12572 20764 28956	41528	Enum	Enum_Ausgang	Status of the digital output

0	off
1	on

17 Out.3

• Signal

Name	r/w	Adr.	Integer	real	Typ	Value/off	Description
F.Do1	r/w	base	4381	41530	Enum	Enum_Ausgang	Forcing of this digital output. Forcing involves the external operation of an output. The instrument has no influence on this output (use of free outputs by superordinate system).
		1dP	12573				
		2dP	20765				
		3dP	28957				
						0	off
						1	on
F.Out1	r/w	base	4382	41532	Float	0...120	<input type="checkbox"/> Forcing value of the analog output. Forcing involves the external operation of an output, i.e. the instrument has no influence on this output. (Used for the operation of free outputs e.g. by a supervisory PLC.)
		1dP	12574				
		2dP	20766				
		3dP	28958				

18 Out.4

• ConF

Name	r/w	Adr.	Integer	real	Typ	Value/off	Description
O.tYP	r/w	base	4470	41708	Enum	Enum_OtYP	Signal type selection OUT
		1dP	12662				
		2dP	20854				
		3dP	29046				
						0	Relay / logic
						1	0 ... 20 mA continuous
						2	4 ... 20 mA continuous
						3	0...10 V continuous
						4	2...10 V continuous
						5	transmitter supply
O.Act	r/w	base	4450	41668	Enum	Enum_OAct	Operating sense of the switching output. Direct: Active function (e.g. limit value) switches the output ON; Inverse: Active function (e.g. limit value) switches the output OFF.
		1dP	12642				
		2dP	20834				
		3dP	29026				
						0	direct / normally open
						1	inverse / normally closed
Y.1	r/w	base	4451	41670	Enum	Enum_Y1	Output function: Controller output Y1
		1dP	12643				
		2dP	20835				
		3dP	29027				
						0	not active
						1	This output provides the controller output Y1.
Y.2	r/w	base	4452	41672	Enum	Enum_Y2	Output function: Controller output Y2. Caution: Do not confuse the controller output Y2 with the parameter 'Fixed output Y2' !
		1dP	12644				
		2dP	20836				
		3dP	29028				
						0	not active
						1	This output provides the controller output Y2.

18 Out.4

• ConF

Name	r/w	Adr.	Integer	real	Typ	Value/off	Description
Lim.1	r/w	base	4453	41674	Enum	Enum_Lim1	Output function: Signal limit 1
		1dP	12645				
		2dP	20837				
		3dP	29029				
0							not active
1							The output is activated by an alarm from limit value 1.
Lim.2	r/w	base	4454	41676	Enum	Enum_Lim2	Output function: Signal limit 2
		1dP	12646				
		2dP	20838				
		3dP	29030				
0							not active
1							The output is activated by an alarm from limit value 2.
Lim.3	r/w	base	4455	41678	Enum	Enum_Lim3	Output function: Signal limit 3
		1dP	12647				
		2dP	20839				
		3dP	29031				
0							not active
1							The output is activated by an alarm from limit value 3.
LP.AL	r/w	base	4457	41682	Enum	Enum_OUT_LPAL	Output function: Signal Interruption alarm (LOOP) The overall control loop is monitored and the process value has to change with an output signal of maximum value, else loop alarm is generated.
		1dP	12649				
		2dP	20841				
		3dP	29033				
0							not active
1							The loop alarm (= open loop alarm) is assigned to this output.
HC.AL	r/w	base	4458	41684	Enum	Enum_OUT_HCAL	Output function: Signal Heat current alarm. Either break (= current I < heating current limit) can be monitored or overload (= current I > heating current limit), dependent on configuration.
		1dP	12650				
		2dP	20842				
		3dP	29034				
0							not active
1							The heating current alarm is assigned to this output.
HC.SC	r/w	base	4459	41686	Enum	Enum_HCSC	Output function: Signal Solid-state relay (SSR) short circuit. The short circuit alarm of the SSR is triggered, if a current is detected in the heating circuit, although the controller output is switched off.
		1dP	12651				
		2dP	20843				
		3dP	29035				
0							not active
1							Output activated by an SSR fault.
P.End	r/w	base	4461	41690	Enum	Enum_PEnd	Output function: Signal Program end. This message is available when the program has been completed (only when configured as a program controller).
		1dP	12653				
		2dP	20845				
		3dP	29037				
0							not active
1							This output is activated by the message 'Program end'.

18 Out.4

• ConF

Name	r/w	Adr.	Integer	real	Typ	Value/off	Description
FAi.1	r/w	base	4462	41692	Enum	Enum_FAi1	Output function: Signal INP1 fault. The fail signal is generated, if a fault occurs at the analog Input INP1.
		1dP	12654				
		2dP	20846				
		3dP	29038				
						0	not active
						1	The output sends the error message 'INP1 fault'.
FAi.2	r/w	base	4463	41694	Enum	Enum_FAi2	Output function: Signal INP2 fault. The fail signal is generated, if a fault occurs at the analog Input INP2.
		1dP	12655				
		2dP	20847				
		3dP	29039				
						0	not active
						1	The output sends the error message 'INP2 fault'.
FAi.3	r/w	base	4464	41696	Enum	Enum_FAi3	Output function: Signal INP3 fault. The fail signal is generated, if a fault occurs at the analog Input INP3.
		1dP	12656				
		2dP	20848				
		3dP	29040				
						0	not active
						1	The output sends the error message 'INP3 fault'.
PrG.1	r/w	base	4465	41698	Enum	Enum_PrG1	Output function: Signal programmer's control output no. 1. A control output is one of the four digital signals that can be operated segment-wise by a program.
		1dP	12657				
		2dP	20849				
		3dP	29041				
						0	not active
						1	Control output 1 is assigned to this output.
PrG.2	r/w	base	4466	41700	Enum	Enum_PrG2	Output function: Signal programmer's control output no. 2. A control output is one of the four digital signals that can be operated segment-wise by a program.
		1dP	12658				
		2dP	20850				
		3dP	29042				
						0	not active
						1	Control output 2 is assigned to this output.
PrG.3	r/w	base	4467	41702	Enum	Enum_PrG3	Output function: Signal programmer's control output no. 3. T A control output is one of the four digital signals that can be operated segment-wise by a program.
		1dP	12659				
		2dP	20851				
		3dP	29043				
						0	not active
						1	Control output 3 is assigned to this output.
PrG.4	r/w	base	4468	41704	Enum	Enum_PrG4	Output function: Signal programmer's control output no. 4. A control output is one of the four digital signals that can be operated segment-wise by a program.
		1dP	12660				
		2dP	20852				
		3dP	29044				
						0	not active
						1	Control output 4 is assigned to this output.

18 Out.4

• ConF

Name	r/w	Adr.	Integer	real	Typ	Value/off	Description
CALL	r/w	base	4469	41706	Enum	Enum_CALL	Output: Operator call. At the end of a program segment, a contact is set, e.g. for an acoustic signal. This indicates to the operator that a certain program status has been reached, and operator action is required. Operator calling is used, if the program may only be continued after a check or some kind of operator action.
		1dP	12661				
		2dP	20853				
		3dP	29045				

0 not active

1 The output is switched by an operator call.

dP.Er	r/w	base	4475	41718	Enum	Enum_DP_ERR	Output function: Signal Fault in the Profibus communication. This output is set when a fault in the Profibus communication occurs. There is no more communication with this device.
		1dP	12667				
		2dP	20859				
		3dP	29051				

0 Not active

1 This output sends the Profibus fault.

Out.0	r/w	base	4471	41710	Float	-1 ... <input type="checkbox"/>	Lower scaling limit of the analog output (corresponds to 0%). If current and voltage signals are used as output values, the display can be scaled to the output value in the Parameter Level. The output value of the lower scaling point is indicated in the respective electrical unit (mA / V).
		1dP	12663				
		2dP	20855				
		3dP	29047				

Out.1	r/w	base	4472	41712	Float	-1 ... <input type="checkbox"/>	Upper scaling limit of the analog output (corresponds to 100%). If current and voltage signals are used as output values, the display can be scaled to the output value in the Parameter Level. The output value of the upper scaling point is indicated in the respective electrical unit (mA / V).
		1dP	12664				
		2dP	20856				
		3dP	29048				

O.Src	r/w	base	4473	41714	Enum	Enum_OSrc	Signal source of the analog output (visible not with all output signal types O.TYP).
		1dP	12665				
		2dP	20857				
		3dP	29049				

0 not used

1 Controller output y1 (continuous)

2 Controller output y2 (continuous)

3 process value

4 The effective setpoint Weff, which is used for control.

Example: The gradient changes the effective setpoint until it reaches the internal (target) setpoint.

5 control deviation xw (process value - set-point)= relative alarm

Note: Monitoring with the effective set-point Weff. For example using a ramp it is the changing set-point, not the target set-point of the ramp.

6 Position feedback signal Yp.

7 measured value INP1

8 measured value INP2

9 measured value INP3

O.FAI	r/w	base	4474	41716	Enum	Enum_OFail	fail behaviour
		1dP	12666				
		2dP	20858				
		3dP	29050				

0 upscale

1 downscale

- Signal

Name	r/w	Adr.	Integer	real	Typ	Value/off	Description
Out2	r	base	4480	41728	Enum	Enum_Ausgang	Status of the digital output
		1dP	12672				
		2dP	20864				
		3dP	29056				
						0	off
						1	on
F.Do2	r/w	base	4481	41730	Enum	Enum_Ausgang	Forcing of this digital output. Forcing involves the external operation of an output. The instrument has no influence on this output (use of free outputs by superordinate system).
		1dP	12673				
		2dP	20865				
		3dP	29057				
						0	off
						1	on
F.Out2	r/w	base	4482	41732	Float	0...120 <input type="checkbox"/>	Forcing value of the analog output. Forcing involves the external operation of an output, i.e. the instrument has no influence on this output. (Used for the operation of free outputs e.g. by a supervisory PLC.)
		1dP	12674				
		2dP	20866				
		3dP	29058				

19 Out.5

- ConF

Name	r/w	Adr.	Integer	real	Typ	Value/off	Description
O.Act	r/w	base	4550	41868	Enum	Enum_OAct	Operating sense of the switching output. Direct: Active function (e.g. limit value) switches the output ON; Inverse: Active function (e.g. limit value) switches the output OFF.
		1dP	12742				
		2dP	20934				
		3dP	29126				
						0	direct / normally open
						1	inverse / normally closed
Y.1	r/w	base	4551	41870	Enum	Enum_Y1	Output function: Controller output Y1
		1dP	12743				
		2dP	20935				
		3dP	29127				
						0	not active
						1	This output provides the controller output Y1.
Y.2	r/w	base	4552	41872	Enum	Enum_Y2	Output function: Controller output Y2. Caution: Do not confuse the controller output Y2 with the parameter 'Fixed output Y2' !
		1dP	12744				
		2dP	20936				
		3dP	29128				
						0	not active
						1	This output provides the controller output Y2.

19 Out.5

• ConF

Name	r/w	Adr.	Integer	real	Typ	Value/off	Description
Lim.1	r/w	base	4553	41874	Enum	Enum_Lim1	Output function: Signal limit 1
		1dP	12745				
		2dP	20937				
		3dP	29129				
0							not active
1							The output is activated by an alarm from limit value 1.
Lim.2	r/w	base	4554	41876	Enum	Enum_Lim2	Output function: Signal limit 2
		1dP	12746				
		2dP	20938				
		3dP	29130				
0							not active
1							The output is activated by an alarm from limit value 2.
Lim.3	r/w	base	4555	41878	Enum	Enum_Lim3	Output function: Signal limit 3
		1dP	12747				
		2dP	20939				
		3dP	29131				
0							not active
1							The output is activated by an alarm from limit value 3.
LP.AL	r/w	base	4557	41882	Enum	Enum_OUT_LPAL	Output function: Signal Interruption alarm (LOOP) The overall control loop is monitored and the process value has to change with an output signal of maximum value, else loop alarm is generated.
		1dP	12749				
		2dP	20941				
		3dP	29133				
0							not active
1							The loop alarm (= open loop alarm) is assigned to this output.
HC.AL	r/w	base	4558	41884	Enum	Enum_OUT_HCAL	Output function: Signal Heat current alarm. Either break (= current I < heating current limit) can be monitored or overload (= current I > heating current limit), dependent on configuration.
		1dP	12750				
		2dP	20942				
		3dP	29134				
0							not active
1							The heating current alarm is assigned to this output.
HC.SC	r/w	base	4559	41886	Enum	Enum_HCSC	Output function: Signal Solid-state relay (SSR) short circuit. The short circuit alarm of the SSR is triggered, if a current is detected in the heating circuit, although the controller output is switched off.
		1dP	12751				
		2dP	20943				
		3dP	29135				
0							not active
1							Output activated by an SSR fault.
P.End	r/w	base	4561	41890	Enum	Enum_PEnd	Output function: Signal Program end. This message is available when the program has been completed (only when configured as a program controller).
		1dP	12753				
		2dP	20945				
		3dP	29137				
0							not active
1							This output is activated by the message 'Program end'.

19 Out.5

• ConF

Name	r/w	Adr.	Integer	real	Typ	Value/off	Description
FAi.1	r/w	base	4562	41892	Enum	Enum_FAi1	Output function: Signal INP1 fault. The fail signal is generated, if a fault occurs at the analog Input INP1.
		1dP	12754				
		2dP	20946				
		3dP	29138				
						0	not active
						1	The output sends the error message 'INP1 fault'.
FAi.2	r/w	base	4563	41894	Enum	Enum_FAi2	Output function: Signal INP2 fault. The fail signal is generated, if a fault occurs at the analog Input INP2.
		1dP	12755				
		2dP	20947				
		3dP	29139				
						0	not active
						1	The output sends the error message 'INP2 fault'.
FAi.3	r/w	base	4564	41896	Enum	Enum_FAi3	Output function: Signal INP3 fault. The fail signal is generated, if a fault occurs at the analog Input INP3.
		1dP	12756				
		2dP	20948				
		3dP	29140				
						0	not active
						1	The output sends the error message 'INP3 fault'.
PrG.1	r/w	base	4565	41898	Enum	Enum_PrG1	Output function: Signal programmer's control output no. 1. A control output is one of the four digital signals that can be operated segment-wise by a program.
		1dP	12757				
		2dP	20949				
		3dP	29141				
						0	not active
						1	Control output 1 is assigned to this output.
PrG.2	r/w	base	4566	41900	Enum	Enum_PrG2	Output function: Signal programmer's control output no. 2. A control output is one of the four digital signals that can be operated segment-wise by a program.
		1dP	12758				
		2dP	20950				
		3dP	29142				
						0	not active
						1	Control output 2 is assigned to this output.
PrG.3	r/w	base	4567	41902	Enum	Enum_PrG3	Output function: Signal programmer's control output no. 3. T A control output is one of the four digital signals that can be operated segment-wise by a program.
		1dP	12759				
		2dP	20951				
		3dP	29143				
						0	not active
						1	Control output 3 is assigned to this output.
PrG.4	r/w	base	4568	41904	Enum	Enum_PrG4	Output function: Signal programmer's control output no. 4. A control output is one of the four digital signals that can be operated segment-wise by a program.
		1dP	12760				
		2dP	20952				
		3dP	29144				
						0	not active
						1	Control output 4 is assigned to this output.

19 Out.5

• ConF

Name	r/w	Adr.	Integer	real	Typ	Value/off	Description
CALL	r/w	base	4569	41906	Enum	Enum_CALL	Output: Operator call. At the end of a program segment, a contact is set, e.g. for an acoustic signal. This indicates to the operator that a certain program status has been reached, and operator action is required. Operator calling is used, if the program may only be continued after a check or some kind of operator action.
		1dP	12761				
		2dP	20953				
		3dP	29145				
						0	not active
						1	The output is switched by an operator call.

dP.Er	r/w	base	4575	41918	Enum	Enum_DP_ERR	Output function: Signal Fault in the Profibus communication. This output is set when a fault in the Profibus communication occurs. There is no more communication with this device.
		1dP	12767				
		2dP	20959				
		3dP	29151				
						0	Not active
						1	This output sends the Profibus fault.

• Signal

Name	r/w	Adr.	Integer	real	Typ	Value/off	Description
Out3	r	base	4580	41928	Enum	Enum_Ausgang	Status of the digital output
		1dP	12772				
		2dP	20964				
		3dP	29156				
						0	off
						1	on
F.Do3	r/w	base	4581	41930	Enum	Enum_Ausgang	Forcing of this digital output. Forcing involves the external operation of an output. The instrument has no influence on this output (use of free outputs by superordinate system).
		1dP	12773				
		2dP	20965				
		3dP	29157				
						0	off
						1	on

20 Out.6

• ConF

Name	r/w	Adr.	Integer	real	Typ	Value/off	Description
O.Act	r/w	base	4650	42068	Enum	Enum_OAct	Operating sense of the switching output. Direct: Active function (e.g. limit value) switches the output ON; Inverse: Active function (e.g. limit value) switches the output OFF.
		1dP	12842				
		2dP	21034				
		3dP	29226				
						0	direct / normally open
						1	inverse / normally closed

20 Out.6

• ConF

Name	r/w	Adr.	Integer	real	Typ	Value/off	Description
Y.1	r/w	base	4651	42070	Enum	Enum_Y1	Output function: Controller output Y1
		1dP	12843				
		2dP	21035				
		3dP	29227				
						0	not active
						1	This output provides the controller output Y1.
Y.2	r/w	base	4652	42072	Enum	Enum_Y2	Output function: Controller output Y2. Caution: Do not confuse the controller output Y2 with the parameter 'Fixed output Y2' !
		1dP	12844				
		2dP	21036				
		3dP	29228				
						0	not active
						1	This output provides the controller output Y2.
Lim.1	r/w	base	4653	42074	Enum	Enum_Lim1	Output function: Signal limit 1
		1dP	12845				
		2dP	21037				
		3dP	29229				
						0	not active
						1	The output is activated by an alarm from limit value 1.
Lim.2	r/w	base	4654	42076	Enum	Enum_Lim2	Output function: Signal limit 2
		1dP	12846				
		2dP	21038				
		3dP	29230				
						0	not active
						1	The output is activated by an alarm from limit value 2.
Lim.3	r/w	base	4655	42078	Enum	Enum_Lim3	Output function: Signal limit 3
		1dP	12847				
		2dP	21039				
		3dP	29231				
						0	not active
						1	The output is activated by an alarm from limit value 3.
LP.AL	r/w	base	4657	42082	Enum	Enum_OUT_LPAL	Output function: Signal Interruption alarm (LOOP) The overall control loop is monitored and the process value has to change with an output signal of maximum value, else loop alarm is generated.
		1dP	12849				
		2dP	21041				
		3dP	29233				
						0	not active
						1	The loop alarm (= open loop alarm) is assigned to this output.
HC.AL	r/w	base	4658	42084	Enum	Enum_OUT_HCAL	Output function: Signal Heat current alarm. Either break (= current I < heating current limit) can be monitored or overload (= current I > heating current limit), dependent on configuration.
		1dP	12850				
		2dP	21042				
		3dP	29234				
						0	not active
						1	The heating current alarm is assigned to this output.

20 Out.6

• ConF

Name	r/w	Adr.	Integer	real	Typ	Value/off	Description
HC.SC	r/w	base	4659	42086	Enum	Enum_HCSC	Output function: Signal Solid-state relay (SSR) short circuit. The short circuit alarm of the SSR is triggered, if a current is detected in the heating circuit, although the controller output is switched off.
		1dP	12851				
		2dP	21043				
		3dP	29235				
						0	not active
						1	Output activated by an SSR fault.
P.End	r/w	base	4661	42090	Enum	Enum_PEnd	Output function: Signal Program end. This message is available when the program has been completed (only when configured as a program controller).
		1dP	12853				
		2dP	21045				
		3dP	29237				
						0	not active
						1	This output is activated by the message 'Program end'.
FAi.1	r/w	base	4662	42092	Enum	Enum_FAI1	Output function: Signal INP1 fault. The fail signal is generated, if a fault occurs at the analog Input INP1.
		1dP	12854				
		2dP	21046				
		3dP	29238				
						0	not active
						1	The output sends the error message 'INP1 fault'.
FAi.2	r/w	base	4663	42094	Enum	Enum_FAI2	Output function: Signal INP2 fault. The fail signal is generated, if a fault occurs at the analog Input INP2.
		1dP	12855				
		2dP	21047				
		3dP	29239				
						0	not active
						1	The output sends the error message 'INP2 fault'.
FAi.3	r/w	base	4664	42096	Enum	Enum_FAI3	Output function: Signal INP3 fault. The fail signal is generated, if a fault occurs at the analog Input INP3.
		1dP	12856				
		2dP	21048				
		3dP	29240				
						0	not active
						1	The output sends the error message 'INP3 fault'.
PrG.1	r/w	base	4665	42098	Enum	Enum_PrG1	Output function: Signal programmer's control output no. 1. A control output is one of the four digital signals that can be operated segment-wise by a program.
		1dP	12857				
		2dP	21049				
		3dP	29241				
						0	not active
						1	Control output 1 is assigned to this output.
PrG.2	r/w	base	4666	42100	Enum	Enum_PrG2	Output function: Signal programmer's control output no. 2. A control output is one of the four digital signals that can be operated segment-wise by a program.
		1dP	12858				
		2dP	21050				
		3dP	29242				
						0	not active
						1	Control output 2 is assigned to this output.

20 Out.6

• ConF

Name	r/w	Adr.	Integer	real	Typ	Value/off	Description
PrG.3	r/w	base	4667	42102	Enum	Enum_PrG3	Output function: Signal programmer's control output no. 3. T A control output is one of the four digital signals that can be operated segment-wise by a program.
		1dP	12859				
		2dP	21051				
		3dP	29243				
0							not active
1							Control output 3 is assigned to this output.

PrG.4	r/w	base	4668	42104	Enum	Enum_PrG4	Output function: Signal programmer's control output no. 4. A control output is one of the four digital signals that can be operated segment-wise by a program.
		1dP	12860				
		2dP	21052				
		3dP	29244				
0							not active
1							Control output 4 is assigned to this output.

CALL	r/w	base	4669	42106	Enum	Enum_CALL	Output: Operator call. At the end of a program segment, a contact is set, e.g. for an acoustic signal. This indicates to the operator that a certain program status has been reached, and operator action is required. Operator calling is used, if the program may only be continued after a check or some kind of operator action.
		1dP	12861				
		2dP	21053				
		3dP	29245				
0							not active
1							The output is switched by an operator call.

dP.Er	r/w	base	4675	42118	Enum	Enum_DP_ERR	Output function: Signal Fault in the Profibus communication. This output is set when a fault in the Profibus communication occurs. There is no more communication with this device.
		1dP	12867				
		2dP	21059				
		3dP	29251				
0							Not active
1							This output sends the Profibus fault.

• Signal

Name	r/w	Adr.	Integer	real	Typ	Value/off	Description
Out4	r	base	4680	42128	Enum	Enum_Ausgang	Status of the digital output
		1dP	12872				
		2dP	21064				
		3dP	29256				
0							off
1							on

F.Do4	r/w	base	4681	42130	Enum	Enum_Ausgang	Forcing of this digital output. Forcing involves the external operation of an output. The instrument has no influence on this output (use of free outputs by superordinate system).
		1dP	12873				
		2dP	21065				
		3dP	29257				
0							off
1							on

21 PAr.2

• PArA

Name	r/w	Adr.	Integer	real	Typ	Value/off	Description
Pb12	r/w	base 1dP 2dP 3dP	5030 13222 21414 29606	42828	Float	0,1... <input type="checkbox"/>	Proportional band 1 (heating) in engineering unit (e.g. °C) of the 2nd parameter set. The Pb defines the ratio between output value and control deviation. The smaller the value of Pb is, the stronger is the control response for a specific control deviation. Too large and too small values for Pb lead to process oscillations (hunting).
Pb22	r/w	base 1dP 2dP 3dP	5031 13223 21415 29607	42830	Float	0,1... <input type="checkbox"/>	Proportional band 2 (cooling) in engineering unit (e.g. °C) of the 2nd parameter set. The Pb defines the ratio between output value and control deviation. The smaller the value of Pb is, the stronger is the control response for a specific control deviation. Too large and too small values for Pb lead to process oscillations (hunting).
ti22	r/w	base 1dP 2dP 3dP	5033 13225 21417 29609	42834	Float	0... <input checked="" type="checkbox"/>	Integral action time 2 (cooling) [s]. Second parameter set. Ti is the time constant of the integral portion. The smaller Ti is, the faster is the response of the integral action. Ti too small: Control tends to oscillate. Ti too large: Control is sluggish and needs a long time to line out.
ti12	r/w	base 1dP 2dP 3dP	5032 13224 21416 29608	42832	Float	0... <input checked="" type="checkbox"/>	Integral action time 1 (heating) [s]. Second parameter set. Ti is the time constant of the integral portion. The smaller Ti is, the faster is the response of the integral action. Ti too small: Control tends to oscillate. Ti too large: Control is sluggish and needs a long time to line out.
td12	r/w	base 1dP 2dP 3dP	5034 13226 21418 29610	42836	Float	0... <input checked="" type="checkbox"/>	Derivative action time 1 (heating) [s], second parameter set. Td is the time constant of the derivative portion. The faster the process value changes, and the larger the value of Td is, the stronger will be the derivative action. Td too small: Very little derivative action. Td too large: Control tends to oscillate.
td22	r/w	base 1dP 2dP 3dP	5035 13227 21419 29611	42838	Float	0... <input checked="" type="checkbox"/>	Derivative action time 2 (cooling) [s], second parameter set. Td is the time constant of the derivative portion. The faster the process value changes, and the larger the value of Td is, the stronger will be the derivative action. Td too small: Very little derivative action. Td too large: Control tends to oscillate.

22 ProG

• ConF

Name	r/w	Adr.	Integer	real	Typ	Value/off	Description
t.bAS	r/w	base 1dP 2dP 3dP	6030 14222 22414 30606	44828	Enum	Enum_tbAS	Definition of the programmer's time base in hours using minutes, or in minutes using seconds.
						0	Hours [hh] : Minutes [mm]
						1	Minutes [mm] : Seconds [ss]

22 ProG

• PArA

Name	r/w	Adr.	Integer	real	Typ	Value/off	Description
Pr.no	r/w	base 1dP 2dP 3dP	6000 14192 22384 30576	44768	Enum	Enum_PrgNoPar	Program number (nominal). The program number (nominal) determines which program is to be started next. Running programs are not affected. The selected program is only started after a reset or restart.
						1	Prog. 01
						2	Prog. 02
						3	Prog. 03
						4	Prog. 04
						5	Prog. 05
						6	Prog. 06
						7	Prog. 07
						8	Prog. 08
						9	Prog. 09
						10	Prog. 10
						11	Prog. 11
						12	Prog. 12
						13	Prog. 13
						14	Prog. 14
						15	Prog. 15
						16	Prog. 16

b.Lo	r/w	base 1dP 2dP 3dP	6100 14292 22484 30676	44968	Float	0... <input checked="" type="checkbox"/>	Lower bandwidth limit. The bandwidth monitor is valid for all segments of an individual program. If the bandwidth is exceeded, the programmer is stopped. The program continues, if the process value returns within the defined monitoring limits.
b.Hi	r/w	base 1dP 2dP 3dP	6101 14293 22485 30677	44970	Float	0... <input checked="" type="checkbox"/>	Upper bandwidth limit. The bandwidth monitor is valid for all segments of an individual program. If the bandwidth is exceeded, the programmer is stopped. The program continues, if the process value returns within the defined monitoring limits.
d.00	r/w	base 1dP 2dP 3dP	6134 14326 22518 30710	45036	Enum	ENUM_Spuren	Reset value for control outputs 1...4. A program can control up to four digital signals: the control outputs 1...4. The reset value of the control output contains the combination of these signals, which are output together with the controller's internal setpoint, if the programmer is not active.

0	0-0-0-0
1	1-0-0-0
2	0-1-0-0
3	1-1-0-0
4	0-0-1-0
5	1-0-1-0
6	0-1-1-0
7	1-1-1-0
8	0-0-0-1
9	1-0-0-1
10	0-1-0-1
11	1-1-0-1
12	0-0-1-1
13	1-0-1-1
14	0-1-1-1
15	1-1-1-1

22 ProG

• PArA

Name	r/w	Adr.	Integer	real	Typ	Value/off	Description
tYPE	r/w	base 1dP 2dP 3dP	6135 14327 22519 30711	45038	Enum	Enum_SegTyp	Type of segment 1. The segment type defines the setpoint behaviour for this segment. The setpoint can be held constant or be changed with a ramp or a step function. Continuation to next segment is automatic or manual (define a hold time). Note: The 1st segment cannot be configured as the end segment.
						0	time to set-point
						1	rate to set-point
						2	The final setpoint of the previous segment is kept constant for the duration 'Pt'.
						3	step to set-point
						4	time to set-point and wait
						5	rate to set-point and wait
						6	The final setpoint of the previous segment is kept constant for the duration 'Pt'. At the end of a segment, the programmer enters the Stop mode (Run LED is off), and can be restarted by pressing the Start/Stop key (more than 3 s), via the interface, or a digital input.
						7	step to set-point and wait
						8	The last segment in a program is the end segment. When the end segment has been reached, the last setpoint is maintained.
SP	r/w	base 1dP 2dP 3dP	6102 14294 22486 30678	44972	Float	-1 ... <input type="checkbox"/>	End setpoint of segment 1. This is the target setpoint that is reached at the end of the first segment. The target setpoint is approached from the previous valid setpoint (when starting the 1st segment, matching to process value!). When the program is completed, the controller continues with the last target setpoint reached.
Pt	r/w	base 1dP 2dP 3dP	6103 14295 22487 30679	44974	Float	0... <input type="checkbox"/>	Segment time/gradient 1. The duration of a segment can be defined directly, or by using the segment time and the setpoint difference (SP – segment starting setpoint). Whether the setting is for segment time or the gradient, is defined by means of the segment type parameter (tYPE).
d.Out	r/w	base 1dP 2dP 3dP	6136 14328 22520 30712	45040	Enum	ENUM_Spuren	Control outputs 1...4 - 1. A program can control up to four digital signals: the control outputs 1...4. A combination of these signals can be assigned to every segment, whereby the signals are operated while the segment is running. For access to the controller's outputs, the signals must be assigned accordingly.
						0	0-0-0-0
						1	1-0-0-0
						2	0-1-0-0
						3	1-1-0-0
						4	0-0-1-0
						5	1-0-1-0
						6	0-1-1-0
						7	1-1-1-0
						8	0-0-0-1
						9	1-0-0-1
						10	0-1-0-1
						11	1-1-0-1
						12	0-0-1-1
						13	1-0-1-1
						14	0-1-1-1
						15	1-1-1-1

22 ProG

• PArA

Name	r/w	Adr.	Integer	real	Typ	Value/off	Description
tYPE	r/w	base 1dP 2dP 3dP	6137 14329 22521 30713	45042	Enum	Enum_SegTyp	Segment type of segment 2. The segment type defines the setpoint behaviour for this segment. The setpoint can be held constant or be changed with a ramp or a step function. Continuation to next segment is automatic or manual (define a hold time).
						0	time to set-point
						1	rate to set-point
						2	The final setpoint of the previous segment is kept constant for the duration 'Pt'.
						3	step to set-point
						4	time to set-point and wait
						5	rate to set-point and wait
						6	The final setpoint of the previous segment is kept constant for the duration 'Pt'. At the end of a segment, the programmer enters the Stop mode (Run LED is off), and can be restarted by pressing the Start/Stop key (more than 3 s), via the interface, or a digital input.
						7	step to set-point and wait
						8	The last segment in a program is the end segment. When the end segment has been reached, the last setpoint is maintained.
SP	r/w	base 1dP 2dP 3dP	6104 14296 22488 30680	44976	Float	-1 ... <input type="checkbox"/>	End setpoint of segment 2. This is the target setpoint that is reached at the end of the second segment. The target setpoint is approached from the previous valid setpoint. When the program is completed, the controller continues with the last target setpoint reached.
Pt	r/w	base 1dP 2dP 3dP	6105 14297 22489 30681	44978	Float	0... <input type="checkbox"/>	Segment time/gradient 2. The duration of a segment can be defined directly, or by using the segment time and the setpoint difference (SP – segment starting setpoint). Whether the setting is for segment time or the gradient, is defined by means of the segment type parameter (tYPE).
d.Out	r/w	base 1dP 2dP 3dP	6138 14330 22522 30714	45044	Enum	ENUM_Spuren	Control outputs 1...4 - 2. A program can control up to four digital signals: the control outputs 1...4. A combination of these signals can be assigned to every segment, whereby the signals are operated while the segment is running. For access to the controller's outputs, the signals must be assigned accordingly.
						0	0-0-0-0
						1	1-0-0-0
						2	0-1-0-0
						3	1-1-0-0
						4	0-0-1-0
						5	1-0-1-0
						6	0-1-1-0
						7	1-1-1-0
						8	0-0-0-1
						9	1-0-0-1
						10	0-1-0-1
						11	1-1-0-1
						12	0-0-1-1
						13	1-0-1-1
						14	0-1-1-1
						15	1-1-1-1

22 ProG

• PArA

Name	r/w	Adr.	Integer	real	Typ	Value/off	Description
tYPE	r/w	base 1dP 2dP 3dP	6139 14331 22523 30715	45046	Enum	Enum_SegTyp	Segment type of segment 3. The segment type defines the setpoint behaviour for this segment. The setpoint can be held constant or be changed with a ramp or a step function. Continuation to next segment is automatic or manual (define a hold time).
						0	time to set-point
						1	rate to set-point
						2	The final setpoint of the previous segment is kept constant for the duration 'Pt'.
						3	step to set-point
						4	time to set-point and wait
						5	rate to set-point and wait
						6	The final setpoint of the previous segment is kept constant for the duration 'Pt'. At the end of a segment, the programmer enters the Stop mode (Run LED is off), and can be restarted by pressing the Start/Stop key (more than 3 s), via the interface, or a digital input.
						7	step to set-point and wait
						8	The last segment in a program is the end segment. When the end segment has been reached, the last setpoint is maintained.
SP	r/w	base 1dP 2dP 3dP	6106 14298 22490 30682	44980	Float	-1 ... <input type="checkbox"/>	End setpoint of segment 3. This is the target setpoint that is reached at the end of the third segment. The target setpoint is approached from the previous valid setpoint. When the program is completed, the controller continues with the last target setpoint reached.
Pt	r/w	base 1dP 2dP 3dP	6107 14299 22491 30683	44982	Float	0... <input type="checkbox"/>	Segment time/gradient 3. The duration of a segment can be defined directly, or by using the segment time and the setpoint difference (SP – segment starting setpoint). Whether the setting is for segment time or the gradient, is defined by means of the segment type parameter (tYPE).
d.Out	r/w	base 1dP 2dP 3dP	6140 14332 22524 30716	45048	Enum	ENUM_Spuren	Control outputs 1...4 - 3. A program can control up to four digital signals: the control outputs 1...4. A combination of these signals can be assigned to every segment, whereby the signals are operated while the segment is running. For access to the controller's outputs, the signals must be assigned accordingly.
						0	0-0-0-0
						1	1-0-0-0
						2	0-1-0-0
						3	1-1-0-0
						4	0-0-1-0
						5	1-0-1-0
						6	0-1-1-0
						7	1-1-1-0
						8	0-0-0-1
						9	1-0-0-1
						10	0-1-0-1
						11	1-1-0-1
						12	0-0-1-1
						13	1-0-1-1
						14	0-1-1-1
						15	1-1-1-1

22 ProG

• PArA

Name	r/w	Adr.	Integer	real	Typ	Value/off	Description
tYPE	r/w	base 1dP 2dP 3dP	6141 14333 22525 30717	45050	Enum	Enum_SegTyp	Segment type of segment 4. The segment type defines the setpoint behaviour for this segment. The setpoint can be held constant or be changed with a ramp or a step function. Continuation to next segment is automatic or manual (define a hold time).
						0	time to set-point
						1	rate to set-point
						2	The final setpoint of the previous segment is kept constant for the duration 'Pt'.
						3	step to set-point
						4	time to set-point and wait
						5	rate to set-point and wait
						6	The final setpoint of the previous segment is kept constant for the duration 'Pt'. At the end of a segment, the programmer enters the Stop mode (Run LED is off), and can be restarted by pressing the Start/Stop key (more than 3 s), via the interface, or a digital input.
						7	step to set-point and wait
						8	The last segment in a program is the end segment. When the end segment has been reached, the last setpoint is maintained.
SP	r/w	base 1dP 2dP 3dP	6108 14300 22492 30684	44984	Float	-1 ... <input type="checkbox"/>	End setpoint of segment 4. This is the target setpoint that is reached at the end of the fourth segment. The target setpoint is approached from the previous valid setpoint. When the program is completed, the controller continues with the last target setpoint reached.
Pt	r/w	base 1dP 2dP 3dP	6109 14301 22493 30685	44986	Float	0... <input type="checkbox"/>	Segment time/gradient 4. The duration of a segment can be defined directly, or by using the segment time and the setpoint difference (SP – segment starting setpoint). Whether the setting is for segment time or the gradient, is defined by means of the segment type parameter (tYPE).
d.Out	r/w	base 1dP 2dP 3dP	6142 14334 22526 30718	45052	Enum	ENUM_Spuren	Control outputs 1...4 - 4. A program can control up to four digital signals: the control outputs 1...4. A combination of these signals can be assigned to every segment, whereby the signals are operated while the segment is running. For access to the controller's outputs, the signals must be assigned accordingly.
						0	0-0-0-0
						1	1-0-0-0
						2	0-1-0-0
						3	1-1-0-0
						4	0-0-1-0
						5	1-0-1-0
						6	0-1-1-0
						7	1-1-1-0
						8	0-0-0-1
						9	1-0-0-1
						10	0-1-0-1
						11	1-1-0-1
						12	0-0-1-1
						13	1-0-1-1
						14	0-1-1-1
						15	1-1-1-1

22 ProG

• PArA

Name	r/w	Adr.	Integer	real	Typ	Value/off	Description
tYPE	r/w	base 1dP 2dP 3dP	6143 14335 22527 30719	45054	Enum	Enum_SegTyp	Segment type of segment 5. The segment type defines the setpoint behaviour for this segment. The setpoint can be held constant or be changed with a ramp or a step function. Continuation to next segment is automatic or manual (define a hold time).
						0	time to set-point
						1	rate to set-point
						2	The final setpoint of the previous segment is kept constant for the duration 'Pt'.
						3	step to set-point
						4	time to set-point and wait
						5	rate to set-point and wait
						6	The final setpoint of the previous segment is kept constant for the duration 'Pt'. At the end of a segment, the programmer enters the Stop mode (Run LED is off), and can be restarted by pressing the Start/Stop key (more than 3 s), via the interface, or a digital input.
						7	step to set-point and wait
						8	The last segment in a program is the end segment. When the end segment has been reached, the last setpoint is maintained.

SP	r/w	base 1dP 2dP 3dP	6110 14302 22494 30686	44988	Float	-1 ... <input type="checkbox"/>	End setpoint of segment 5. This is the target setpoint that is reached at the end of the fifth segment. The target setpoint is approached from the previous valid setpoint. When the program is completed, the controller continues with the last target setpoint reached.
Pt	r/w	base 1dP 2dP 3dP	6111 14303 22495 30687	44990	Float	0... <input type="checkbox"/>	Segment time/gradient 5. The duration of a segment can be defined directly, or by using the segment time and the setpoint difference (SP – segment starting setpoint). Whether the setting is for segment time or the gradient, is defined by means of the segment type parameter (tYPE).
d.Out	r/w	base 1dP 2dP 3dP	6144 14336 22528 30720	45056	Enum	ENUM_Spuren	Control outputs 1...4 - 5. A program can control up to four digital signals: the control outputs 1...4. A combination of these signals can be assigned to every segment, whereby the signals are operated while the segment is running. For access to the controller's outputs, the signals must be assigned accordingly.
						0	0-0-0-0
						1	1-0-0-0
						2	0-1-0-0
						3	1-1-0-0
						4	0-0-1-0
						5	1-0-1-0
						6	0-1-1-0
						7	1-1-1-0
						8	0-0-0-1
						9	1-0-0-1
						10	0-1-0-1
						11	1-1-0-1
						12	0-0-1-1
						13	1-0-1-1
						14	0-1-1-1
						15	1-1-1-1

22 ProG

• PArA

Name	r/w	Adr.	Integer	real	Typ	Value/off	Description
tYPE	r/w	base	6145	45058	Enum	Enum_SegTyp	Segment type of segment 6. The segment type defines the setpoint behaviour for this segment. The setpoint can be held constant or be changed with a ramp or a step function. Continuation to next segment is automatic or manual (define a hold time).
		1dP	14337				
		2dP	22529				
		3dP	30721				

0	time to set-point
1	rate to set-point
2	The final setpoint of the previous segment is kept constant for the duration 'Pt'.
3	step to set-point
4	time to set-point and wait
5	rate to set-point and wait
6	The final setpoint of the previous segment is kept constant for the duration 'Pt'. At the end of a segment, the programmer enters the Stop mode (Run LED is off), and can be restarted by pressing the Start/Stop key (more than 3 s), via the interface, or a digital input.
7	step to set-point and wait
8	The last segment in a program is the end segment. When the end segment has been reached, the last setpoint is maintained.

SP	r/w	base	6112	44992	Float	-1 ...	<input type="checkbox"/>	End setpoint of segment 6. This is the target setpoint that is reached at the end of the sixth segment. The target setpoint is approached from the previous valid setpoint. When the program is completed, the controller continues with the last target setpoint reached.
		1dP	14304					
		2dP	22496					
		3dP	30688					
Pt	r/w	base	6113	44994	Float	0...	<input type="checkbox"/>	Segment time/gradient 6. The duration of a segment can be defined directly, or by using the segment time and the setpoint difference (SP – segment starting setpoint). Whether the setting is for segment time or the gradient, is defined by means of the segment type parameter (tYPE).
		1dP	14305					
		2dP	22497					
		3dP	30689					
d.Out	r/w	base	6146	45060	Enum	ENUM_Spuren		Control outputs 1...4 - 6. A program can control up to four digital signals: the control outputs 1...4. A combination of these signals can be assigned to every segment, whereby the signals are operated while the segment is running. For access to the controller's outputs, the signals must be assigned accordingly.
		1dP	14338					
		2dP	22530					
		3dP	30722					

0	0-0-0-0
1	1-0-0-0
2	0-1-0-0
3	1-1-0-0
4	0-0-1-0
5	1-0-1-0
6	0-1-1-0
7	1-1-1-0
8	0-0-0-1
9	1-0-0-1
10	0-1-0-1
11	1-1-0-1
12	0-0-1-1
13	1-0-1-1
14	0-1-1-1
15	1-1-1-1

22 ProG

• PArA

Name	r/w	Adr.	Integer	real	Typ	Value/off	Description
tYPE	r/w	base	6147	45062	Enum	Enum_SegTyp	Segment type of segment 7. The segment type defines the setpoint behaviour for this segment. The setpoint can be held constant or be changed with a ramp or a step function. Continuation to next segment is automatic or manual (define a hold time).
		1dP	14339				
		2dP	22531				
		3dP	30723				
						0	time to set-point
						1	rate to set-point
						2	The final setpoint of the previous segment is kept constant for the duration 'Pt'.
						3	step to set-point
						4	time to set-point and wait
						5	rate to set-point and wait
						6	The final setpoint of the previous segment is kept constant for the duration 'Pt'. At the end of a segment, the programmer enters the Stop mode (Run LED is off), and can be restarted by pressing the Start/Stop key (more than 3 s), via the interface, or a digital input.
						7	step to set-point and wait
						8	The last segment in a program is the end segment. When the end segment has been reached, the last setpoint is maintained.

SP	r/w	base	6114	44996	Float	-1 ...	<input type="checkbox"/>	End setpoint of segment 7. This is the target setpoint that is reached at the end of the seventh segment. The target setpoint is approached from the previous valid setpoint. When the program is completed, the controller continues with the last target setpoint reached.
		1dP	14306					
		2dP	22498					
		3dP	30690					
Pt	r/w	base	6115	44998	Float	0...	<input type="checkbox"/>	Segment time/gradient 7. The duration of a segment can be defined directly, or by using the segment time and the setpoint difference (SP – segment starting setpoint). Whether the setting is for segment time or the gradient, is defined by means of the segment type parameter (tYPE).
		1dP	14307					
		2dP	22499					
		3dP	30691					
d.Out	r/w	base	6148	45064	Enum	ENUM_Spuren		Control outputs 1...4 - 7. A program can control up to four digital signals: the control outputs 1...4. A combination of these signals can be assigned to every segment, whereby the signals are operated while the segment is running. For access to the controller's outputs, the signals must be assigned accordingly.
		1dP	14340					
		2dP	22532					
		3dP	30724					
						0	0-0-0-0	
						1	1-0-0-0	
						2	0-1-0-0	
						3	1-1-0-0	
						4	0-0-1-0	
						5	1-0-1-0	
						6	0-1-1-0	
						7	1-1-1-0	
						8	0-0-0-1	
						9	1-0-0-1	
						10	0-1-0-1	
						11	1-1-0-1	
						12	0-0-1-1	
						13	1-0-1-1	
						14	0-1-1-1	
						15	1-1-1-1	

22 ProG

• PArA

Name	r/w	Adr.	Integer	real	Typ	Value/off	Description
tYPE	r/w	base 1dP 2dP 3dP	6149 14341 22533 30725	45066	Enum	Enum_SegTyp	Segment type of segment 8. The segment type defines the setpoint behaviour for this segment. The setpoint can be held constant or be changed with a ramp or a step function. Continuation to next segment is automatic or manual (define a hold time).
						0	time to set-point
						1	rate to set-point
						2	The final setpoint of the previous segment is kept constant for the duration 'Pt'.
						3	step to set-point
						4	time to set-point and wait
						5	rate to set-point and wait
						6	The final setpoint of the previous segment is kept constant for the duration 'Pt'. At the end of a segment, the programmer enters the Stop mode (Run LED is off), and can be restarted by pressing the Start/Stop key (more than 3 s), via the interface, or a digital input.
						7	step to set-point and wait
						8	The last segment in a program is the end segment. When the end segment has been reached, the last setpoint is maintained.
SP	r/w	base 1dP 2dP 3dP	6116 14308 22500 30692	45000	Float	-1 ... <input type="checkbox"/>	End setpoint of segment 8. This is the target setpoint that is reached at the end of the eighth segment. The target setpoint is approached from the previous valid setpoint. When the program is completed, the controller continues with the last target setpoint reached.
Pt	r/w	base 1dP 2dP 3dP	6117 14309 22501 30693	45002	Float	0... <input type="checkbox"/>	Segment time/gradient 8. The duration of a segment can be defined directly, or by using the segment time and the setpoint difference (SP – segment starting setpoint). Whether the setting is for segment time or the gradient, is defined by means of the segment type parameter (tYPE).
d.Out	r/w	base 1dP 2dP 3dP	6150 14342 22534 30726	45068	Enum	ENUM_Spuren	Control outputs 1...4 - 8. A program can control up to four digital signals: the control outputs 1...4. A combination of these signals can be assigned to every segment, whereby the signals are operated while the segment is running. For access to the controller's outputs, the signals must be assigned accordingly.
						0	0-0-0-0
						1	1-0-0-0
						2	0-1-0-0
						3	1-1-0-0
						4	0-0-1-0
						5	1-0-1-0
						6	0-1-1-0
						7	1-1-1-0
						8	0-0-0-1
						9	1-0-0-1
						10	0-1-0-1
						11	1-1-0-1
						12	0-0-1-1
						13	1-0-1-1
						14	0-1-1-1
						15	1-1-1-1

22 ProG

• PArA

Name	r/w	Adr.	Integer	real	Typ	Value/off	Description
tYPE	r/w	base 1dP 2dP 3dP	6151 14343 22535 30727	45070	Enum	Enum_SegTyp	Segment type of segment 9. The segment type defines the setpoint behaviour for this segment. The setpoint can be held constant or be changed with a ramp or a step function. Continuation to next segment is automatic or manual (define a hold time).
						0	time to set-point
						1	rate to set-point
						2	The final setpoint of the previous segment is kept constant for the duration 'Pt'.
						3	step to set-point
						4	time to set-point and wait
						5	rate to set-point and wait
						6	The final setpoint of the previous segment is kept constant for the duration 'Pt'. At the end of a segment, the programmer enters the Stop mode (Run LED is off), and can be restarted by pressing the Start/Stop key (more than 3 s), via the interface, or a digital input.
						7	step to set-point and wait
						8	The last segment in a program is the end segment. When the end segment has been reached, the last setpoint is maintained.
SP	r/w	base 1dP 2dP 3dP	6118 14310 22502 30694	45004	Float	-1 ... <input type="checkbox"/>	End setpoint of segment 9. This is the target setpoint that is reached at the end of the ninth segment. The target setpoint is approached from the previous valid setpoint. When the program is completed, the controller continues with the last target setpoint reached.
Pt	r/w	base 1dP 2dP 3dP	6119 14311 22503 30695	45006	Float	0... <input type="checkbox"/>	Segment time/gradient 9. The duration of a segment can be defined directly, or by using the segment time and the setpoint difference (SP – segment starting setpoint). Whether the setting is for segment time or the gradient, is defined by means of the segment type parameter (tYPE).
d.Out	r/w	base 1dP 2dP 3dP	6152 14344 22536 30728	45072	Enum	ENUM_Spuren	Control outputs 1...4 - 9. A program can control up to four digital signals: the control outputs 1...4. A combination of these signals can be assigned to every segment, whereby the signals are operated while the segment is running. For access to the controller's outputs, the signals must be assigned accordingly.
						0	0-0-0-0
						1	1-0-0-0
						2	0-1-0-0
						3	1-1-0-0
						4	0-0-1-0
						5	1-0-1-0
						6	0-1-1-0
						7	1-1-1-0
						8	0-0-0-1
						9	1-0-0-1
						10	0-1-0-1
						11	1-1-0-1
						12	0-0-1-1
						13	1-0-1-1
						14	0-1-1-1
						15	1-1-1-1

22 ProG

• PArA

Name	r/w	Adr.	Integer	real	Typ	Value/off	Description
tYPE	r/w	base 1dP 2dP 3dP	6153 14345 22537 30729	45074	Enum	Enum_SegTyp	Segment type of segment 10. The segment type defines the setpoint behaviour for this segment. The setpoint can be held constant or be changed with a ramp or a step function. Continuation to next segment is automatic or manual (define a hold time).
						0	time to set-point
						1	rate to set-point
						2	The final setpoint of the previous segment is kept constant for the duration 'Pt'.
						3	step to set-point
						4	time to set-point and wait
						5	rate to set-point and wait
						6	The final setpoint of the previous segment is kept constant for the duration 'Pt'. At the end of a segment, the programmer enters the Stop mode (Run LED is off), and can be restarted by pressing the Start/Stop key (more than 3 s), via the interface, or a digital input.
						7	step to set-point and wait
						8	The last segment in a program is the end segment. When the end segment has been reached, the last setpoint is maintained.
SP	r/w	base 1dP 2dP 3dP	6120 14312 22504 30696	45008	Float	-1 ... <input type="checkbox"/>	End setpoint of segment 10. This is the target setpoint that is reached at the end of the tenth segment. The target setpoint is approached from the previous valid setpoint. When the program is completed, the controller continues with the last target setpoint reached.
Pt	r/w	base 1dP 2dP 3dP	6121 14313 22505 30697	45010	Float	0... <input type="checkbox"/>	Segment time/gradient 10. The duration of a segment can be defined directly, or by using the segment time and the setpoint difference (SP – segment starting setpoint). Whether the setting is for segment time or the gradient, is defined by means of the segment type parameter (tYPE).
d.Out	r/w	base 1dP 2dP 3dP	6154 14346 22538 30730	45076	Enum	ENUM_Spuren	Control outputs 1...4 - 10. A program can control up to four digital signals: the control outputs 1...4. A combination of these signals can be assigned to every segment, whereby the signals are operated while the segment is running. For access to the controller's outputs, the signals must be assigned accordingly.
						0	0-0-0-0
						1	1-0-0-0
						2	0-1-0-0
						3	1-1-0-0
						4	0-0-1-0
						5	1-0-1-0
						6	0-1-1-0
						7	1-1-1-0
						8	0-0-0-1
						9	1-0-0-1
						10	0-1-0-1
						11	1-1-0-1
						12	0-0-1-1
						13	1-0-1-1
						14	0-1-1-1
						15	1-1-1-1

22 ProG

• PArA

Name	r/w	Adr.	Integer	real	Typ	Value/off	Description
tYPE	r/w	base 1dP 2dP 3dP	6155 14347 22539 30731	45078	Enum	Enum_SegTyp	Segment type of segment 11. The segment type defines the setpoint behaviour for this segment. The setpoint can be held constant or be changed with a ramp or a step function. Continuation to next segment is automatic or manual (define a hold time).
						0	time to set-point
						1	rate to set-point
						2	The final setpoint of the previous segment is kept constant for the duration 'Pt'.
						3	step to set-point
						4	time to set-point and wait
						5	rate to set-point and wait
						6	The final setpoint of the previous segment is kept constant for the duration 'Pt'. At the end of a segment, the programmer enters the Stop mode (Run LED is off), and can be restarted by pressing the Start/Stop key (more than 3 s), via the interface, or a digital input.
						7	step to set-point and wait
						8	The last segment in a program is the end segment. When the end segment has been reached, the last setpoint is maintained.
SP	r/w	base 1dP 2dP 3dP	6122 14314 22506 30698	45012	Float	-1 ... <input type="checkbox"/>	End setpoint of segment 11. This is the target setpoint that is reached at the end of the eleventh segment. The target setpoint is approached from the previous valid setpoint. When the program is completed, the controller continues with the last target setpoint reached.
Pt	r/w	base 1dP 2dP 3dP	6123 14315 22507 30699	45014	Float	0... <input type="checkbox"/>	Segment time/gradient 11. The duration of a segment can be defined directly, or by using the segment time and the setpoint difference (SP – segment starting setpoint). Whether the setting is for segment time or the gradient, is defined by means of the segment type parameter (tYPE).
d.Out	r/w	base 1dP 2dP 3dP	6156 14348 22540 30732	45080	Enum	ENUM_Spuren	Control outputs 1...4 - 11. A program can control up to four digital signals: the control outputs 1...4. A combination of these signals can be assigned to every segment, whereby the signals are operated while the segment is running. For access to the controller's outputs, the signals must be assigned accordingly.
						0	0-0-0-0
						1	1-0-0-0
						2	0-1-0-0
						3	1-1-0-0
						4	0-0-1-0
						5	1-0-1-0
						6	0-1-1-0
						7	1-1-1-0
						8	0-0-0-1
						9	1-0-0-1
						10	0-1-0-1
						11	1-1-0-1
						12	0-0-1-1
						13	1-0-1-1
						14	0-1-1-1
						15	1-1-1-1

22 ProG

• PArA

Name	r/w	Adr.	Integer	real	Typ	Value/off	Description
tYPE	r/w	base 1dP 2dP 3dP	6157 14349 22541 30733	45082	Enum	Enum_SegTyp	Segment type of segment 12. The segment type defines the setpoint behaviour for this segment. The setpoint can be held constant or be changed with a ramp or a step function. Continuation to next segment is automatic or manual (define a hold time).
						0	time to set-point
						1	rate to set-point
						2	The final setpoint of the previous segment is kept constant for the duration 'Pt'.
						3	step to set-point
						4	time to set-point and wait
						5	rate to set-point and wait
						6	The final setpoint of the previous segment is kept constant for the duration 'Pt'. At the end of a segment, the programmer enters the Stop mode (Run LED is off), and can be restarted by pressing the Start/Stop key (more than 3 s), via the interface, or a digital input.
						7	step to set-point and wait
						8	The last segment in a program is the end segment. When the end segment has been reached, the last setpoint is maintained.
SP	r/w	base 1dP 2dP 3dP	6124 14316 22508 30700	45016	Float	-1 ... <input type="checkbox"/>	End setpoint of segment 12. This is the target setpoint that is reached at the end of the twelfth segment. The target setpoint is approached from the previous valid setpoint. When the program is completed, the controller continues with the last target setpoint reached.
Pt	r/w	base 1dP 2dP 3dP	6125 14317 22509 30701	45018	Float	0... <input type="checkbox"/>	Segment time/gradient 12. The duration of a segment can be defined directly, or by using the segment time and the setpoint difference (SP – segment starting setpoint). Whether the setting is for segment time or the gradient, is defined by means of the segment type parameter (tYPE).
d.Out	r/w	base 1dP 2dP 3dP	6158 14350 22542 30734	45084	Enum	ENUM_Spuren	Control outputs 1...4 - 12. A program can control up to four digital signals: the control outputs 1...4. A combination of these signals can be assigned to every segment, whereby the signals are operated while the segment is running. For access to the controller's outputs, the signals must be assigned accordingly.
						0	0-0-0-0
						1	1-0-0-0
						2	0-1-0-0
						3	1-1-0-0
						4	0-0-1-0
						5	1-0-1-0
						6	0-1-1-0
						7	1-1-1-0
						8	0-0-0-1
						9	1-0-0-1
						10	0-1-0-1
						11	1-1-0-1
						12	0-0-1-1
						13	1-0-1-1
						14	0-1-1-1
						15	1-1-1-1

22 ProG

• PArA

Name	r/w	Adr.	Integer	real	Typ	Value/off	Description
tYPE	r/w	base 1dP 2dP 3dP	6159 14351 22543 30735	45086	Enum	Enum_SegTyp	Segment type of segment 13. The segment type defines the setpoint behaviour for this segment. The setpoint can be held constant or be changed with a ramp or a step function. Continuation to next segment is automatic or manual (define a hold time).
						0	time to set-point
						1	rate to set-point
						2	The final setpoint of the previous segment is kept constant for the duration 'Pt'.
						3	step to set-point
						4	time to set-point and wait
						5	rate to set-point and wait
						6	The final setpoint of the previous segment is kept constant for the duration 'Pt'. At the end of a segment, the programmer enters the Stop mode (Run LED is off), and can be restarted by pressing the Start/Stop key (more than 3 s), via the interface, or a digital input.
						7	step to set-point and wait
						8	The last segment in a program is the end segment. When the end segment has been reached, the last setpoint is maintained.
SP	r/w	base 1dP 2dP 3dP	6126 14318 22510 30702	45020	Float	-1 ... <input type="checkbox"/>	End setpoint of segment 13. This is the target setpoint that is reached at the end of the 13th segment. The target setpoint is approached from the previous valid setpoint. When the program is completed, the controller continues with the last target setpoint reached.
Pt	r/w	base 1dP 2dP 3dP	6127 14319 22511 30703	45022	Float	0... <input type="checkbox"/>	Segment time/gradient 13. The duration of a segment can be defined directly, or by using the segment time and the setpoint difference (SP – segment starting setpoint). Whether the setting is for segment time or the gradient, is defined by means of the segment type parameter (tYPE).
d.Out	r/w	base 1dP 2dP 3dP	6160 14352 22544 30736	45088	Enum	ENUM_Spuren	Control outputs 1...4 - 13. A program can control up to four digital signals: the control outputs 1...4. A combination of these signals can be assigned to every segment, whereby the signals are operated while the segment is running. For access to the controller's outputs, the signals must be assigned accordingly.
						0	0-0-0-0
						1	1-0-0-0
						2	0-1-0-0
						3	1-1-0-0
						4	0-0-1-0
						5	1-0-1-0
						6	0-1-1-0
						7	1-1-1-0
						8	0-0-0-1
						9	1-0-0-1
						10	0-1-0-1
						11	1-1-0-1
						12	0-0-1-1
						13	1-0-1-1
						14	0-1-1-1
						15	1-1-1-1

22 ProG

• PArA

Name	r/w	Adr.	Integer	real	Typ	Value/off	Description
tYPE	r/w	base 1dP 2dP 3dP	6161 14353 22545 30737	45090	Enum	Enum_SegTyp	Segment type of segment 14. The segment type defines the setpoint behaviour for this segment. The setpoint can be held constant or be changed with a ramp or a step function. Continuation to next segment is automatic or manual (define a hold time).
						0	time to set-point
						1	rate to set-point
						2	The final setpoint of the previous segment is kept constant for the duration 'Pt'.
						3	step to set-point
						4	time to set-point and wait
						5	rate to set-point and wait
						6	The final setpoint of the previous segment is kept constant for the duration 'Pt'. At the end of a segment, the programmer enters the Stop mode (Run LED is off), and can be restarted by pressing the Start/Stop key (more than 3 s), via the interface, or a digital input.
						7	step to set-point and wait
						8	The last segment in a program is the end segment. When the end segment has been reached, the last setpoint is maintained.
SP	r/w	base 1dP 2dP 3dP	6128 14320 22512 30704	45024	Float	-1 ... <input type="checkbox"/>	End setpoint of segment 14. This is the target setpoint that is reached at the end of the 14th segment. The target setpoint is approached from the previous valid setpoint. When the program is completed, the controller continues with the last target setpoint reached.
Pt	r/w	base 1dP 2dP 3dP	6129 14321 22513 30705	45026	Float	0... <input type="checkbox"/>	Segment time/gradient 14. The duration of a segment can be defined directly, or by using the segment time and the setpoint difference (SP – segment starting setpoint). Whether the setting is for segment time or the gradient, is defined by means of the segment type parameter (tYPE).
d.Out	r/w	base 1dP 2dP 3dP	6162 14354 22546 30738	45092	Enum	ENUM_Spuren	Control outputs 1...4 - 14. A program can control up to four digital signals: the control outputs 1...4. A combination of these signals can be assigned to every segment, whereby the signals are operated while the segment is running. For access to the controller's outputs, the signals must be assigned accordingly.
						0	0-0-0-0
						1	1-0-0-0
						2	0-1-0-0
						3	1-1-0-0
						4	0-0-1-0
						5	1-0-1-0
						6	0-1-1-0
						7	1-1-1-0
						8	0-0-0-1
						9	1-0-0-1
						10	0-1-0-1
						11	1-1-0-1
						12	0-0-1-1
						13	1-0-1-1
						14	0-1-1-1
						15	1-1-1-1

22 ProG

• PArA

Name	r/w	Adr.	Integer	real	Typ	Value/off	Description
tYPE	r/w	base 1dP 2dP 3dP	6163 14355 22547 30739	45094	Enum	Enum_SegTyp	Segment type of segment 15. The segment type defines the setpoint behaviour for this segment. The setpoint can be held constant or be changed with a ramp or a step function. Continuation to next segment is automatic or manual (define a hold time).
						0	time to set-point
						1	rate to set-point
						2	The final setpoint of the previous segment is kept constant for the duration 'Pt'.
						3	step to set-point
						4	time to set-point and wait
						5	rate to set-point and wait
						6	The final setpoint of the previous segment is kept constant for the duration 'Pt'. At the end of a segment, the programmer enters the Stop mode (Run LED is off), and can be restarted by pressing the Start/Stop key (more than 3 s), via the interface, or a digital input.
						7	step to set-point and wait
						8	The last segment in a program is the end segment. When the end segment has been reached, the last setpoint is maintained.
SP	r/w	base 1dP 2dP 3dP	6130 14322 22514 30706	45028	Float	-1 ... <input type="checkbox"/>	End setpoint of segment 15. This is the target setpoint that is reached at the end of the 15th segment. The target setpoint is approached from the previous valid setpoint. When the program is completed, the controller continues with the last target setpoint reached.
Pt	r/w	base 1dP 2dP 3dP	6131 14323 22515 30707	45030	Float	0... <input type="checkbox"/>	Segment time/gradient 15. The duration of a segment can be defined directly, or by using the segment time and the setpoint difference (SP – segment starting setpoint). Whether the setting is for segment time or the gradient, is defined by means of the segment type parameter (tYPE).
d.Out	r/w	base 1dP 2dP 3dP	6164 14356 22548 30740	45096	Enum	ENUM_Spuren	Control outputs 1...4 - 15. A program can control up to four digital signals: the control outputs 1...4. A combination of these signals can be assigned to every segment, whereby the signals are operated while the segment is running. For access to the controller's outputs, the signals must be assigned accordingly.
						0	0-0-0-0
						1	1-0-0-0
						2	0-1-0-0
						3	1-1-0-0
						4	0-0-1-0
						5	1-0-1-0
						6	0-1-1-0
						7	1-1-1-0
						8	0-0-0-1
						9	1-0-0-1
						10	0-1-0-1
						11	1-1-0-1
						12	0-0-1-1
						13	1-0-1-1
						14	0-1-1-1
						15	1-1-1-1

22 ProG

• PArA

Name	r/w	Adr.	Integer	real	Typ	Value/off	Description
tYPE	r/w	base 1dP 2dP 3dP	6165 14357 22549 30741	45098	Enum	Enum_SegTyp	Segment type of segment 16. The segment type defines the setpoint behaviour for this segment. The setpoint can be held constant or be changed with a ramp or a step function. Continuation to next segment is automatic or manual (define a hold time).
						0	time to set-point
						1	rate to set-point
						2	The final setpoint of the previous segment is kept constant for the duration 'Pt'.
						3	step to set-point
						4	time to set-point and wait
						5	rate to set-point and wait
						6	The final setpoint of the previous segment is kept constant for the duration 'Pt'. At the end of a segment, the programmer enters the Stop mode (Run LED is off), and can be restarted by pressing the Start/Stop key (more than 3 s), via the interface, or a digital input.
						7	step to set-point and wait
						8	The last segment in a program is the end segment. When the end segment has been reached, the last setpoint is maintained.
SP	r/w	base 1dP 2dP 3dP	6132 14324 22516 30708	45032	Float	-1 ... <input type="checkbox"/>	End setpoint of segment 16. This is the target setpoint that is reached at the end of the 16th segment. The target setpoint is approached from the previous valid setpoint. When the program is completed, the controller continues with the last target setpoint reached.
Pt	r/w	base 1dP 2dP 3dP	6133 14325 22517 30709	45034	Float	0... <input type="checkbox"/>	Segment time/gradient 16. The duration of a segment can be defined directly, or by using the segment time and the setpoint difference (SP – segment starting setpoint). Whether the setting is for segment time or the gradient, is defined by means of the segment type parameter (tYPE).
d.Out	r/w	base 1dP 2dP 3dP	6166 14358 22550 30742	45100	Enum	ENUM_Spuren	Control outputs 1...4 - 16. A program can control up to four digital signals: the control outputs 1...4. A combination of these signals can be assigned to every segment, whereby the signals are operated while the segment is running. For access to the controller's outputs, the signals must be assigned accordingly.
						0	0-0-0-0
						1	1-0-0-0
						2	0-1-0-0
						3	1-1-0-0
						4	0-0-1-0
						5	1-0-1-0
						6	0-1-1-0
						7	1-1-1-0
						8	0-0-0-1
						9	1-0-0-1
						10	0-1-0-1
						11	1-1-0-1
						12	0-0-1-1
						13	1-0-1-1
						14	0-1-1-1
						15	1-1-1-1

22 ProG

• Signal

Name	r/w	Adr.	Integer	real	Typ	Value/off	Description
St.Prog	r	base 1dP 2dP 3dP	6050 14242 22434 30626	44868	Int	0...255	<input type="checkbox"/> The programmer's status contains bit-wise coded data, e.g. which point of the program sequence the program has reached.
Bit 0,1,2 Type of segment 0: rising 1: falling 2: hold (dwell) Bit 3 Program 'Run' Bit 4 Program 'End' Bit 5 Program 'Reset' Bit 6 Program 'StartFlankMissing' Bit 7 Program 'BandHold + FailHold' Bit 8 Program active							
SP.Pr	r	base 1dP 2dP 3dP	6051 14243 22435 30627	44870	Float	-1 0...	<input type="checkbox"/> The programmer's setpoint is displayed as the effective setpoint while the program is running.
T1.Pr	r	base 1dP 2dP 3dP	6052 14244 22436 30628	44872	Float	0...	<input type="checkbox"/> Only with a running program. The net (elapsed) time of the programmer is shown in a simplified form as time elapsed since program start. Caution: Stop times are not counted! If the first segment is defined as a gradient, the program starts at the process value, whereby the offset is defined as the time that the controller would have needed with the gradient beginning at the setpoint valid at program start.
T3.Pr	r	base 1dP 2dP 3dP	6053 14245 22437 30629	44874	Float	0...	<input type="checkbox"/> Only with running program. The remaining programmer time is given by the sum of the currently running segment plus the times of the remaining program segments (without hold times).
T2.Pr	r	base 1dP 2dP 3dP	6054 14246 22438 30630	44876	Float	0...	<input type="checkbox"/> Only while program is running. The net segment time corresponds to the elapsed segment time. Caution: Stop times are not counted! If the first segment has been defined as a gradient, the start commences at process value, and the offset specified for the first segment corresponds to the time that the controller would have required with a gradient beginning at the actual process value when the program was started.
T4.Pr	r	base 1dP 2dP 3dP	6055 14247 22439 30631	44878	Float	0...	<input type="checkbox"/> Only with running program. The remaining time of the running program segment (without hold times).
SG.Pr	r	base 1dP 2dP 3dP	6056 14248 22440 30632	44880	Int	0...16	<input type="checkbox"/> A program consists of one or more segments which are arranged and defined by means of the segment numbers. By means of the segment number(s), the program can be changed quickly and specifically at the required point.
Pr.SG	r/w	base 1dP 2dP 3dP	6060 14252 22444 30636	44888	Int	1...16	<input checked="" type="checkbox"/> Segment number for Preset. Preset involves starting the selected program with a different segment than the normal (1st) start segment. The starting setpoint of the preset segment becomes effective immediately, i.e. the program is not started. To use the Preset function, the programmer must be in the Stop or Reset state.

22 ProG

• Signal

Name	r/w	Adr.	Integer	real	Typ	Value/off	Description	
Pr.EF	r	base	6057	44882	Int	0...16	<input type="checkbox"/>	Number of the active program. The program remains active until a reset or a new start is triggered.
		1dP	14249					
		2dP	22441					
		3dP	30633					
SP.En	r	base	6058	44884	Float	-1 ...	<input type="checkbox"/>	
		1dP	14250					
		2dP	22442					
		3dP	30634					

23 SEtP

• PArA

Name	r/w	Adr.	Integer	real	Typ	Value/off	Description	
SP.LO	r/w	base	3100	38968	Float	-1 ...	<input type="checkbox"/>	Lower setpoint limit. The setpoint is raised to this value automatically, if a lower setpoint is adjusted. BUT: The (safety) setpoint W2 is not restricted by the setpoint limits! The setpoint reserve for the step function is 10% of SPHi - SPLo.
		1dP	11292					
		2dP	19484					
		3dP	27676					
SP.Hi	r/w	base	3101	38970	Float	-1 ...	<input type="checkbox"/>	Upper setpoint limit. The setpoint is reduced to this value automatically, if a higher setpoint is adjusted. BUT: The (safety) setpoint W2 is not restricted by the setpoint limits! The setpoint reserve for the step function is 10% of SPHi - SPLo.
		1dP	11293					
		2dP	19485					
		3dP	27677					
SP.2	r/w	base	3102	38972	Float	-1 ...	<input type="checkbox"/>	Second (safety) setpoint. Ramp function as with other setpoints (effective, external). However, SP2 is not restricted by the setpoint limits.
		1dP	11294					
		2dP	19486					
		3dP	27678					
r.SP	r/w	base	3103	38974	Float	0.01...	<input checked="" type="checkbox"/>	Setpoint gradient [/min] or ramp. Max. rate of change in order to avoid step changes of the setpoint. The gradient acts in the positive and negative directions. Note for self-tuning: with activated gradient function, the setpoint gradient is started from the process value, so that there is no sufficient setpoint reserve.
		1dP	11295					
		2dP	19487					
		3dP	27679					

• Signal

Name	r/w	Adr.	Integer	real	Typ	Value/off	Description	
SP.EF	r	base	3170	39108	Float	-1 ...	<input type="checkbox"/>	Effective setpoint. The value reached at the end of setpoint processing, after taking W2, external setpoint, gradient, boost function, programmer settings, start-up function, and limit functions into account. Comparison with the effective process value leads to the control deviation, from which the necessary controller response is derived.
		1dP	11362					
		2dP	19554					
		3dP	27746					
Diff	r	base	3171	39110	Float	-1 ...	<input type="checkbox"/>	Difference between the effective setpoint and setpoint 2.
		1dP	11363					
		2dP	19555					
		3dP	27747					

23 SETP

• Signal

Name	r/w	Adr.	Integer	real	Typ	Value/off	Description
SP	r/w	base	3180	39128	Float	-1 ...	<input type="checkbox"/> Setpoint for the interface (without the additional function 'Controller off'). SetpInterface acts on the internal setpoint before the setpoint processing stage. Note: The value in RAM is always updated. To protect the EEPROM, storage of the value in the EEPROM is timed (at least one value per half hour).
		1dP	11372				
		2dP	19564				
		3dP	27756				
SP.d	r/w	base	3181	39130	Float	-1 ...	<input type="checkbox"/> The effective setpoint is shifted by this value. In this way, the setpoints of several controllers can be shifted together, regardless of the individually adjusted effective setpoints.
		1dP	11373				
		2dP	19565				
		3dP	27757				

24 Tool

• ConF

Name	r/w	Adr.	Integer	real	Typ	Value/off	Description
U.LinT	r/w	base	634	34036	Enum	Enum_Unit	Engineering unit of linearization table (temperature).
		1dP	8826				
		2dP	17018				
		3dP	25210				
						0	without unit
						1	°C
						2	°F



Subject to alterations without notice
Änderungen vorbehalten
Sous réserve de toutes modifications

© PMA Prozeß- und Maschinen-Automation GmbH
P.O.B. 310 229, D-34058 Kassel, Germany
Printed in Germany 9499-040-63711 (02/2005)

A4, unbind, SW-Druck, 80g² weiß